

ORDIZ MELBY
ARCHITECTS, INC.

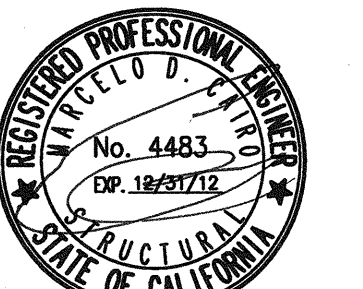
5500 MING AVENUE SUITE 280
BAKERSFIELD, CALIFORNIA 93309
TELEPHONE (661) 832-5258
FACSIMILE (661) 832-4291



Dan E. Ordiz
DAN E. ORDIZ, AIA
ARCHITECT C-14,728
WILLIAM J. MELBY, AIA
ARCHITECT C-16,835

IDENTIFICATION STAMP
DIVISION OF STATE ARCHITECT
OFFICE OF REGULATION SERVICES
APPL. #: 02-112027
FILE #: 15-6
AC. FLS. SS. CE.
DATE JAN 20 2012
PTN # 63321-112

MARTIN & ASSOCIATES
JOHN A. MARTIN & ASSOCIATES
Structural Engineers
2929 The Old Road, Ste. 316
Simonsen Ranch, Ca 91381
Phone (661) 260-2646
Fax (661) 260-2649
JAMA JOB #13145



NEW ELEMENTARY SCHOOL
9801 HIGHLAND KNOLLS DR.
BAKERSFIELD CALIFORNIA 93306

NEW MIDDLE SCHOOL
4115 VINELAND ROAD
BAKERSFIELD CALIFORNIA 93306

FOR: BAKERSFIELD CITY SCHOOL DISTRICT

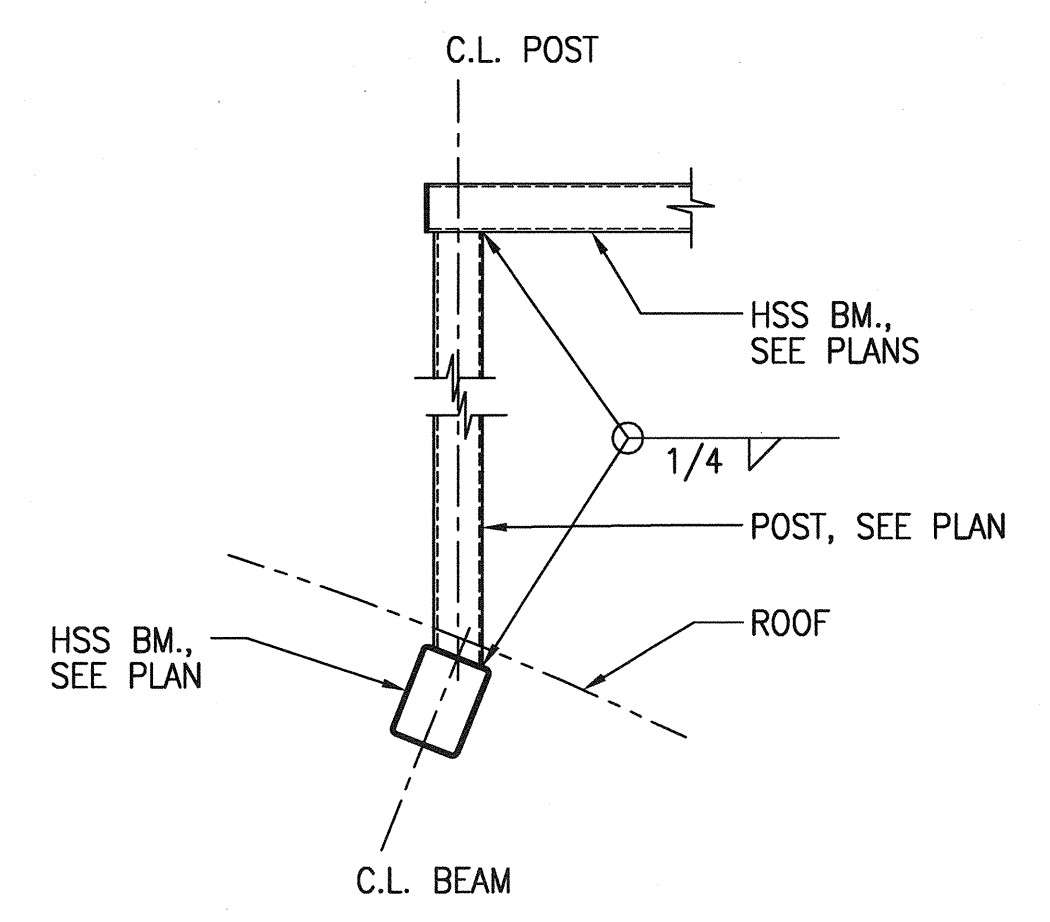
1300 BAKER STREET BAKERSFIELD CALIFORNIA 93305

MARK	DATE	DESCRIPTION
△		
△		
△		
△		

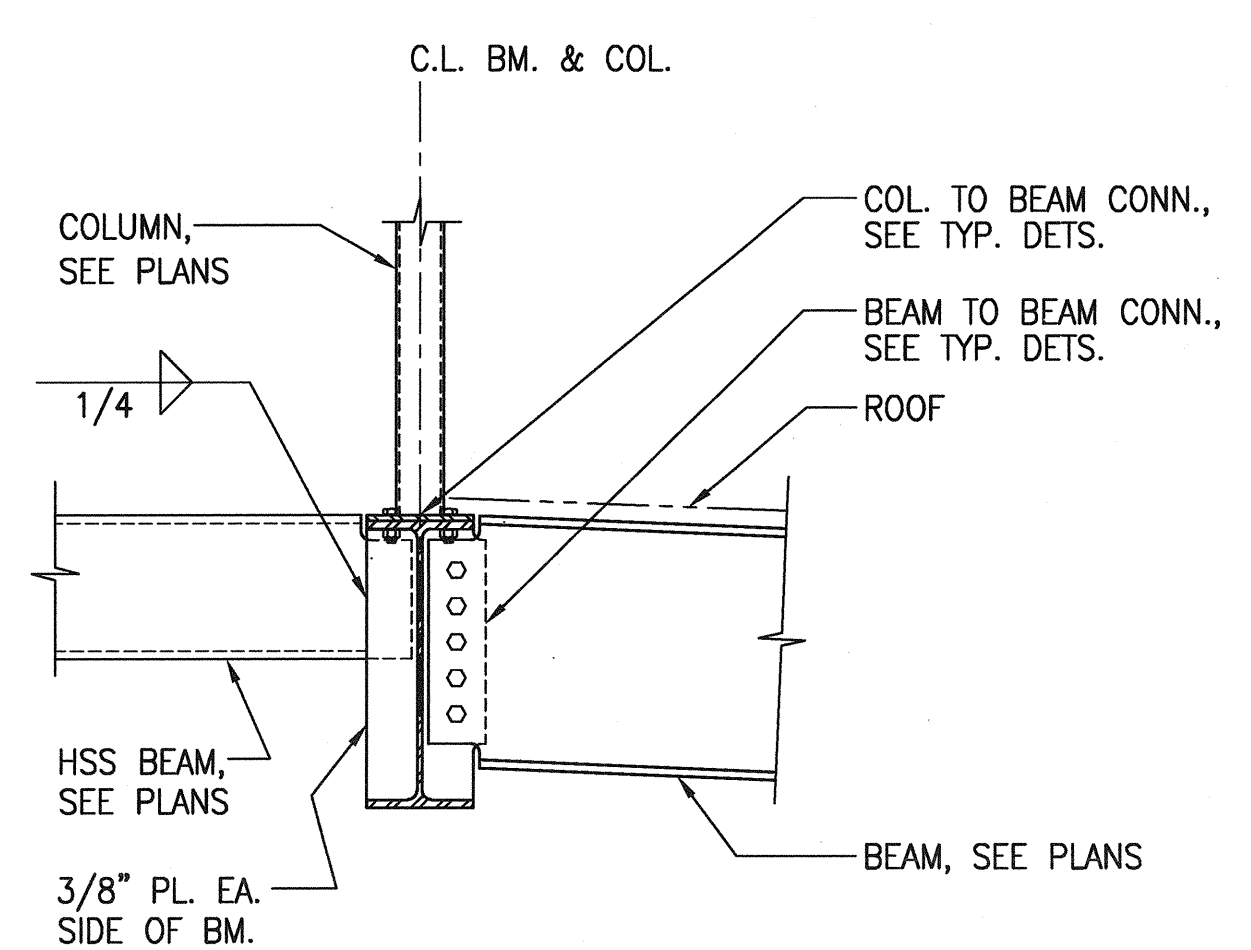
JOB NUMBER: 20101244
CAL DRAWING FILE
DRAWN BY: RH
CHECKED BY: MDC
CHECK AND VERIFY ALL DIMENSIONS BEFORE PROCEEDING WITH THE WORK. REPORT DISCREPANCIES TO THE ARCHITECT.
THE DRAWINGS, IDEAS, AND DESIGNS REPRESENTED ON THIS SHEET ARE THE PROPERTY OF THE ARCHITECT.
COPYRIGHT ORDIZ MELBY ARCHITECTS, INC. 2010
SHEET TITLE

SECTIONS & DETAILS

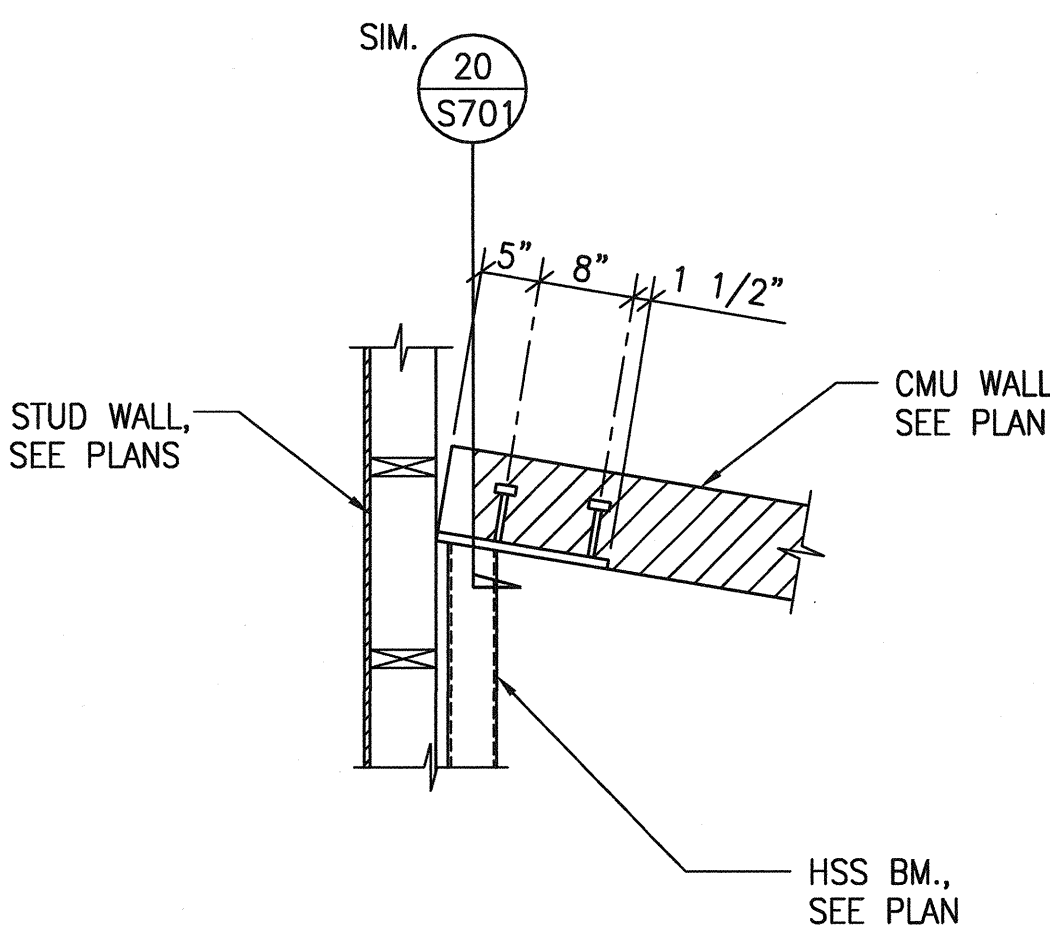
SHEET IDENTIFICATION NUMBER
S704



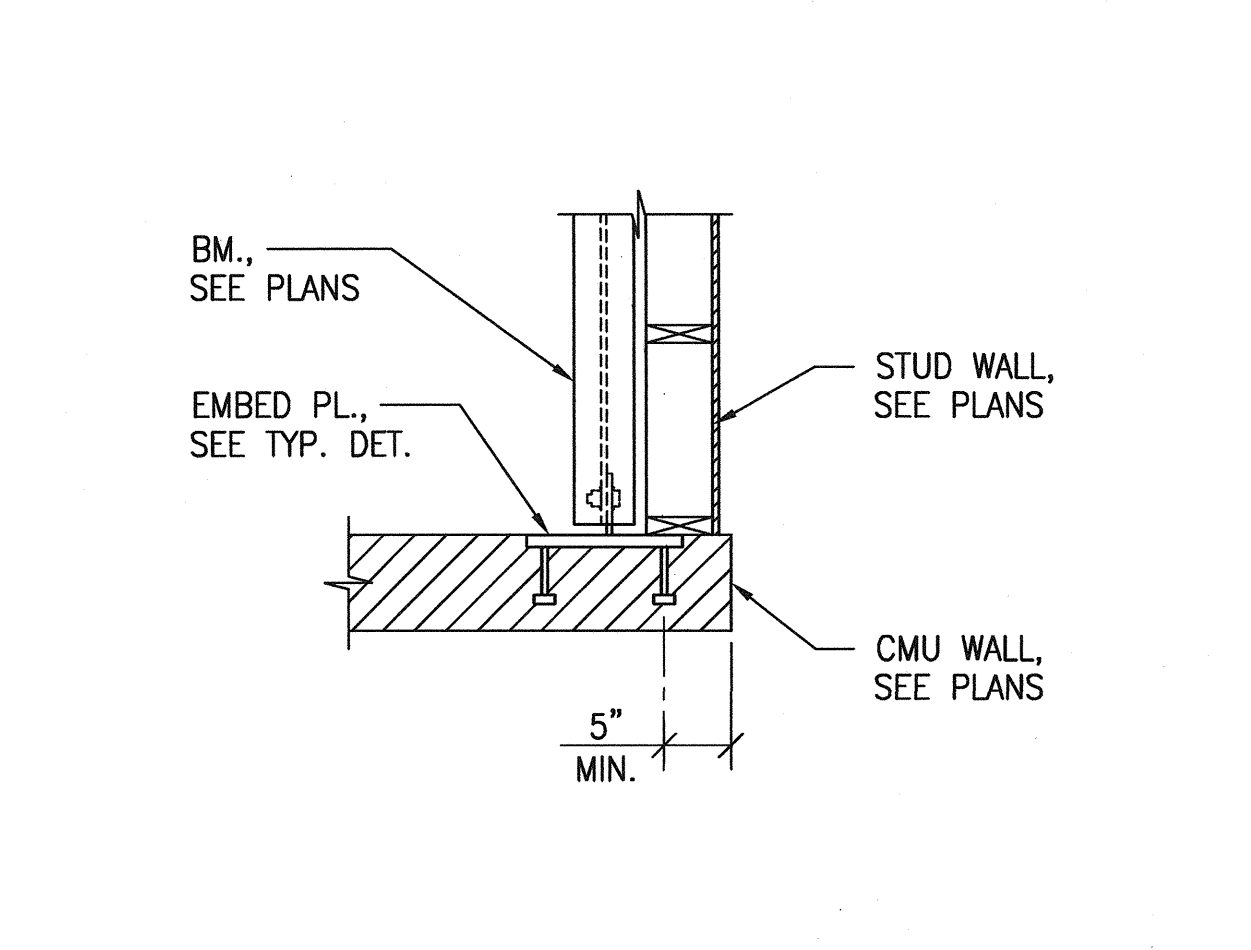
SECTION 2
N.T.S.



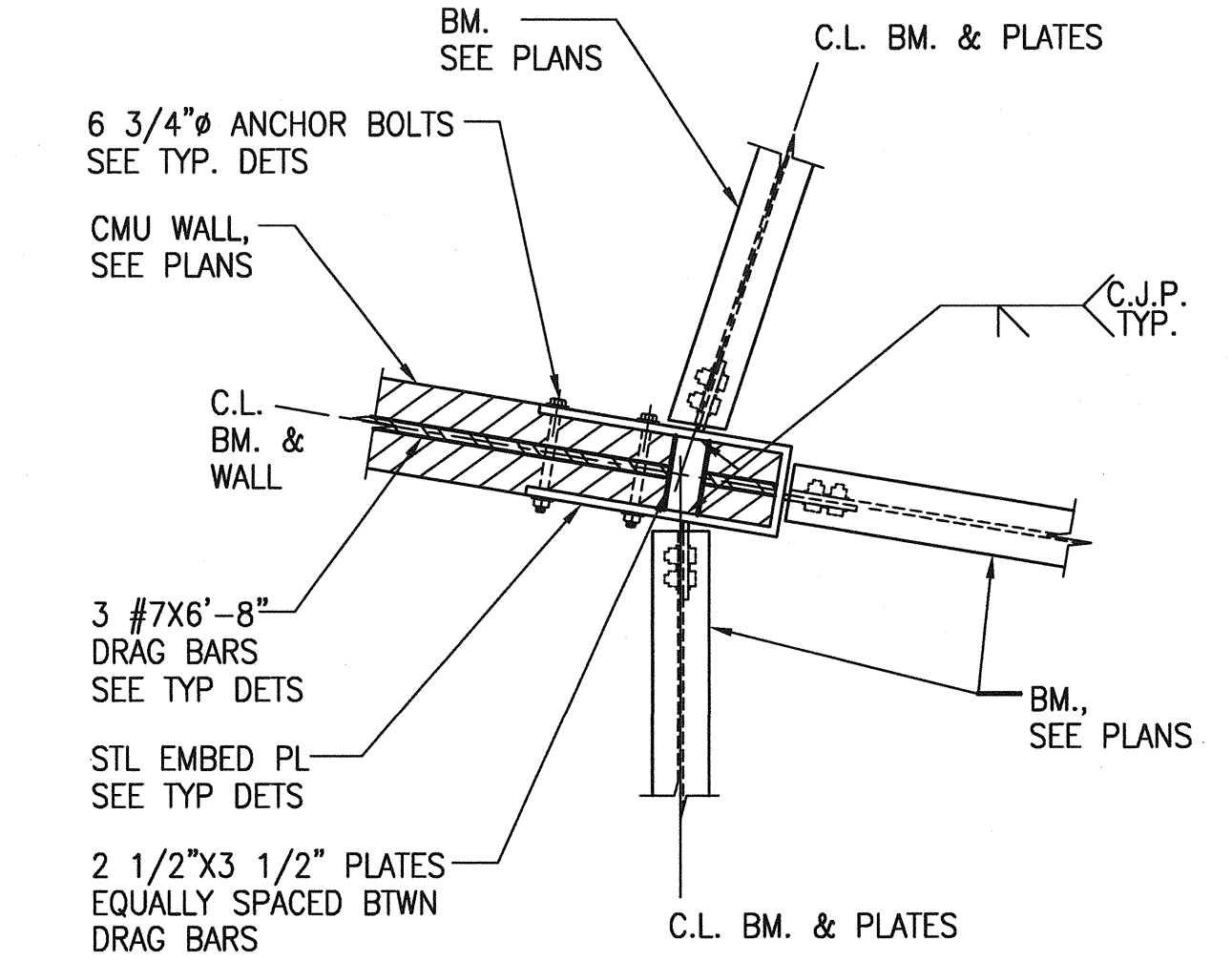
SECTION 1
N.T.S.



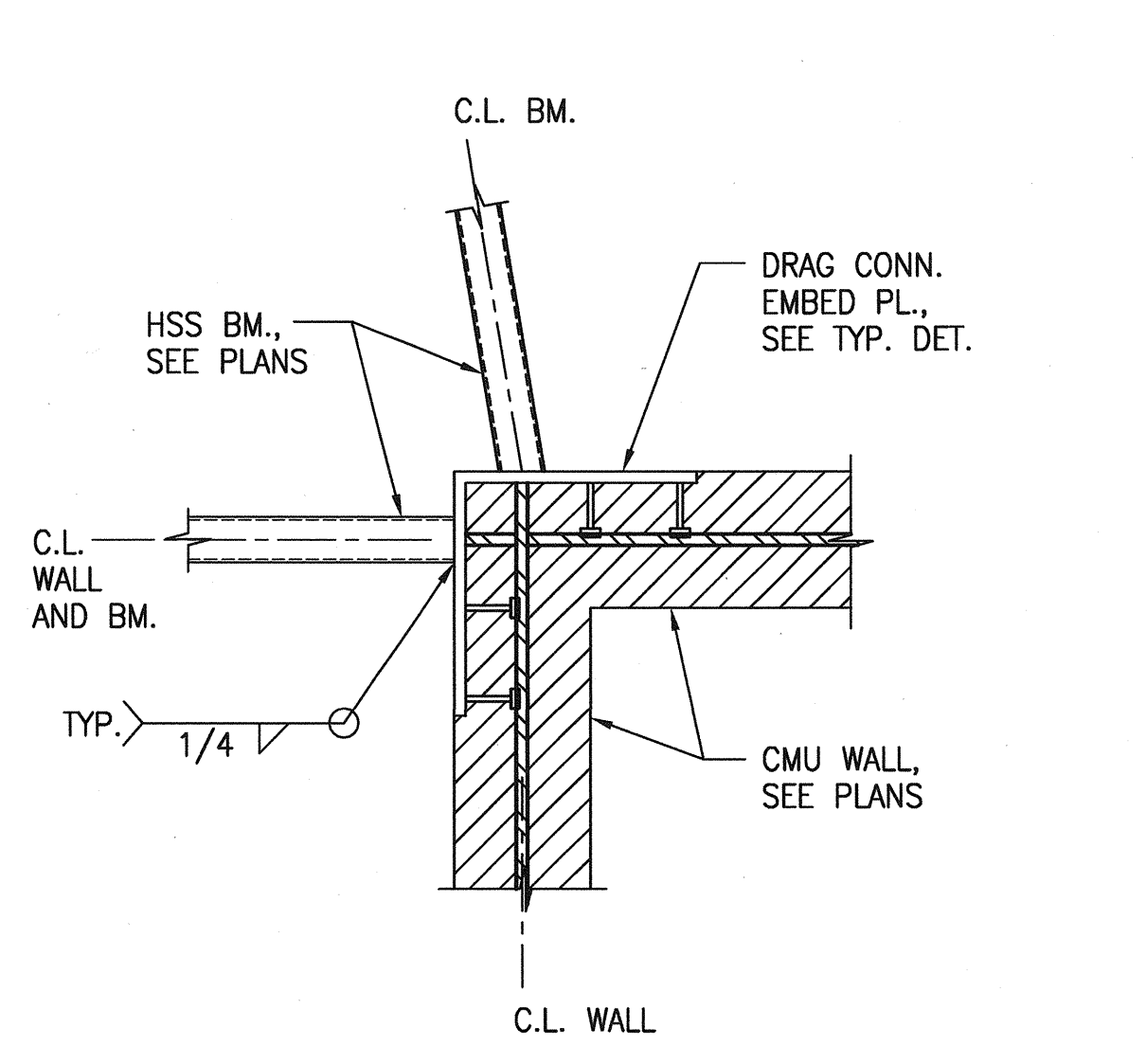
SECTION 7
N.T.S.



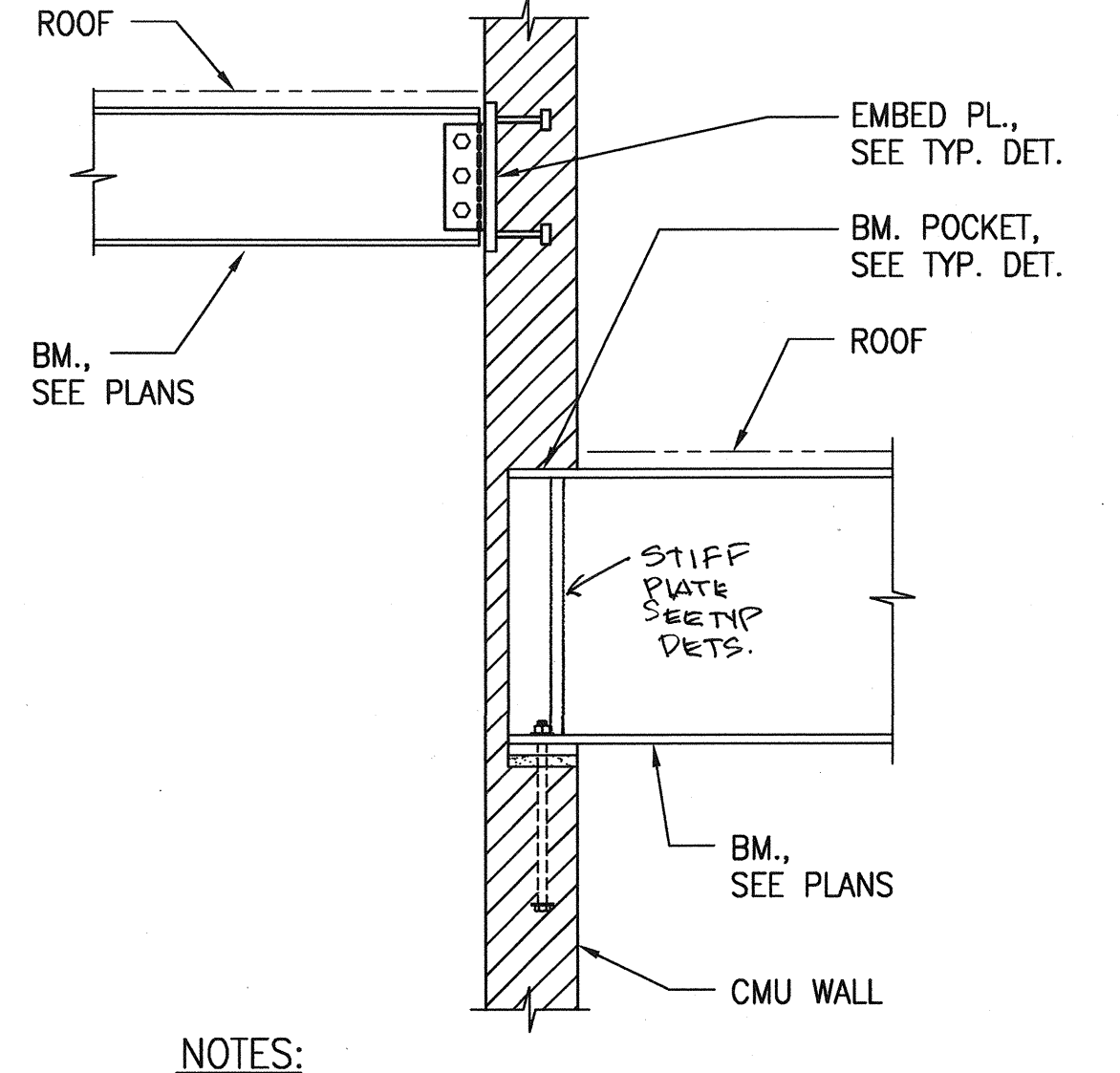
SECTION 6
N.T.S.



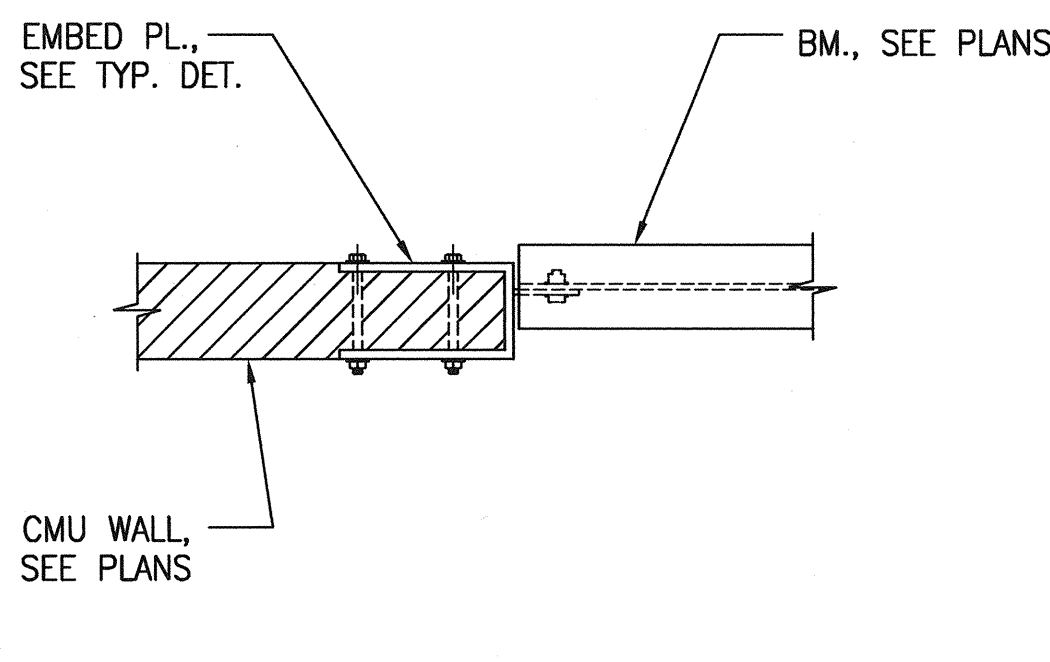
SECTION 8
N.T.S.



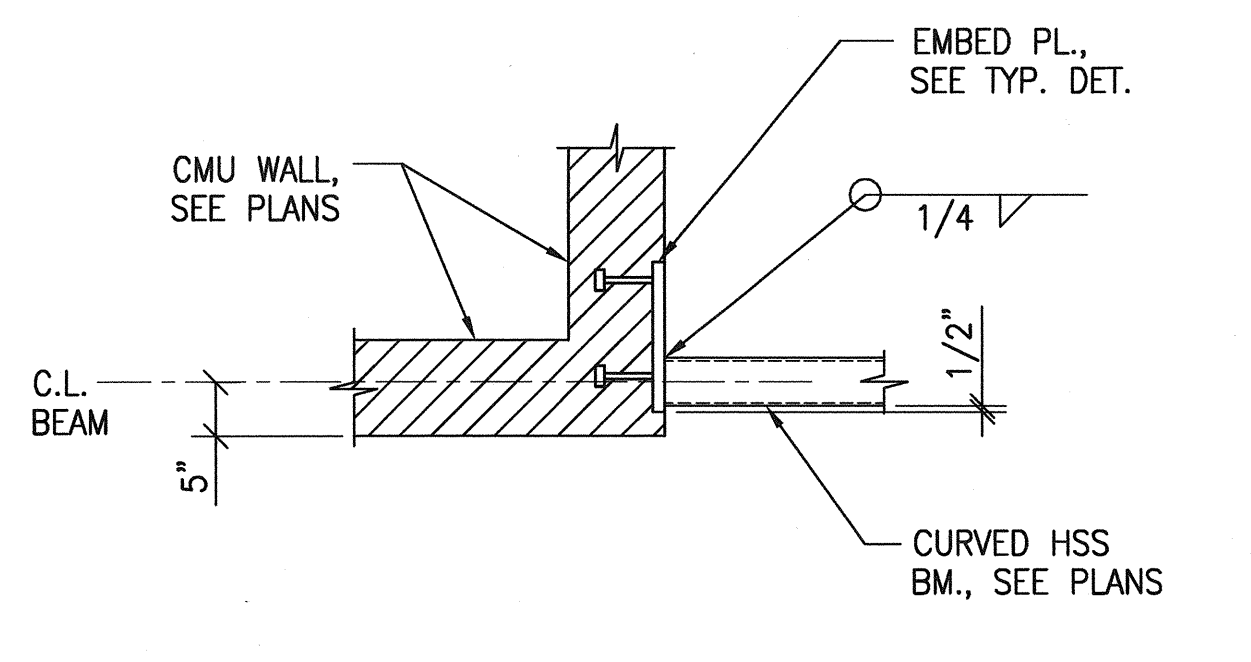
SECTION 9
N.T.S.



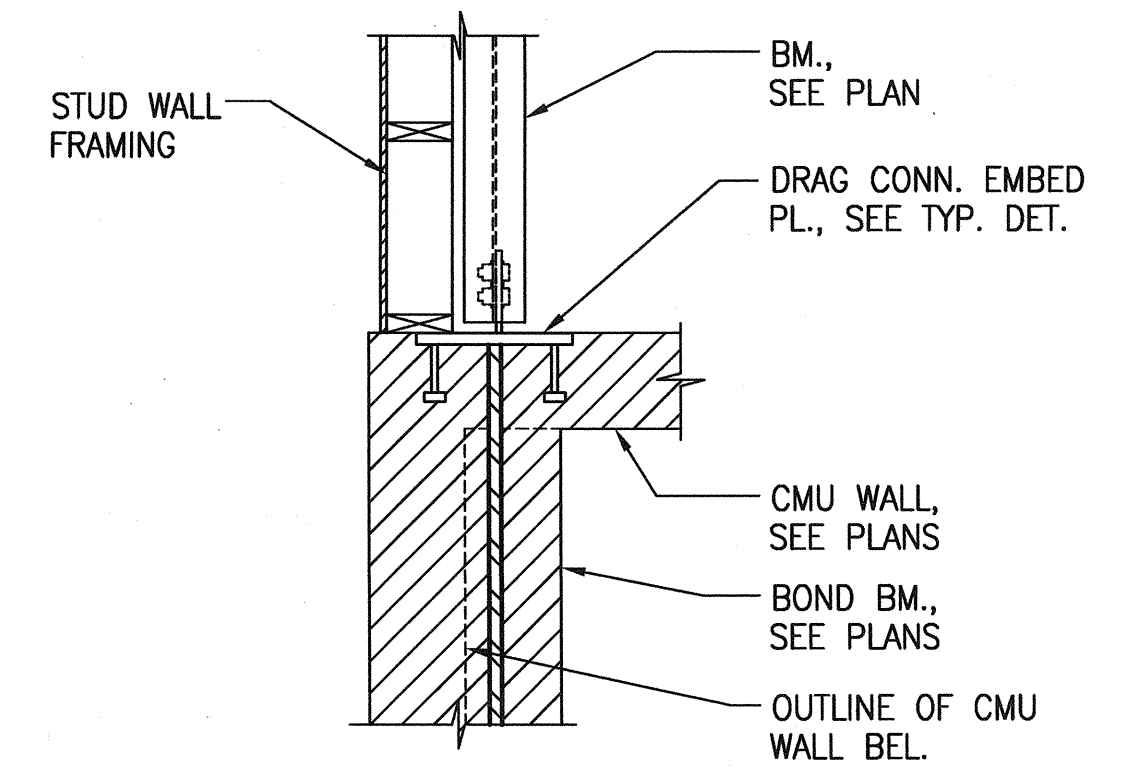
SECTION 10
N.T.S.



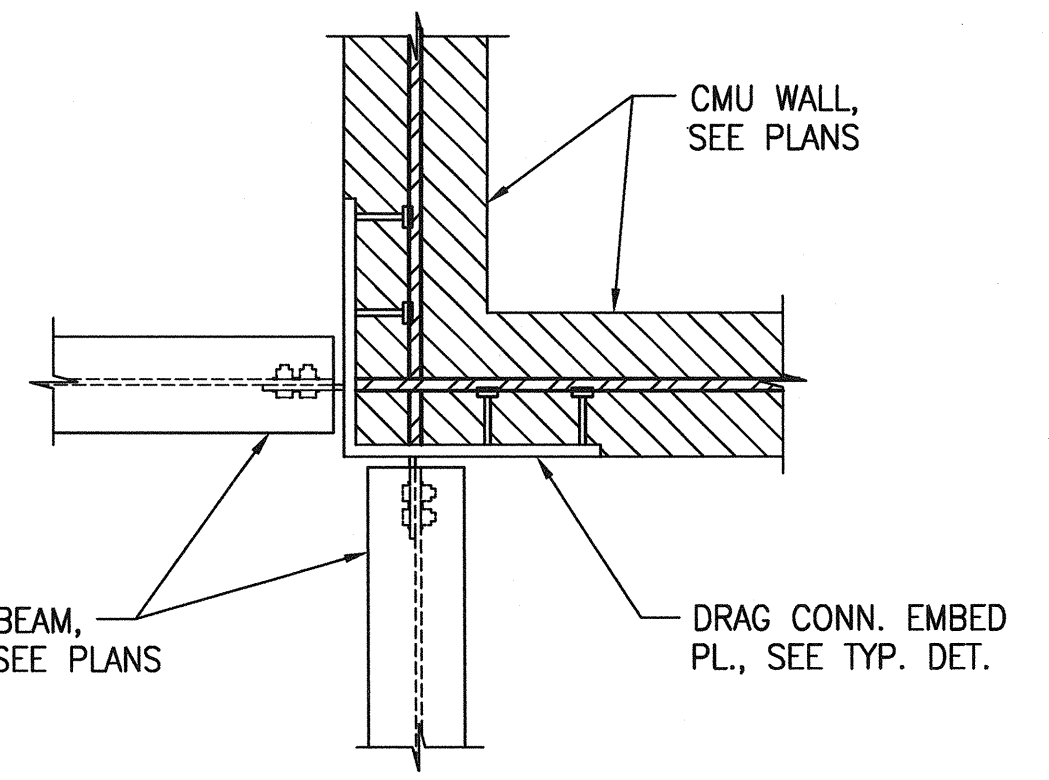
SECTION 12
N.T.S.



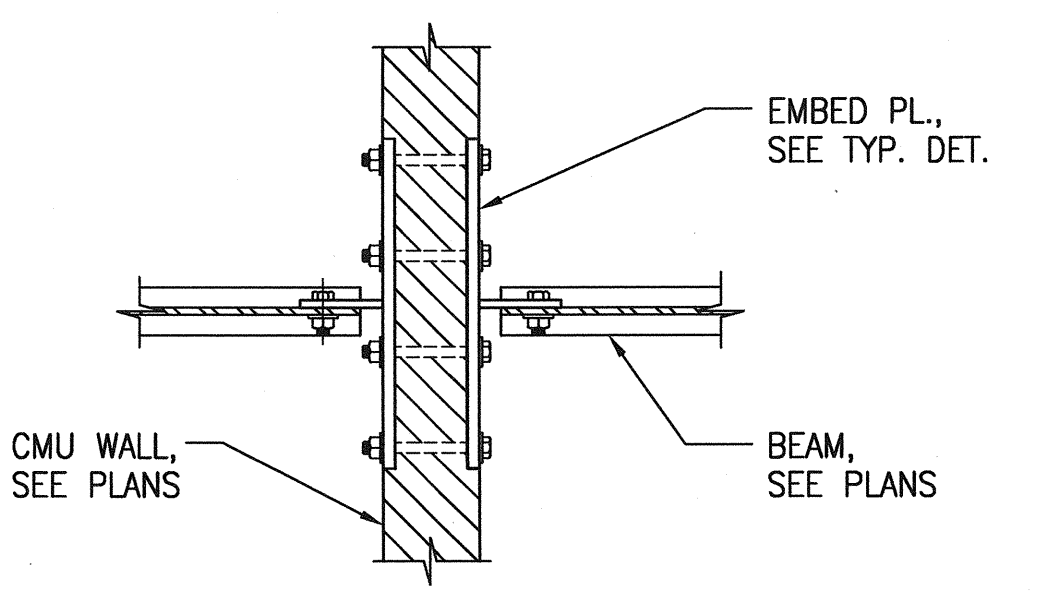
SECTION 11
N.T.S.



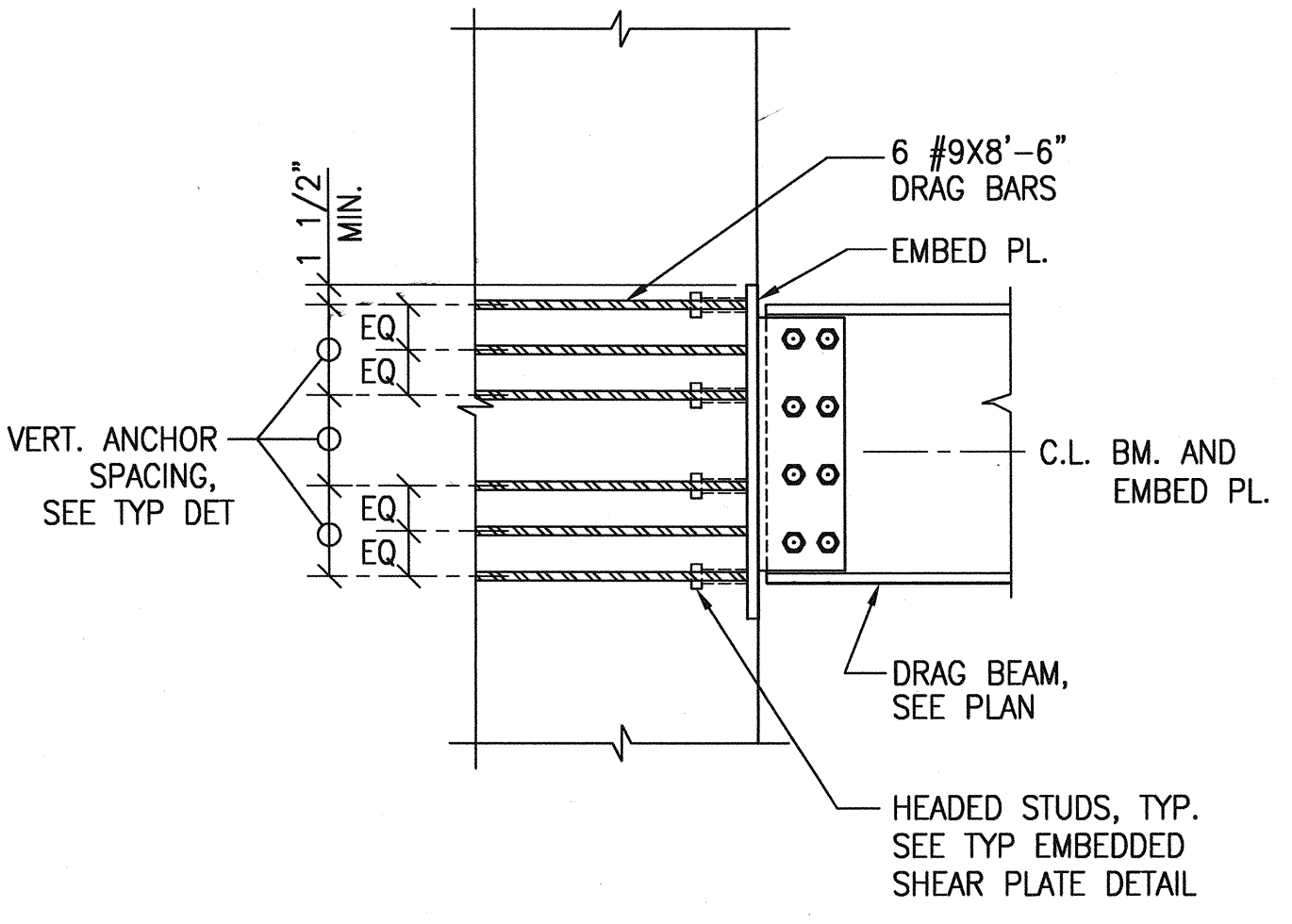
SECTION 13
N.T.S.



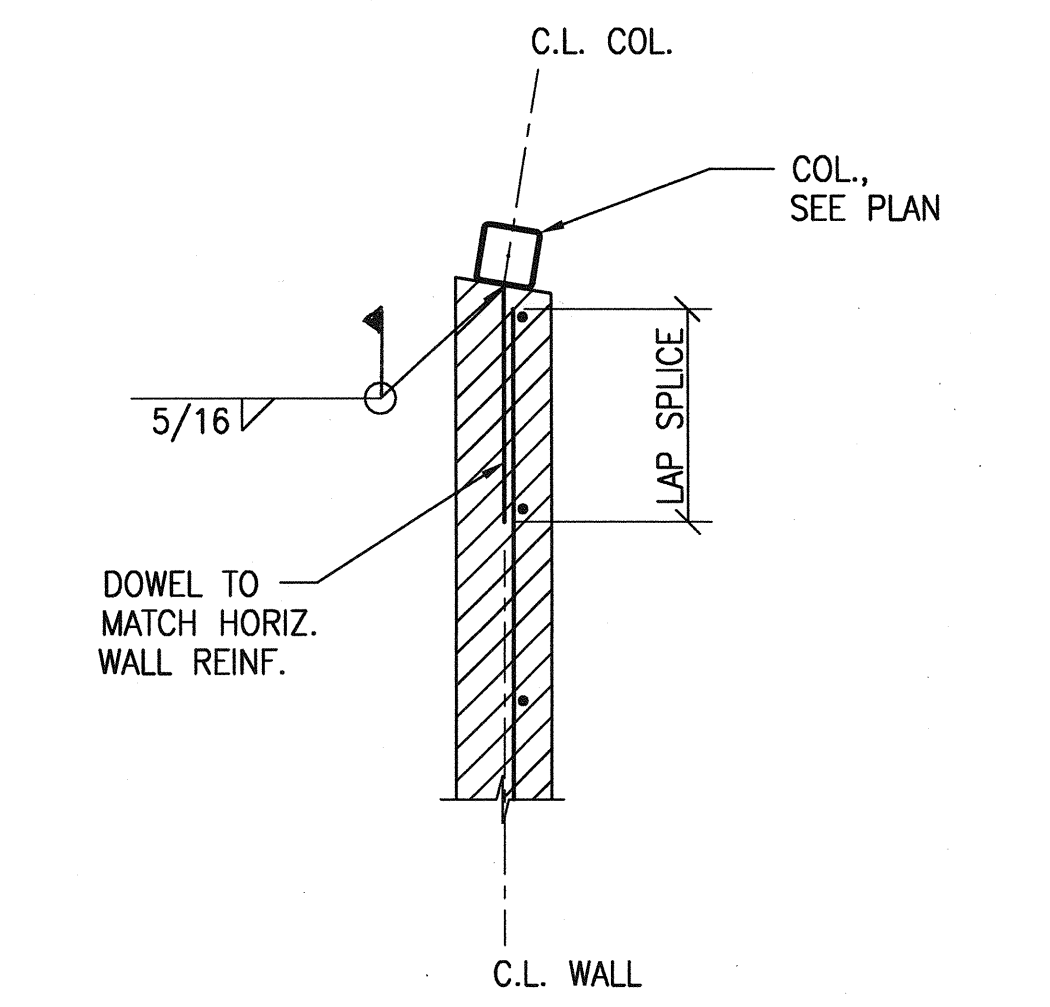
SECTION 14
N.T.S.



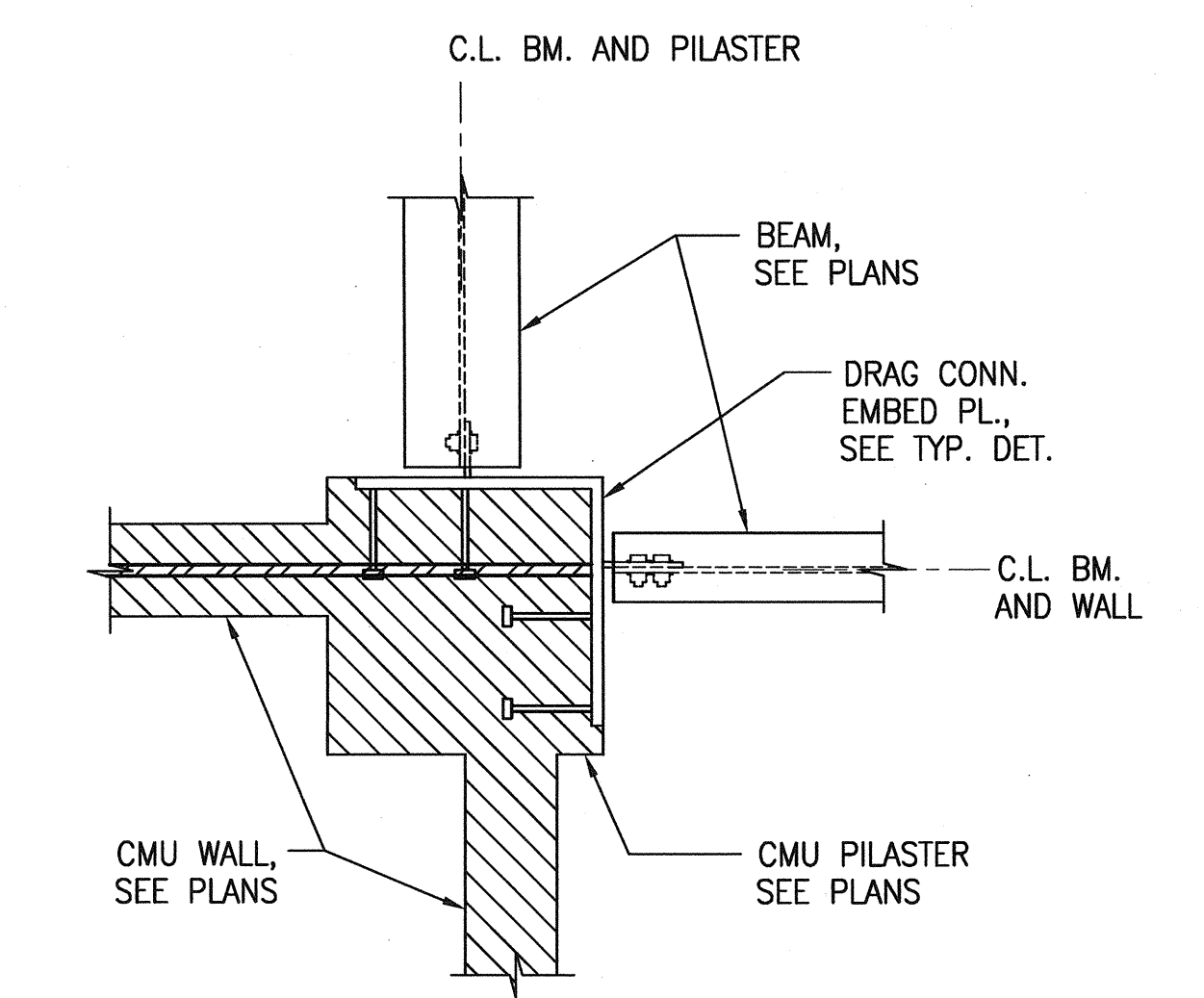
SECTION 15
N.T.S.



SECTION 18
N.T.S.



SECTION 17
N.T.S.



SECTION 16
N.T.S.

PLOT TIME: 0:00 AM
 PLOT DATE: 1/20/12
 PLOT NAME: 1300001144.dwg
 PLOT SCALE: 1:1
 PLOT DEVICE: HP DesignJet 500