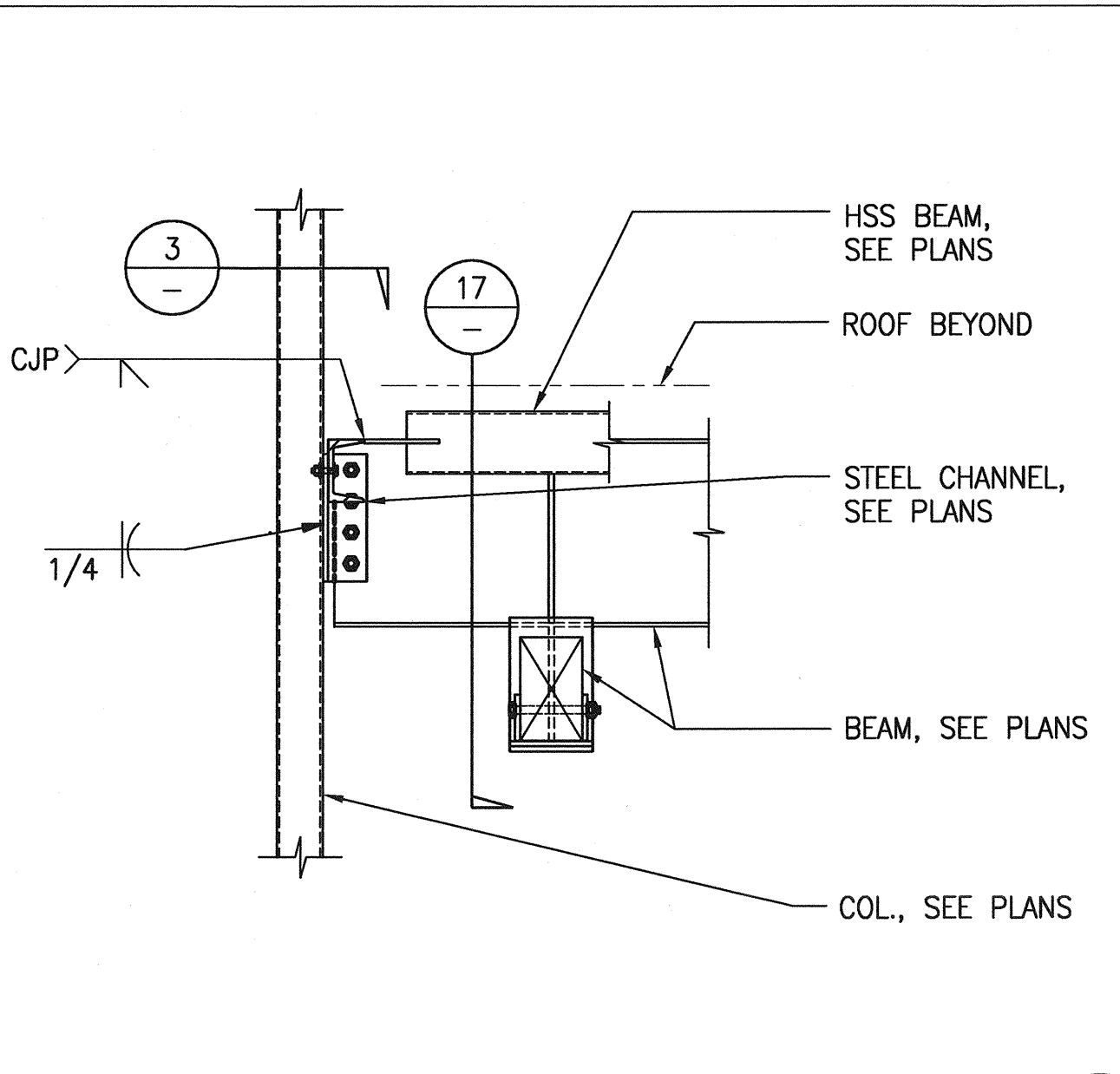
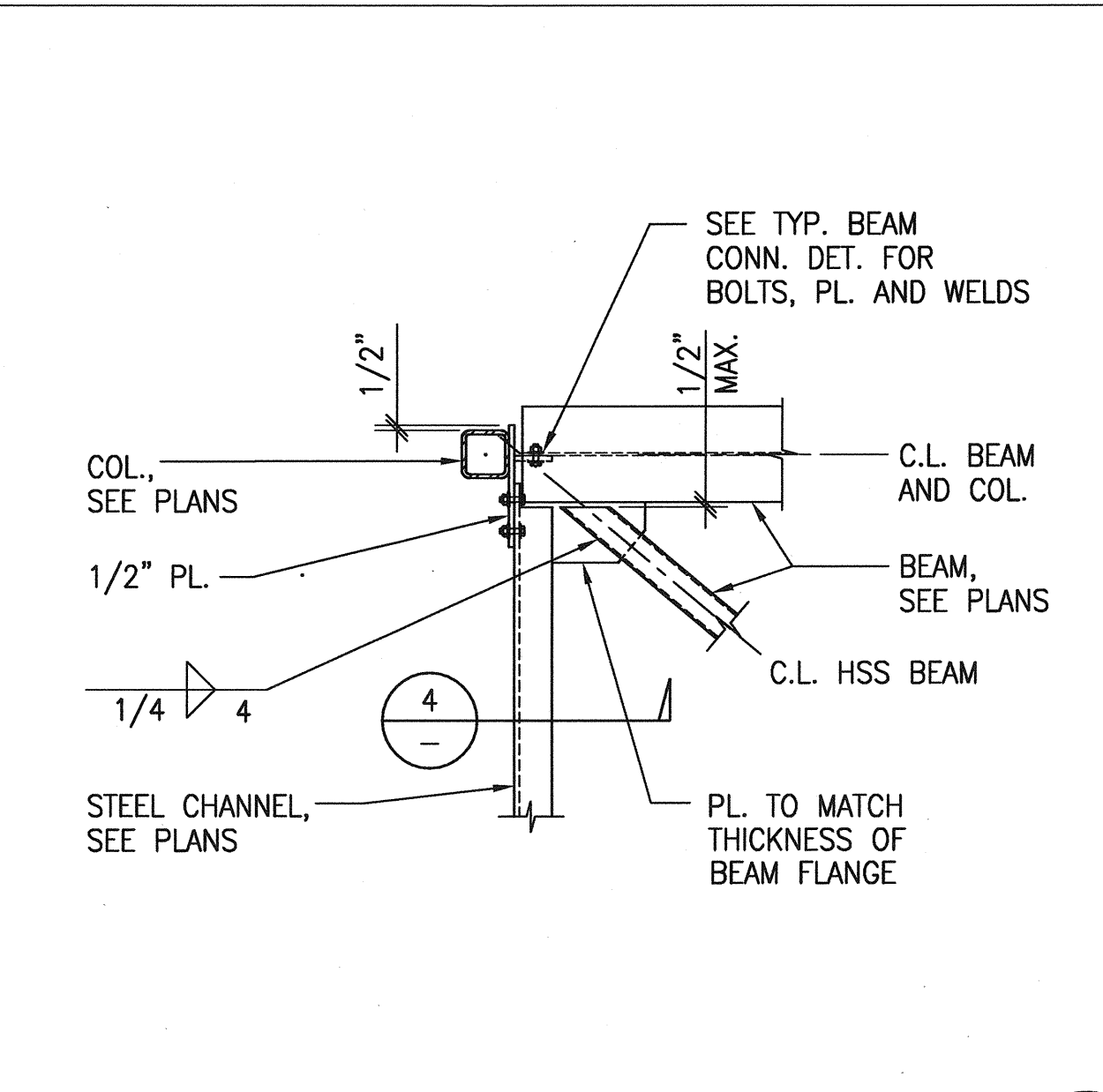


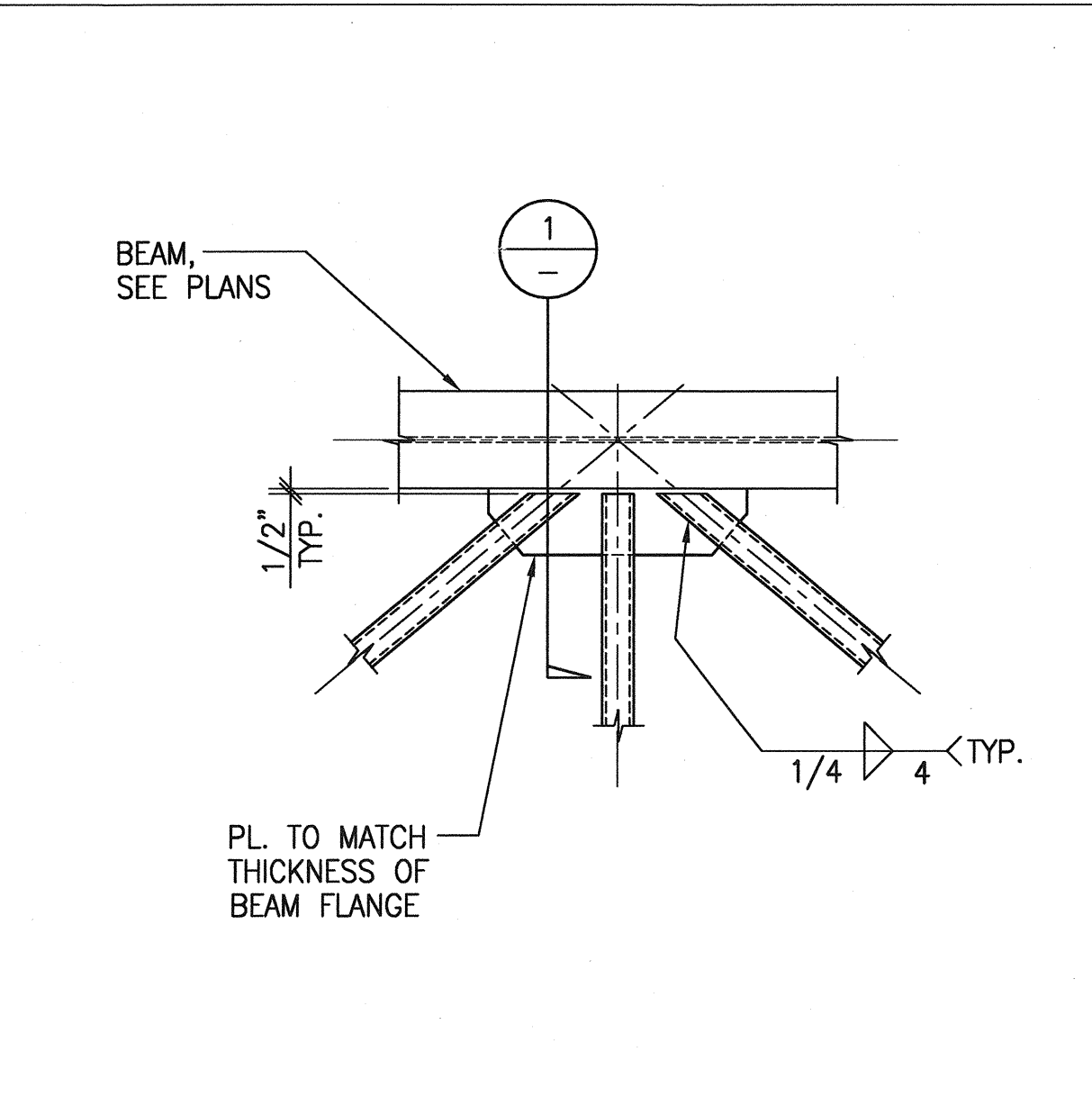
SECTION 5
N.T.S.



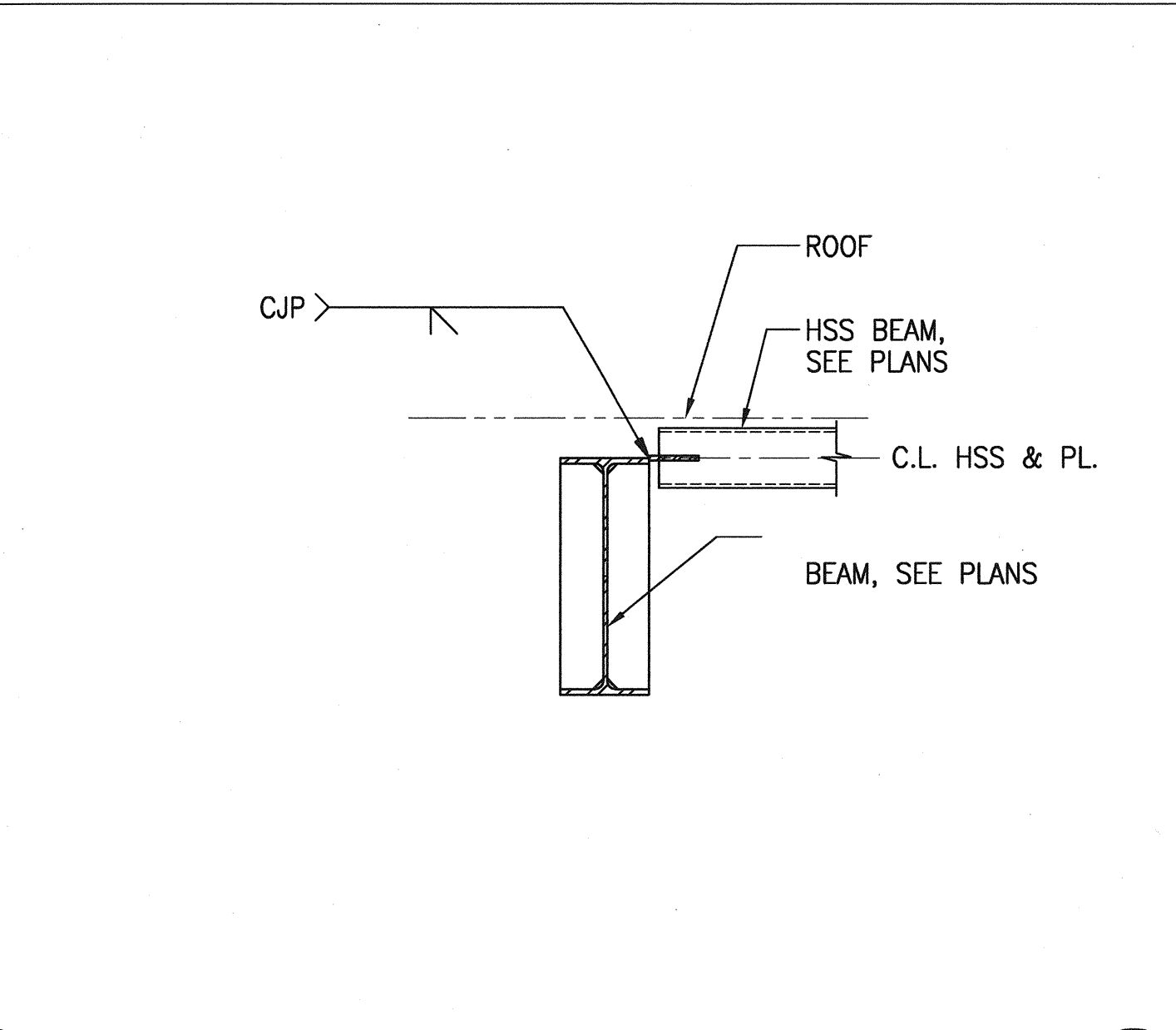
SECTION 4
N.T.S.



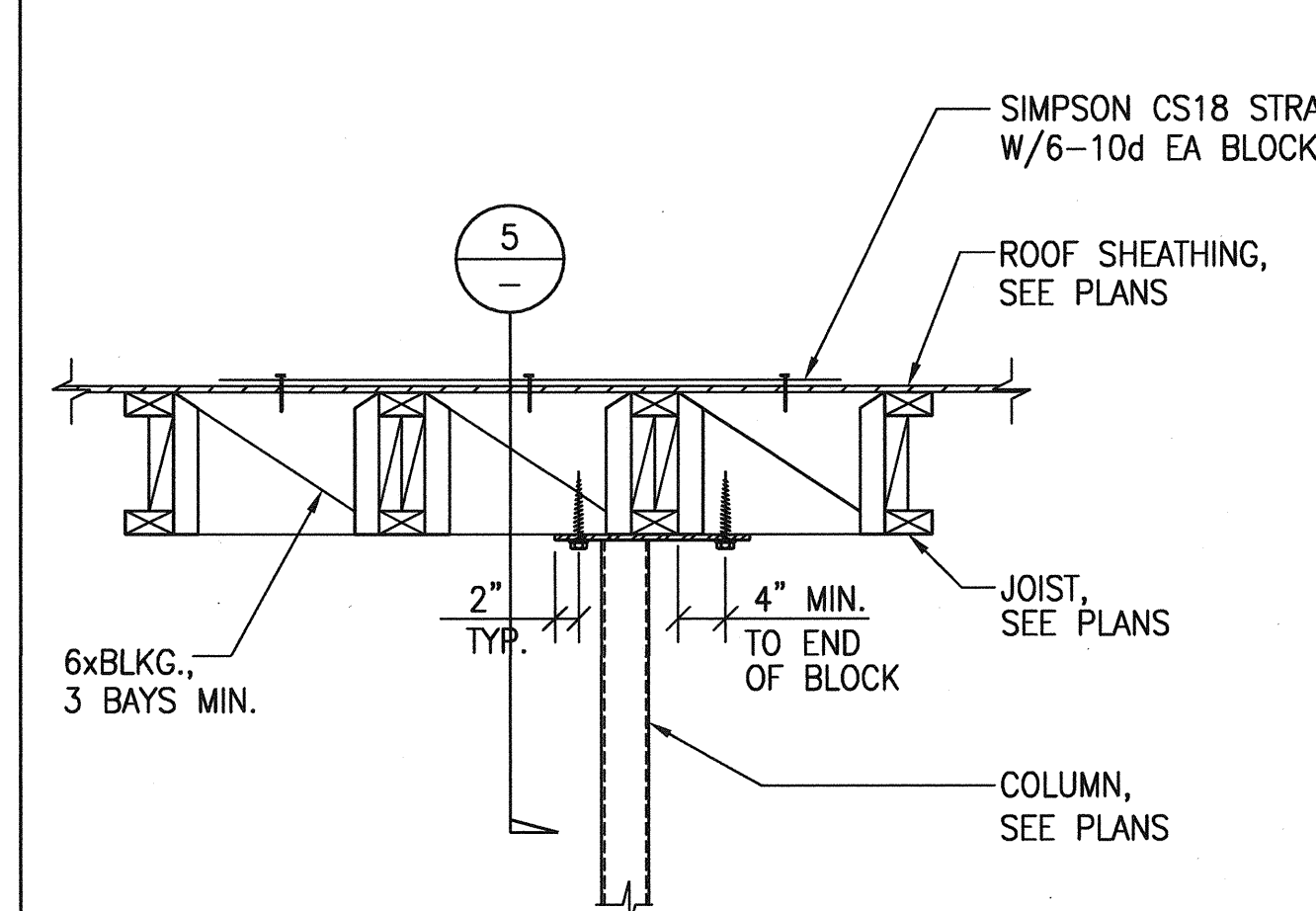
SECTION 3
N.T.S.



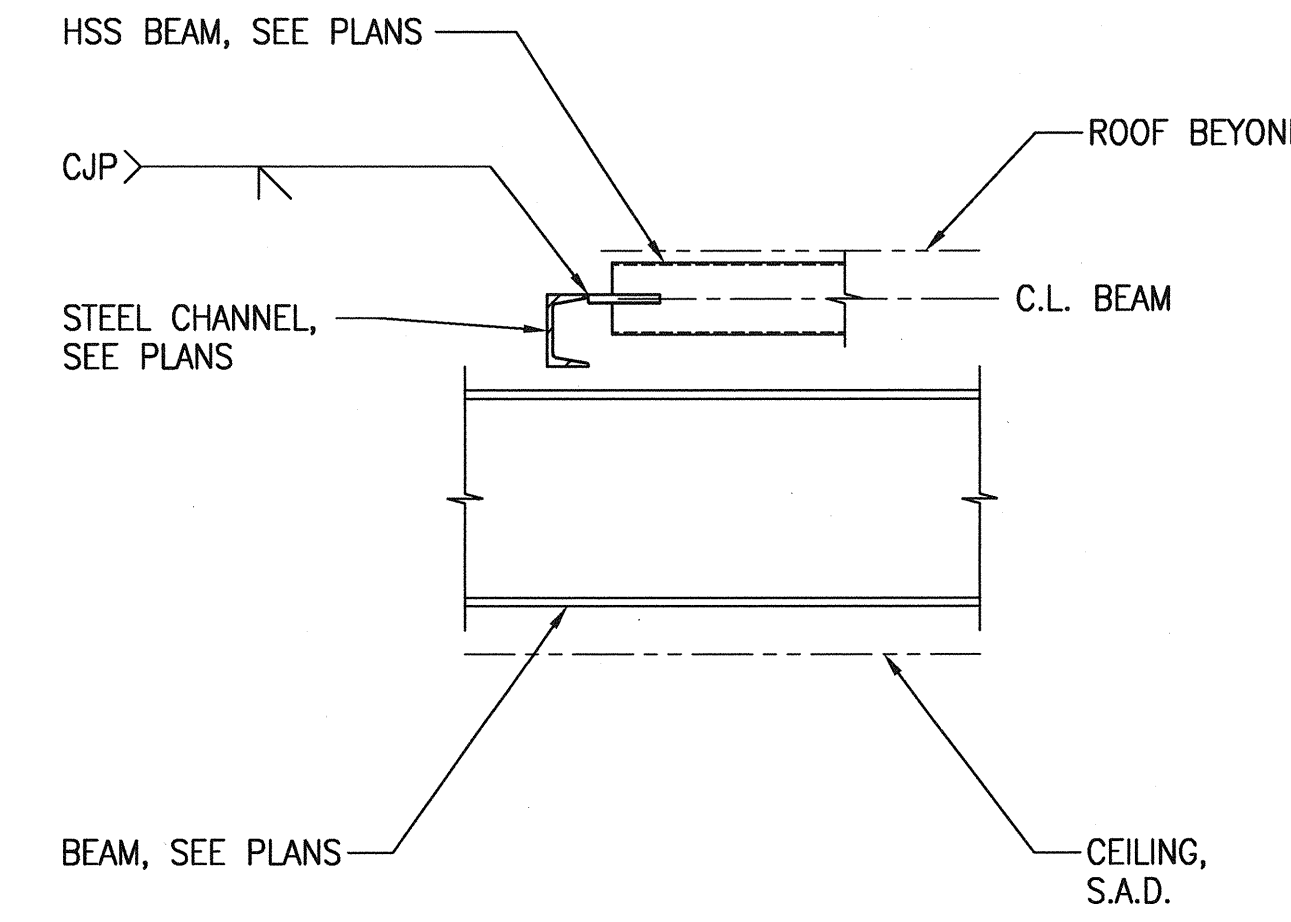
SECTION 2
N.T.S.



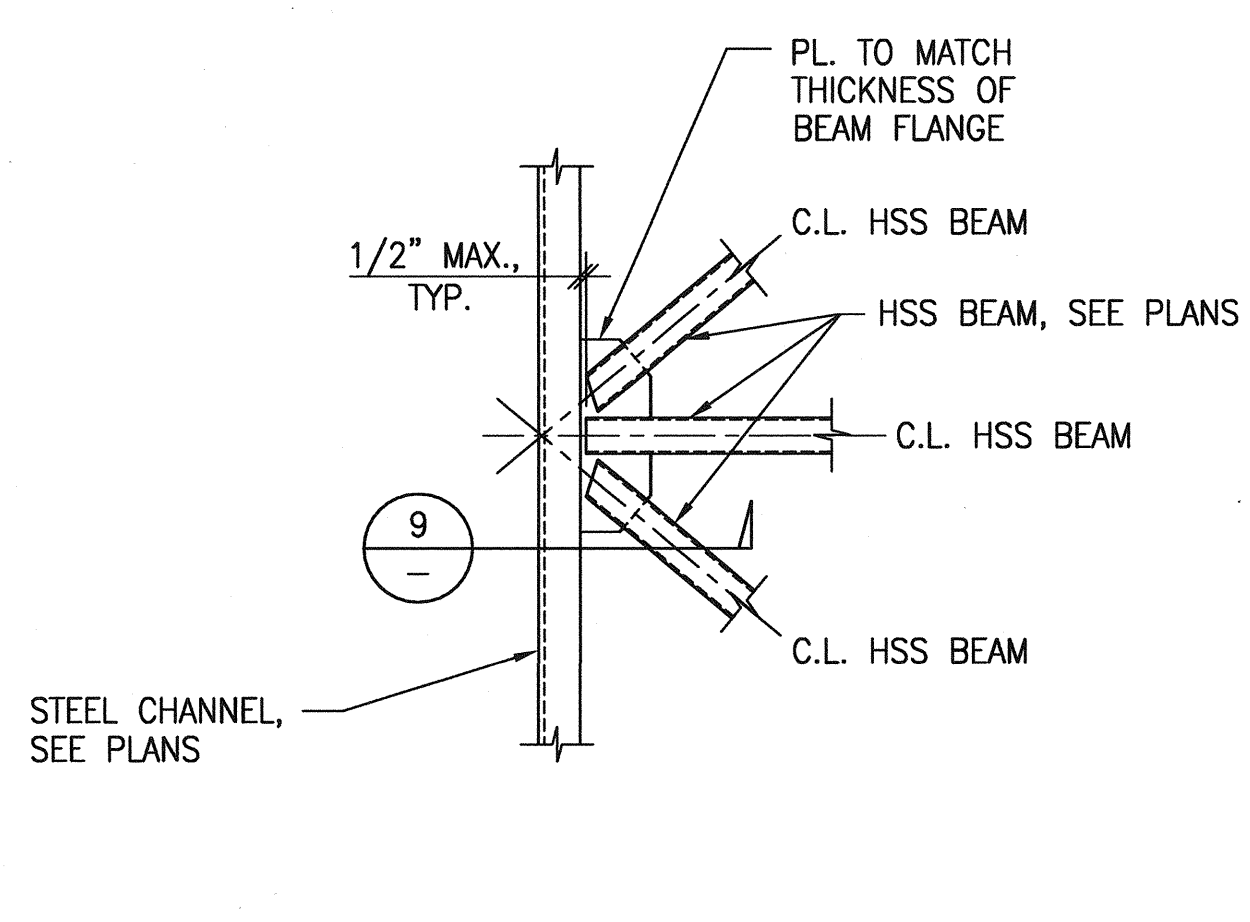
SECTION 1
N.T.S.



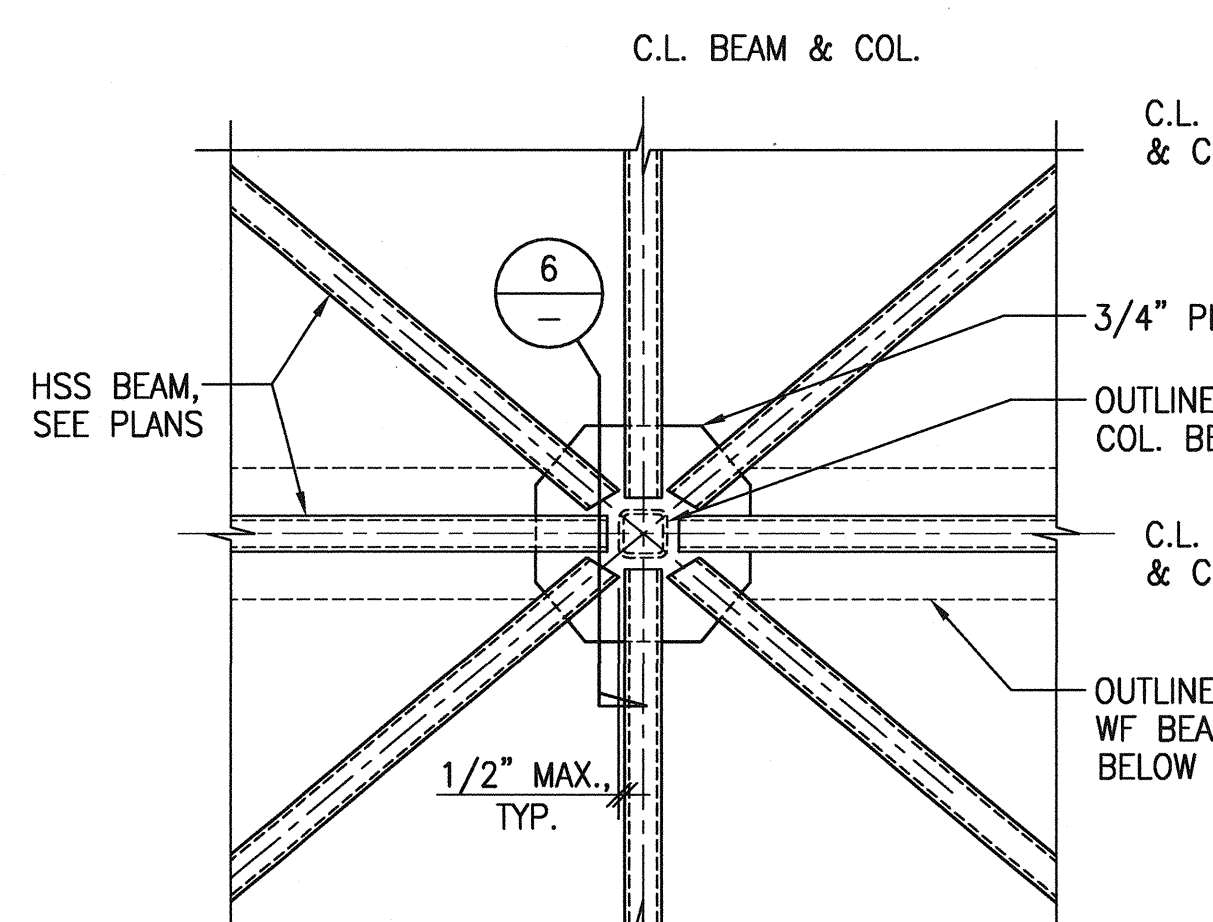
SECTION 10
N.T.S.



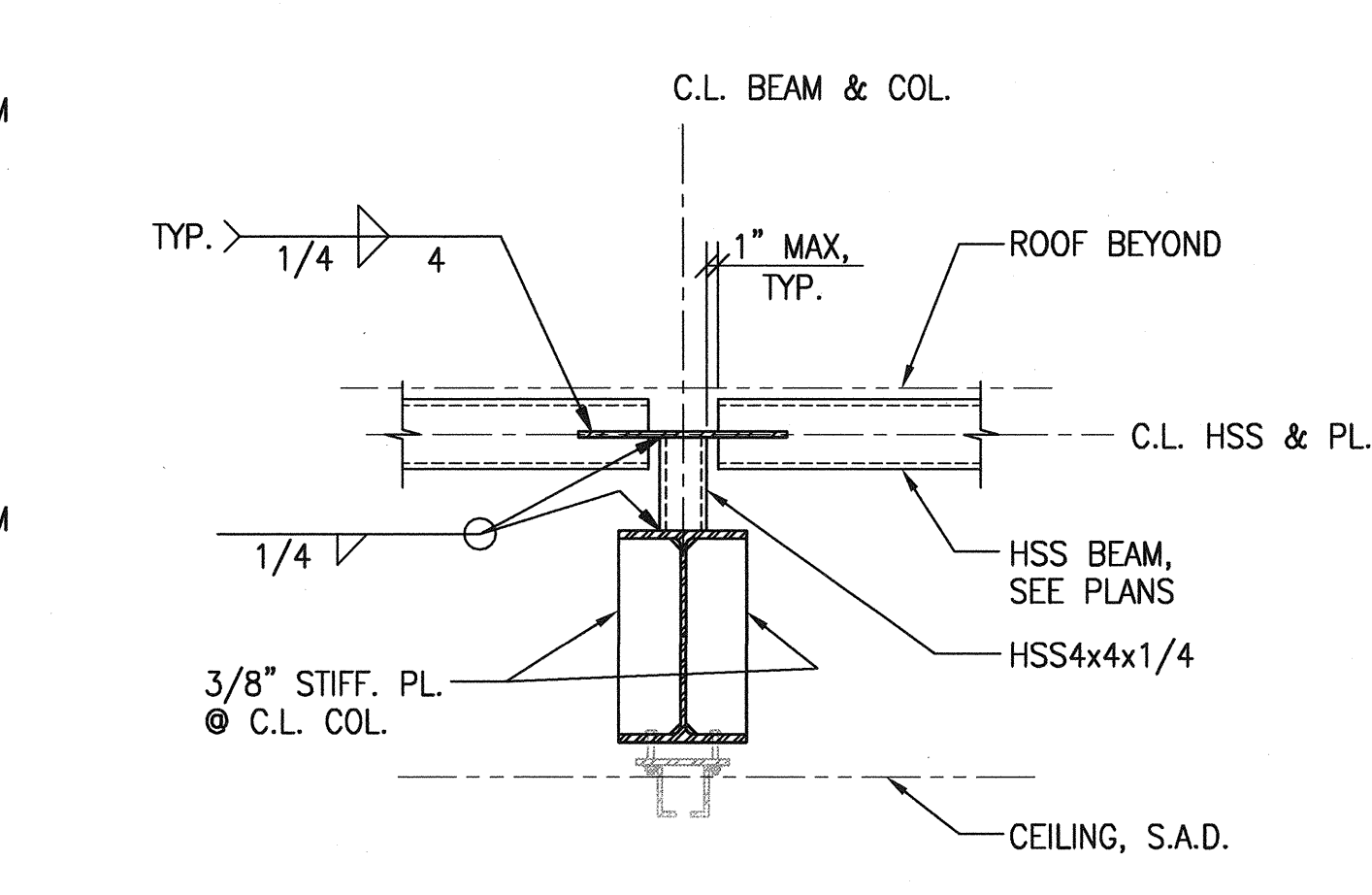
SECTION 9
N.T.S.



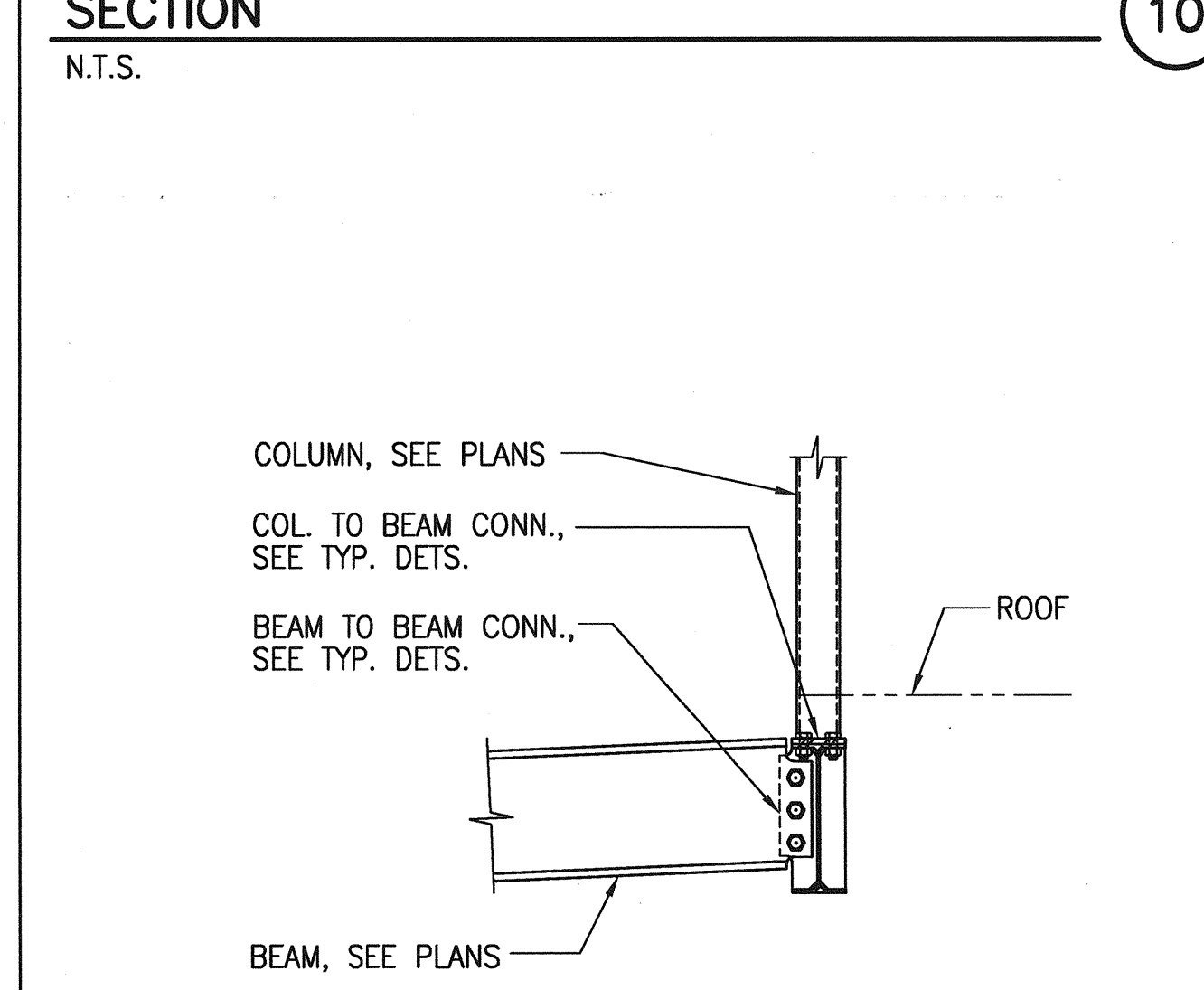
SECTION 8
N.T.S.



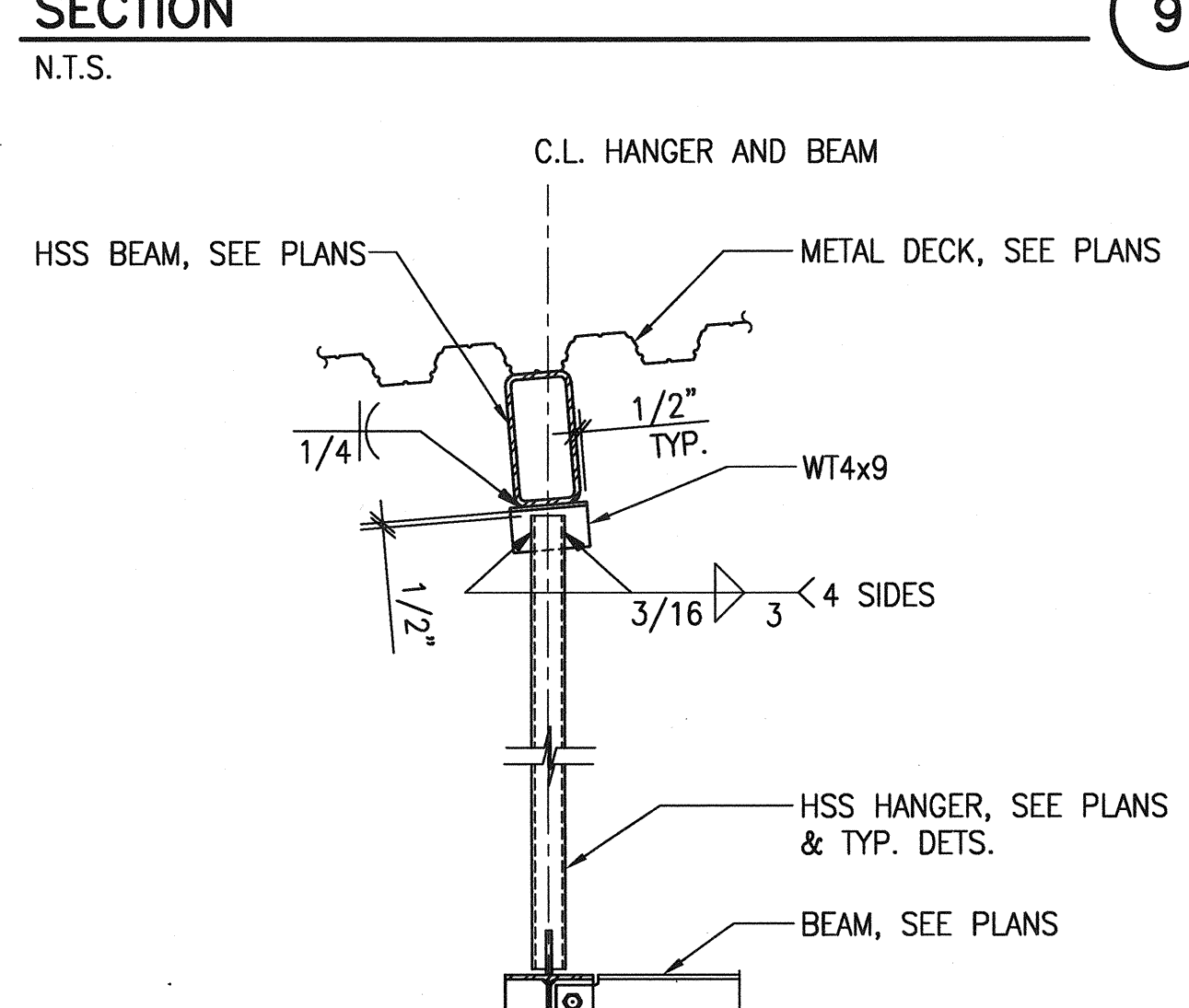
SECTION 7
N.T.S.



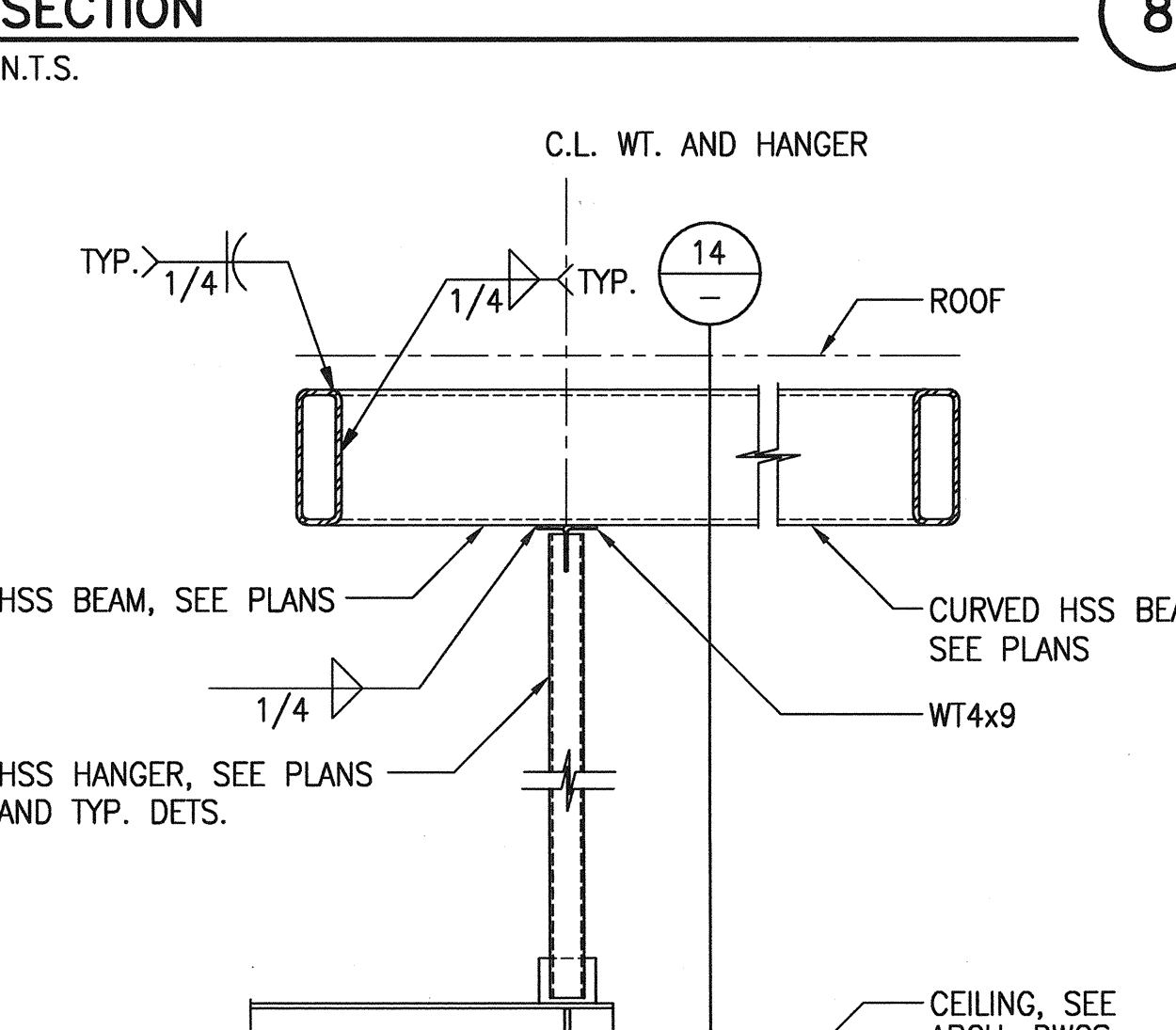
SECTION 6
N.T.S.



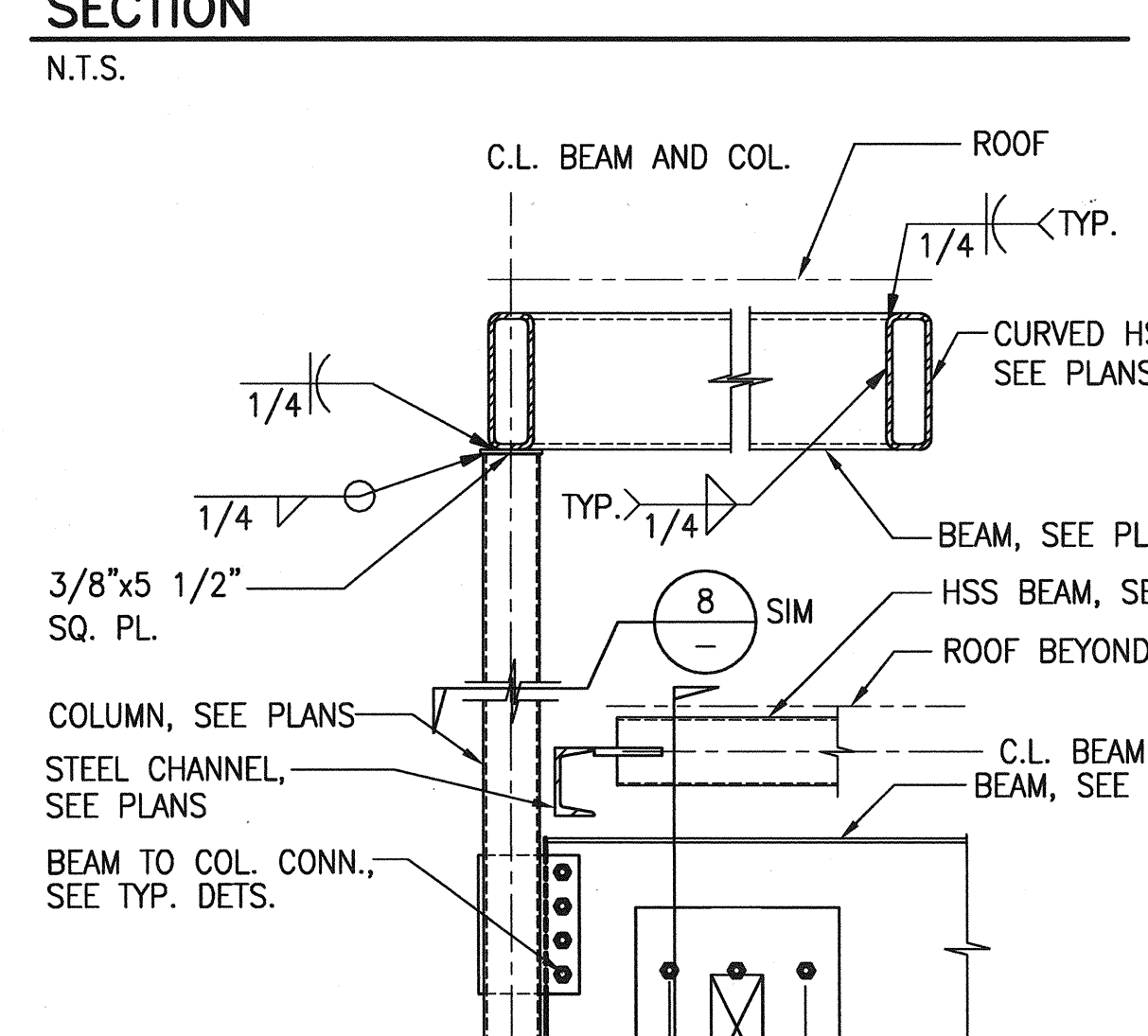
SECTION 15
N.T.S.



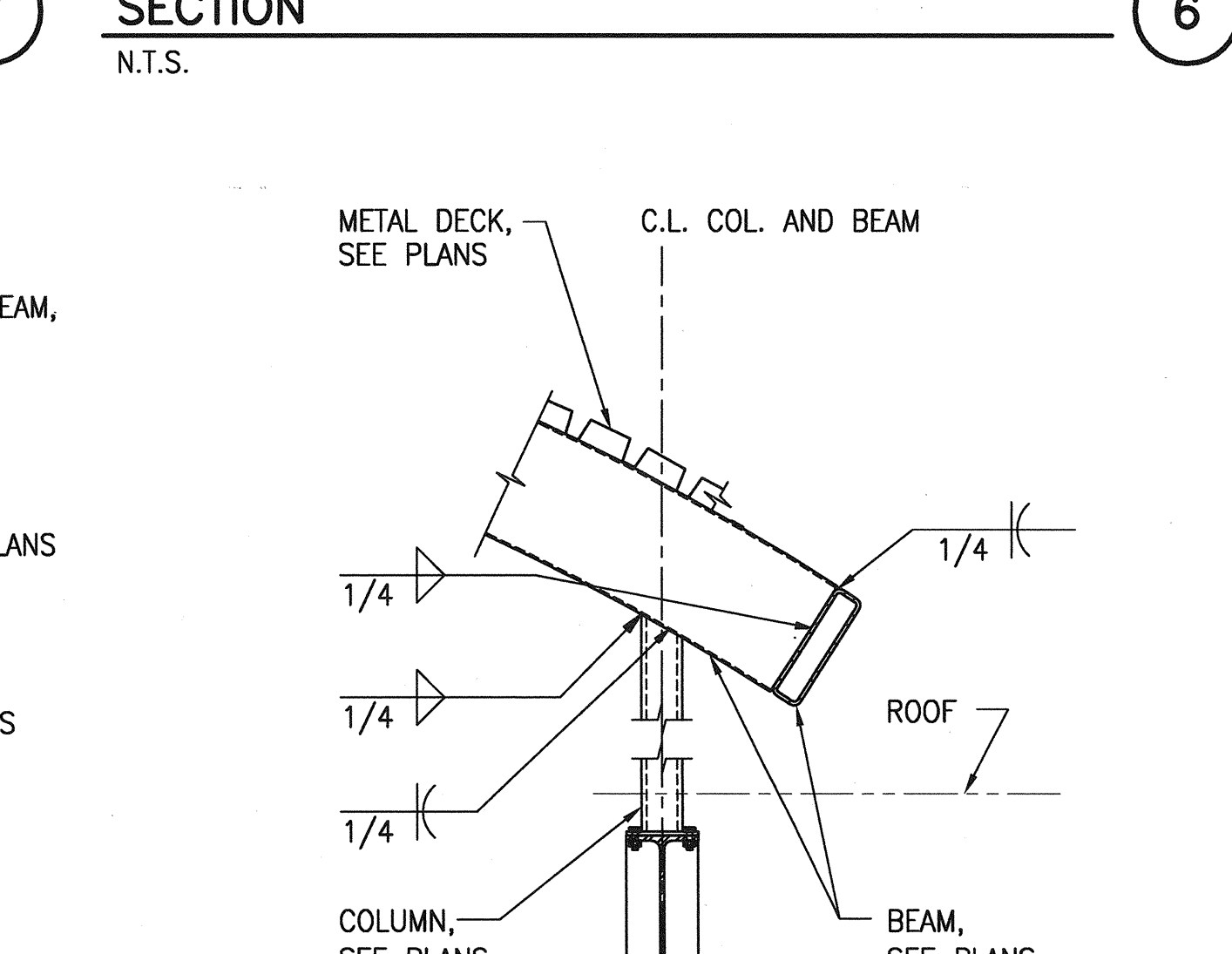
SECTION 14
N.T.S.



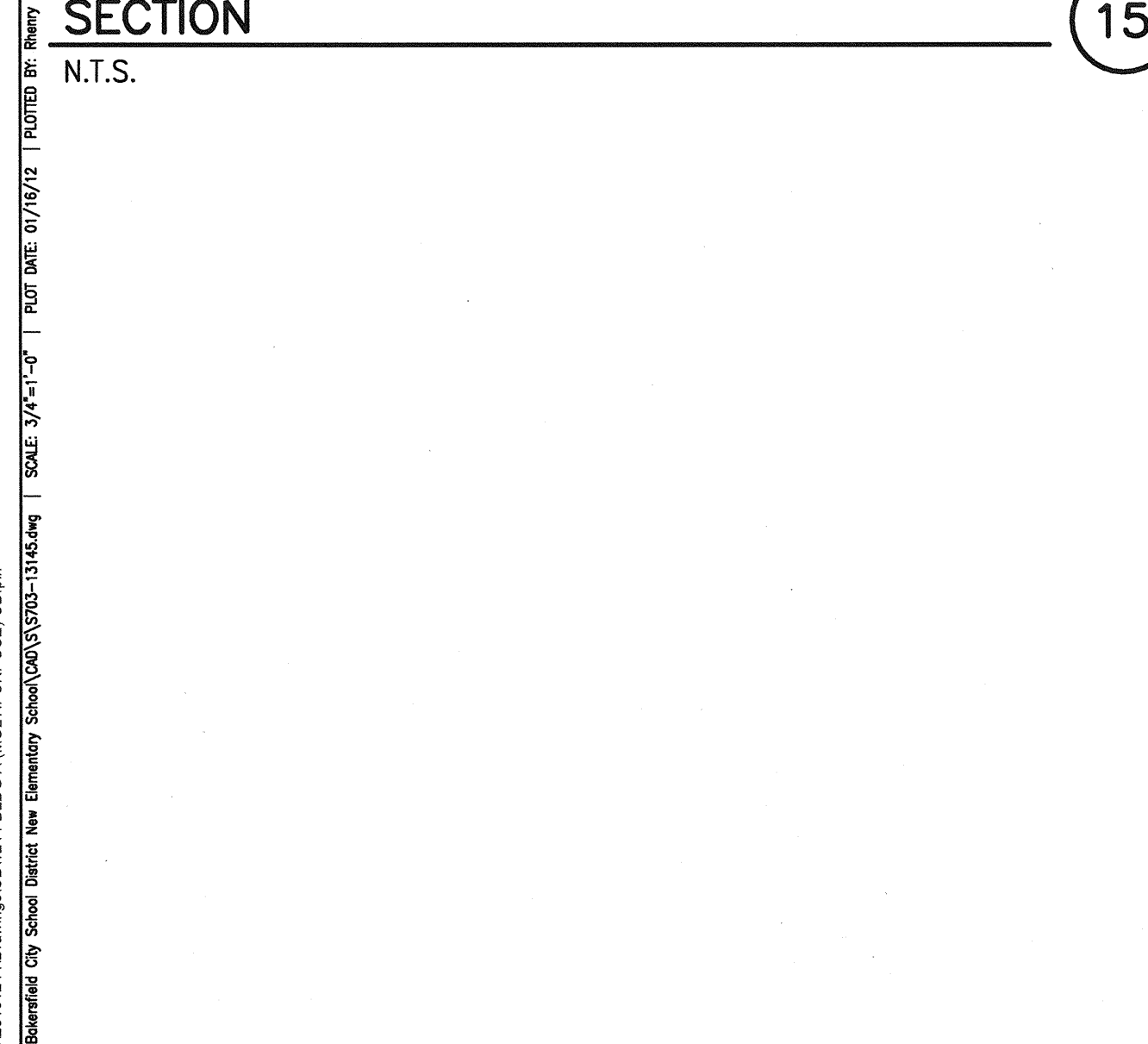
SECTION 13
N.T.S.



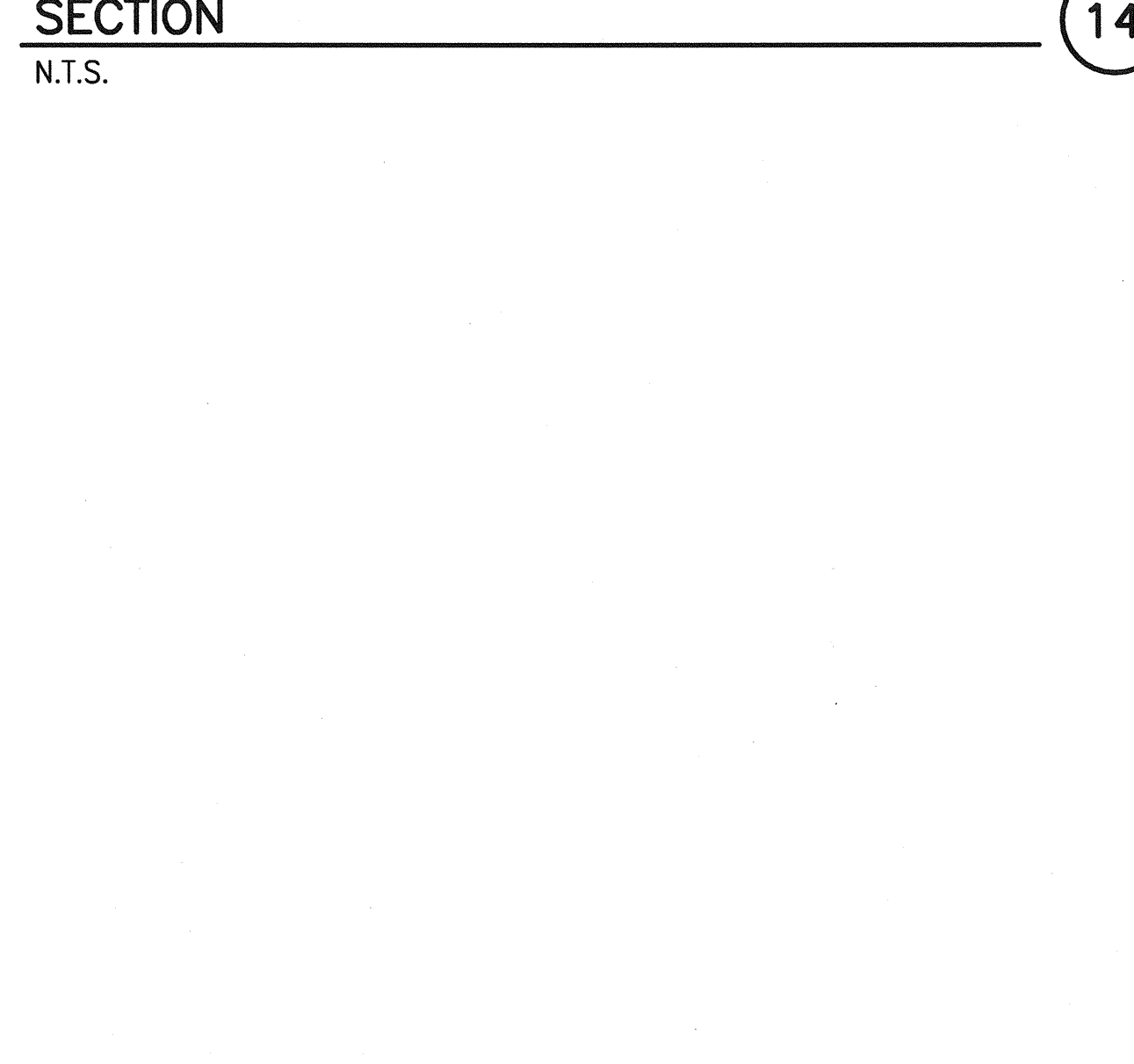
SECTION 12
N.T.S.



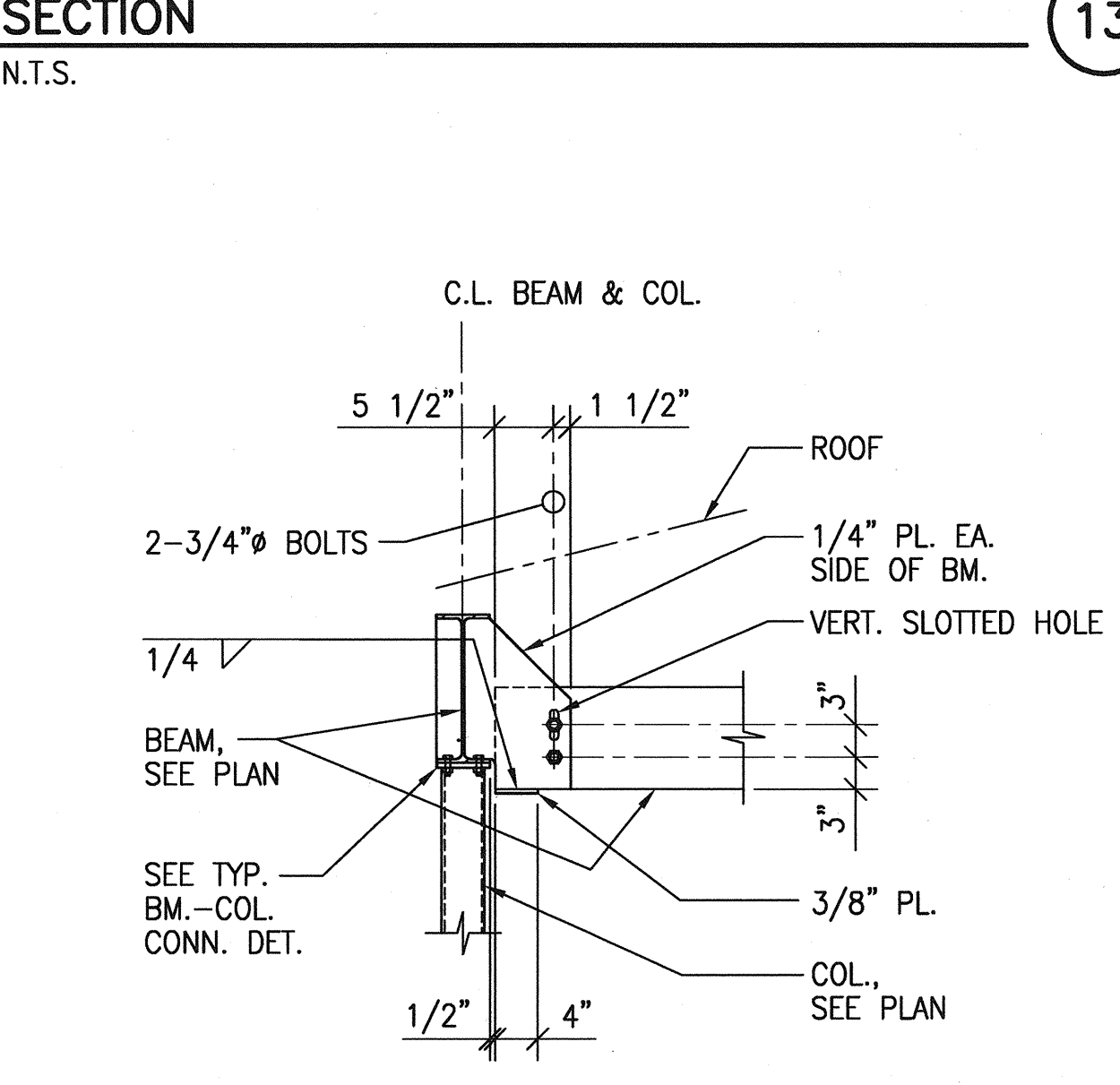
SECTION 11
N.T.S.



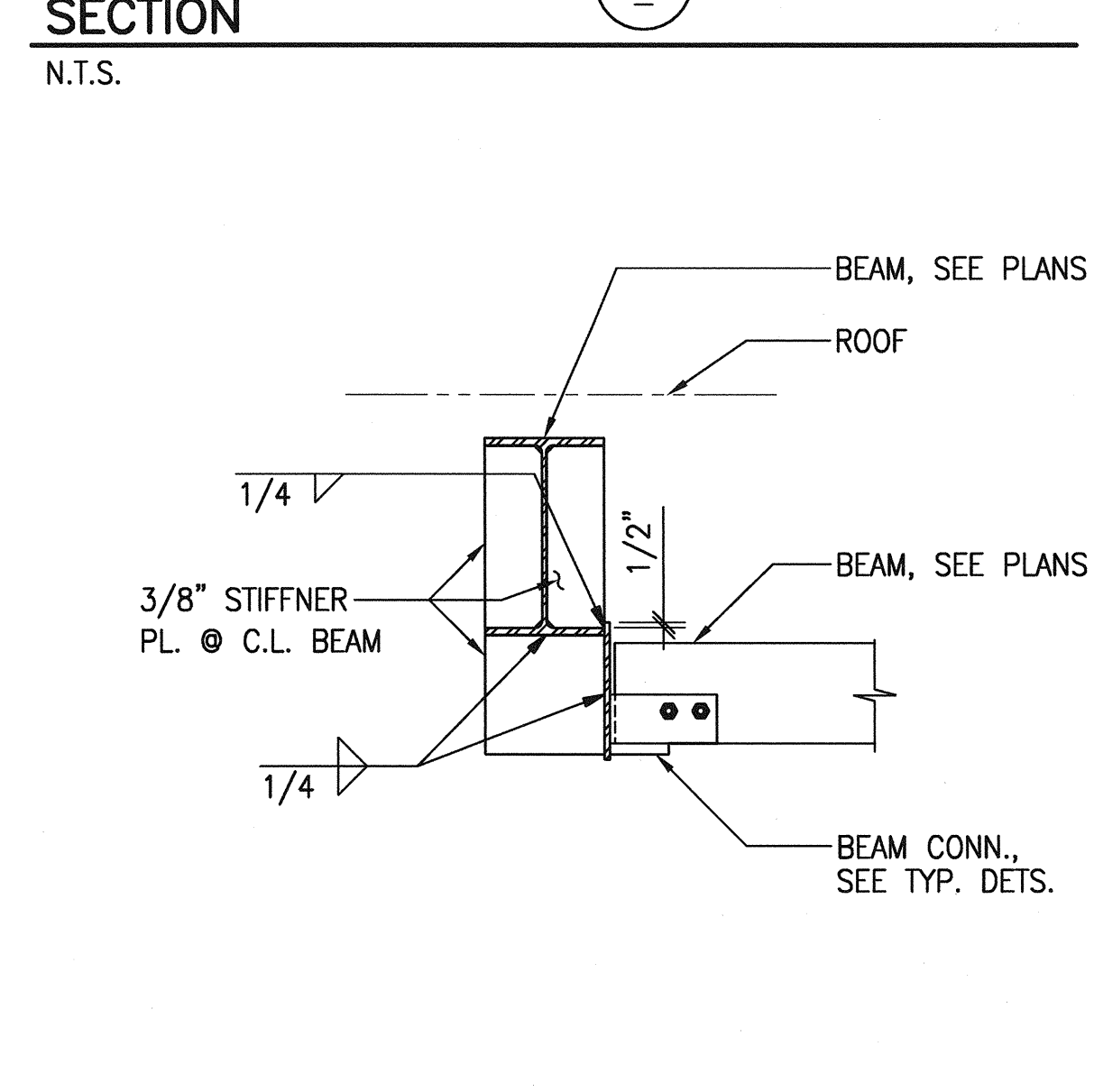
SECTION 19
N.T.S.



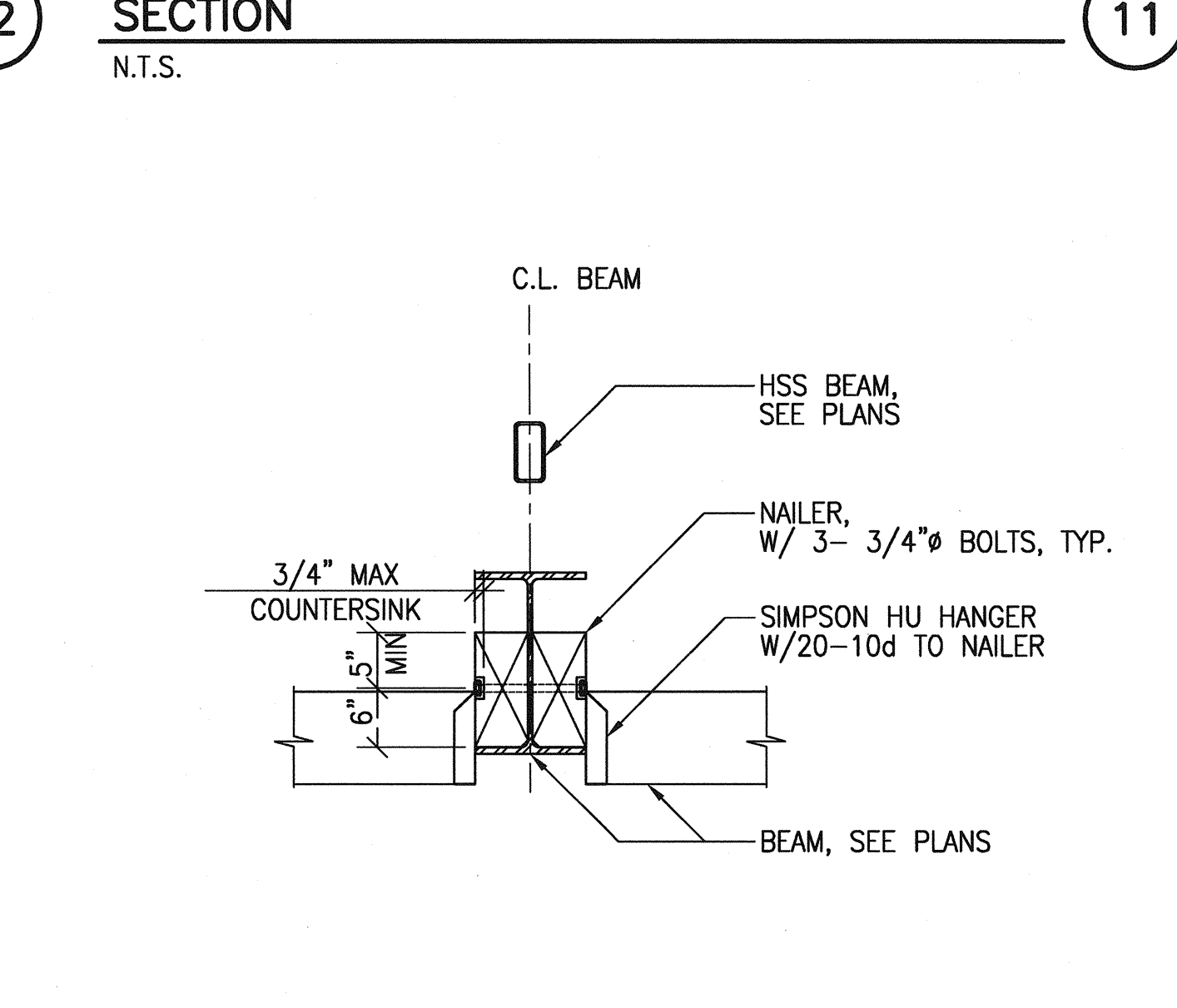
SECTION 18
N.T.S.



SECTION 17
N.T.S.

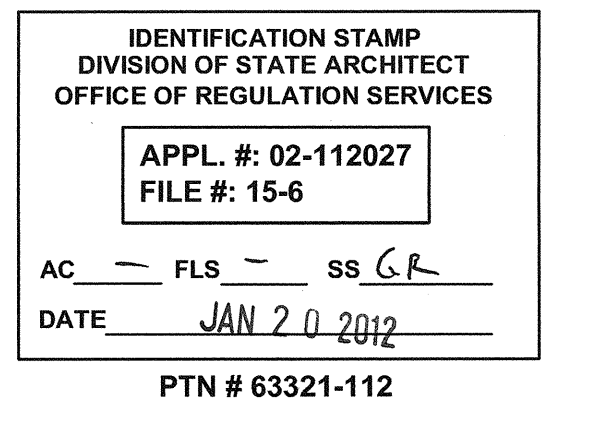
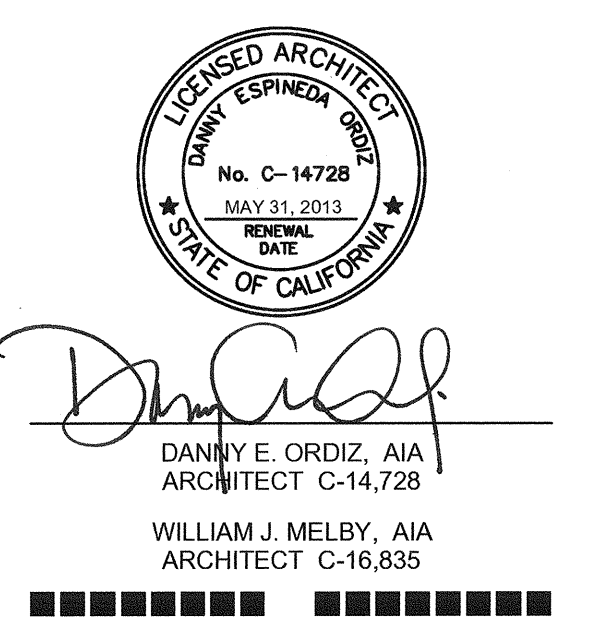


SECTION 16
N.T.S.

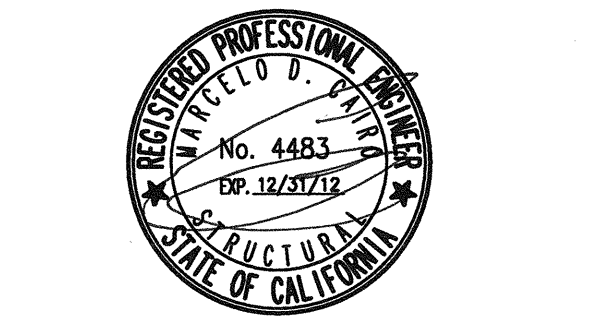


SECTION 16
N.T.S.

ORDIZ MELBY
ARCHITECTS, INC.
5500 MING AVENUE SUITE 280
BAKERSFIELD, CALIFORNIA 93309
TELEPHONE (661) 832-5258
FACSIMILE (661) 832-4291



MARTIN & ASSOCIATES
JOHN A. MARTIN & ASSOCIATES
Structural Engineers
2929 The Old Road, Ste. 316
Simons Ranch, Ca. 91381
Phone (661) 260-2846
Fax (661) 260-2849
JAMA JOB #13145



NEW ELEMENTARY SCHOOL
9801 HIGHLAND KNOLLS DR.
BAKERSFIELD
CALIFORNIA
93306

NEW MIDDLE SCHOOL
4115 VINELAND ROAD
BAKERSFIELD
CALIFORNIA
93306

FOR:
BAKERSFIELD CITY SCHOOL DISTRICT

1300 BAKER STREET
BAKERSFIELD
CALIFORNIA
93305

MARK	DATE	DESCRIPTION
△		
△		
△		

JOB NUMBER:
20101244
CAD DRAWING FILE:
DRAWN BY:
CHECKED BY:
MDC
CHECK AND VERIFY ALL DIMENSIONS BEFORE
PROCEEDING WITH THE WORK.
REPORT DISCREPANCIES TO THE ARCHITECT.
THE DRAWINGS, IDEAS, AND DESIGNS
REPRESENTED ON THIS SHEET ARE THE
PROPERTY OF THE ARCHITECT.
COPYRIGHT
ORDIZ MELBY ARCHITECTS, INC. 2010
SHEET TITLE

SECTIONS & DETAILS

SHEET IDENTIFICATION NUMBER
S703