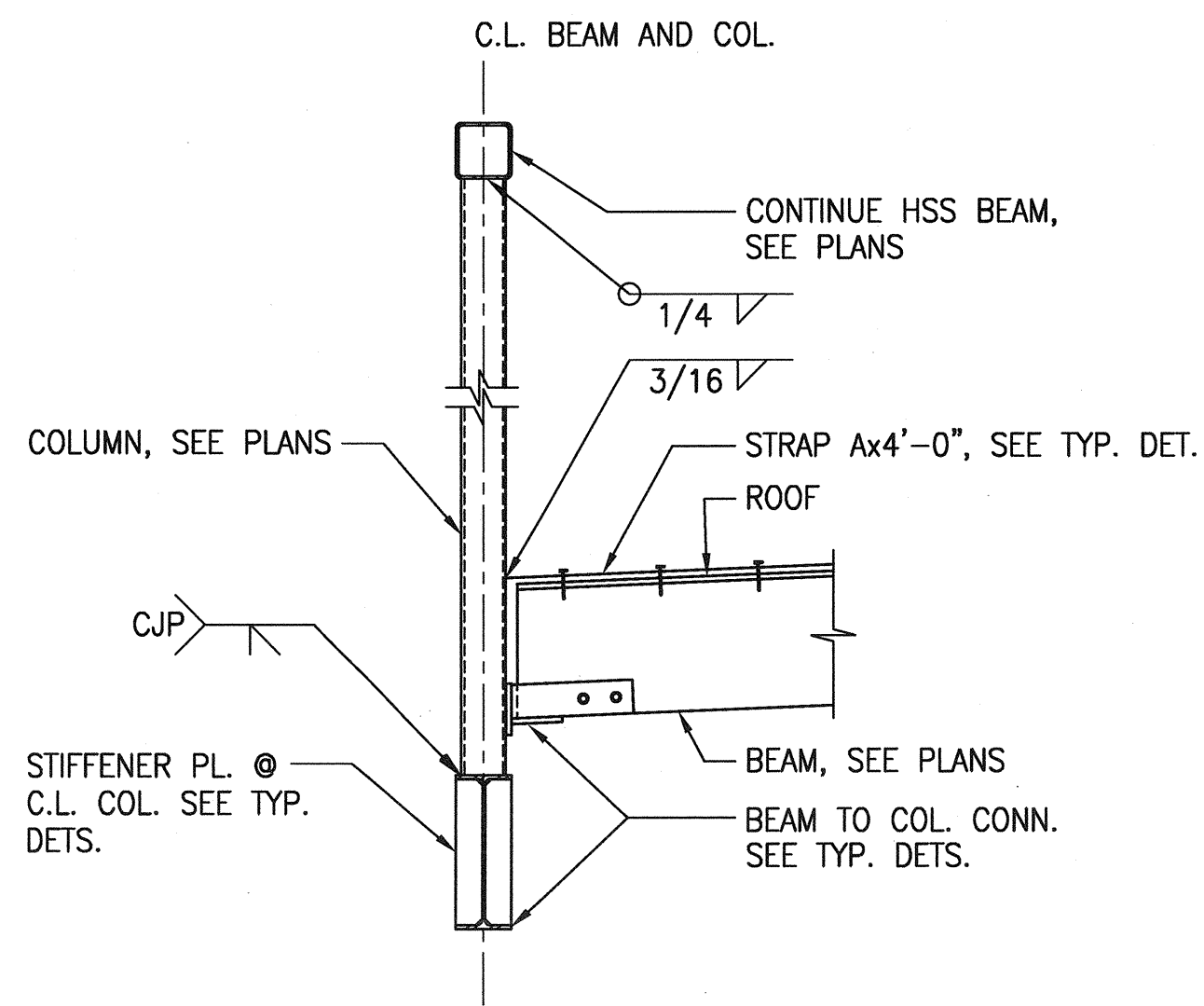
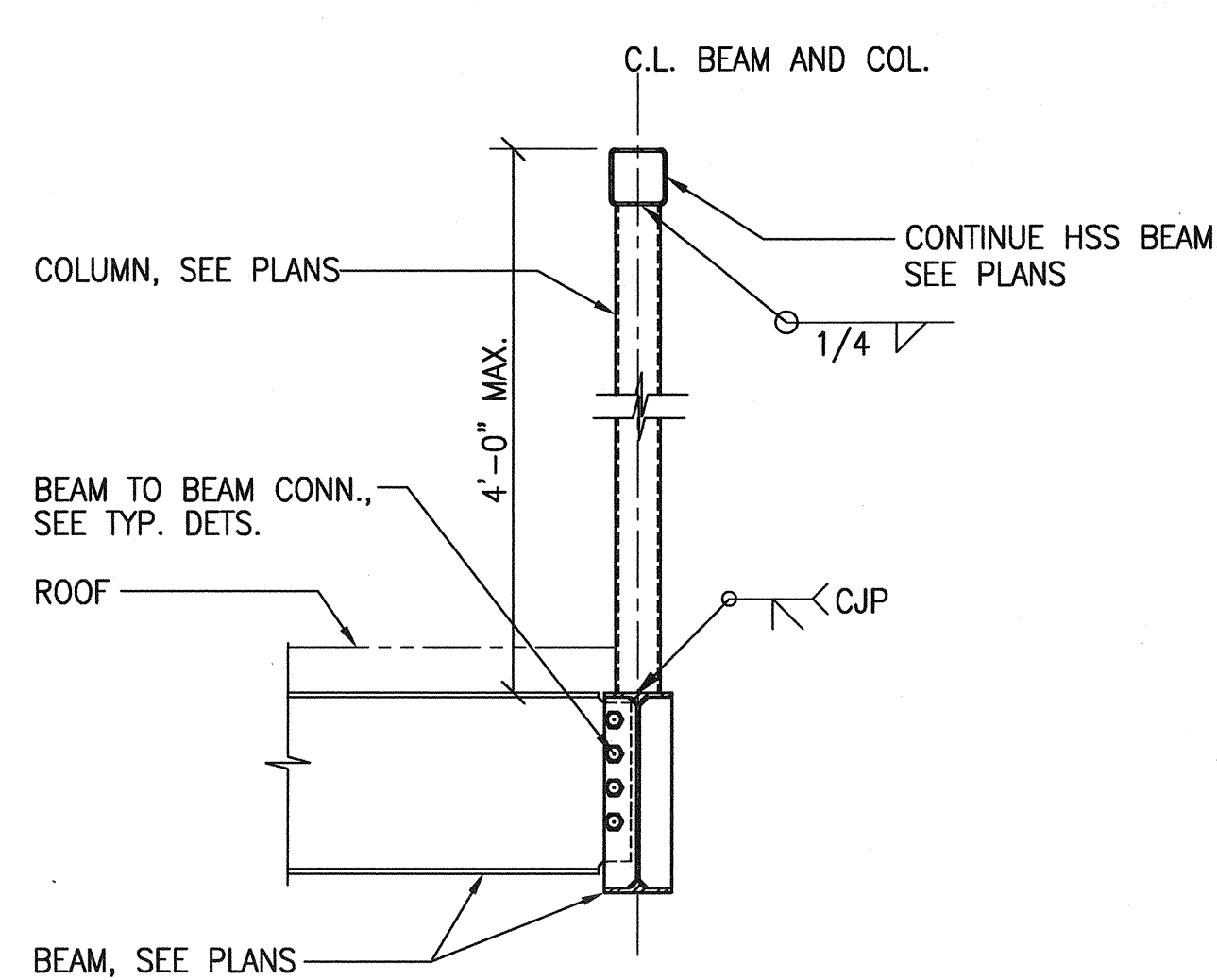


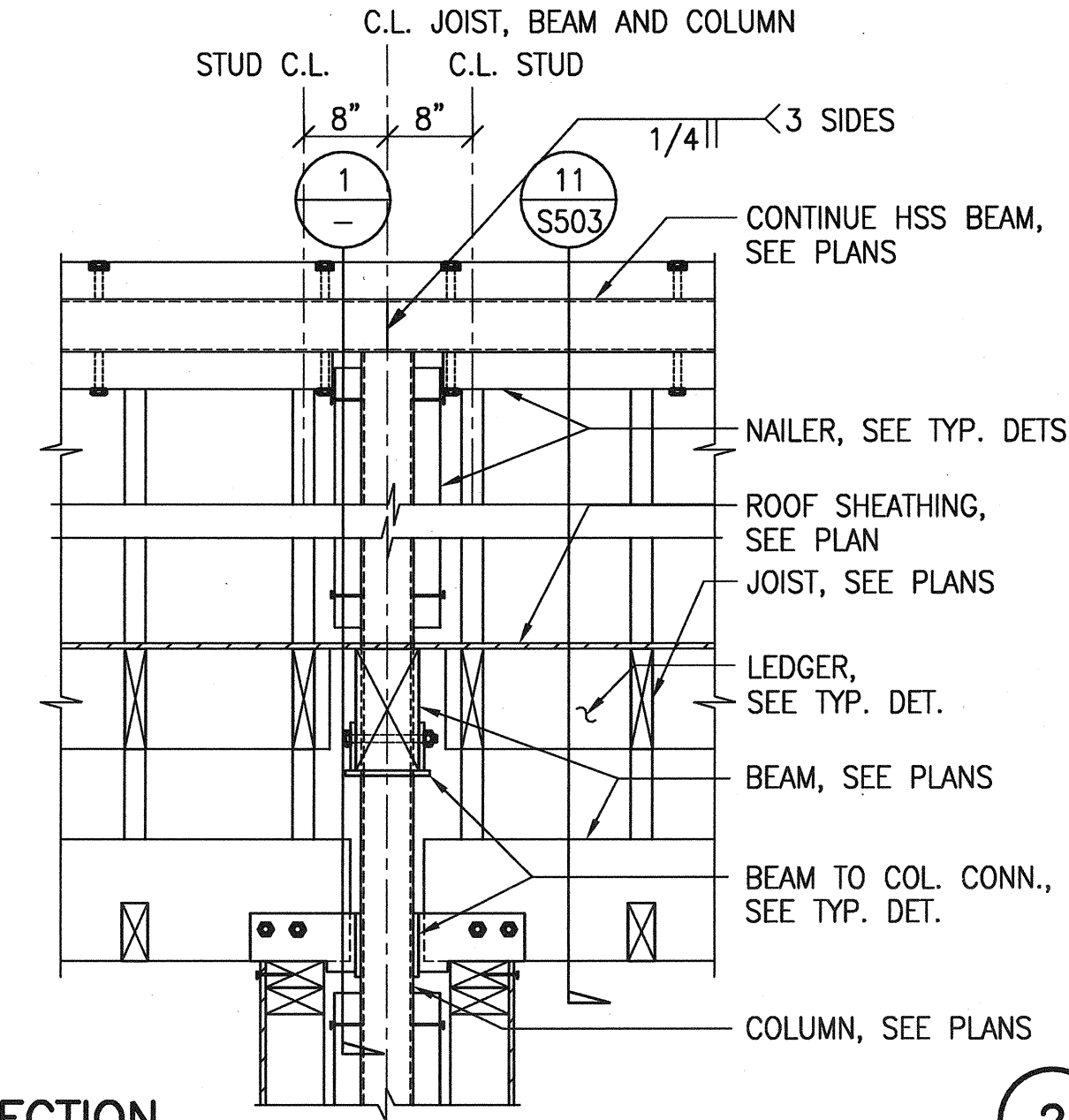
SECTION 5
N.T.S.



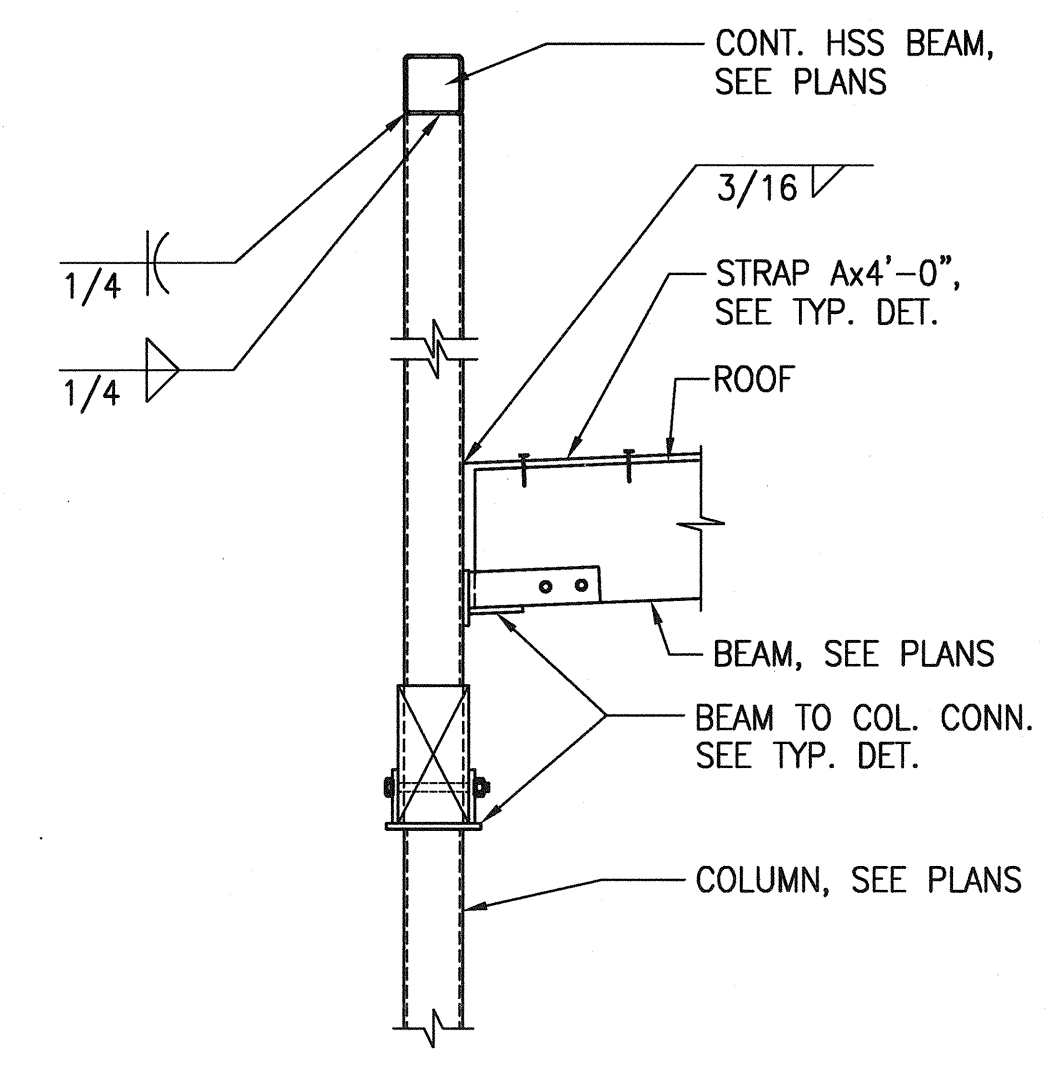
SECTION 4
N.T.S.



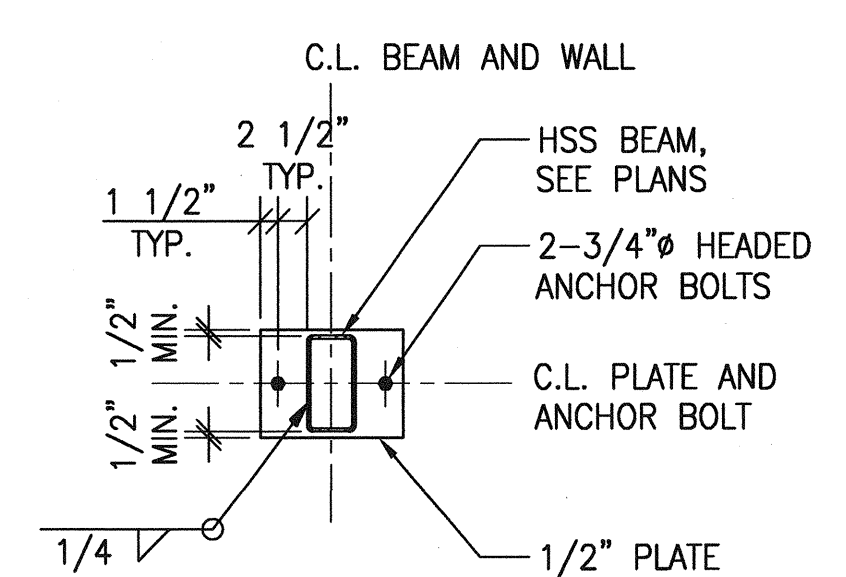
SECTION 3
N.T.S.



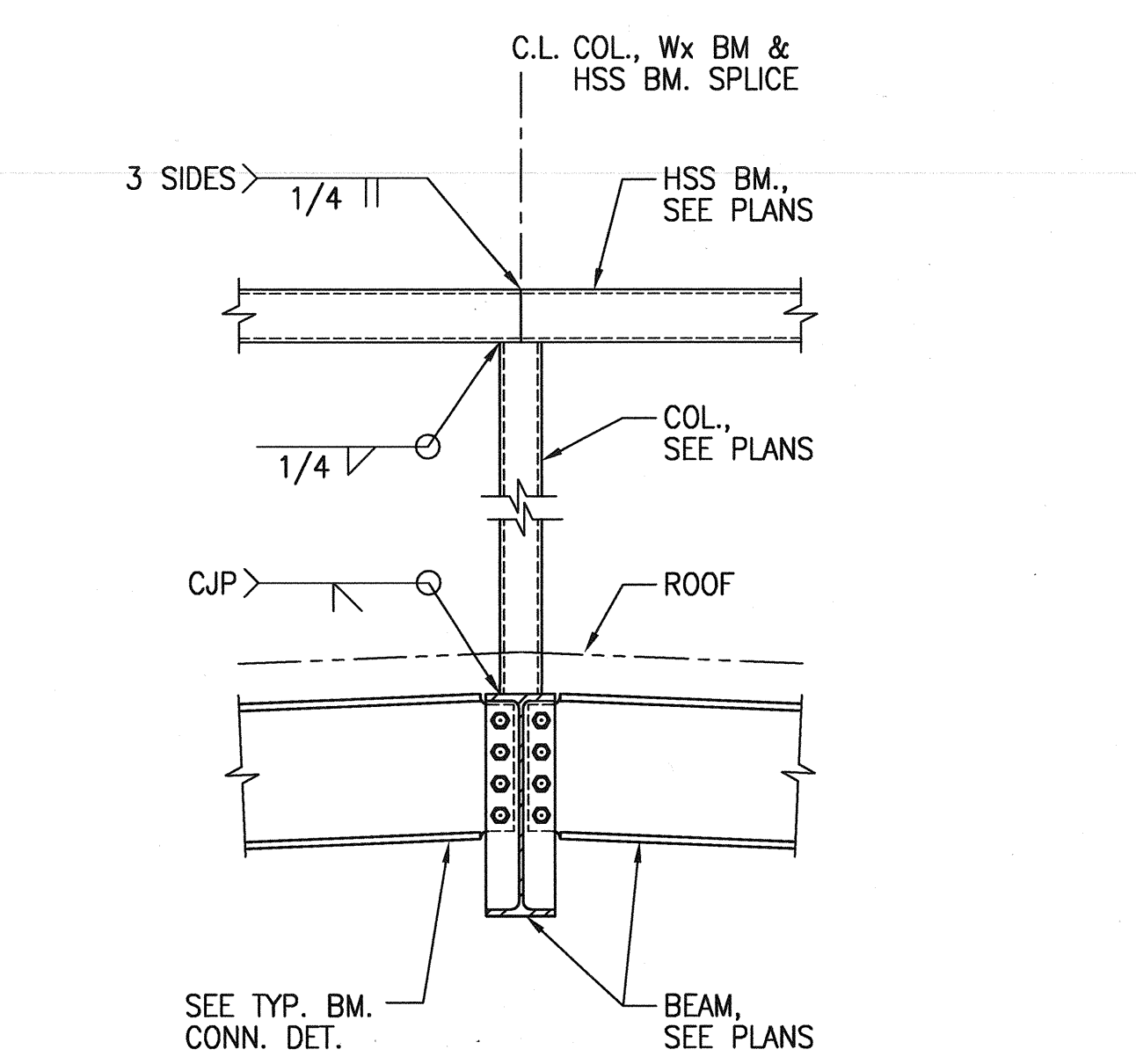
SECTION 2
N.T.S.



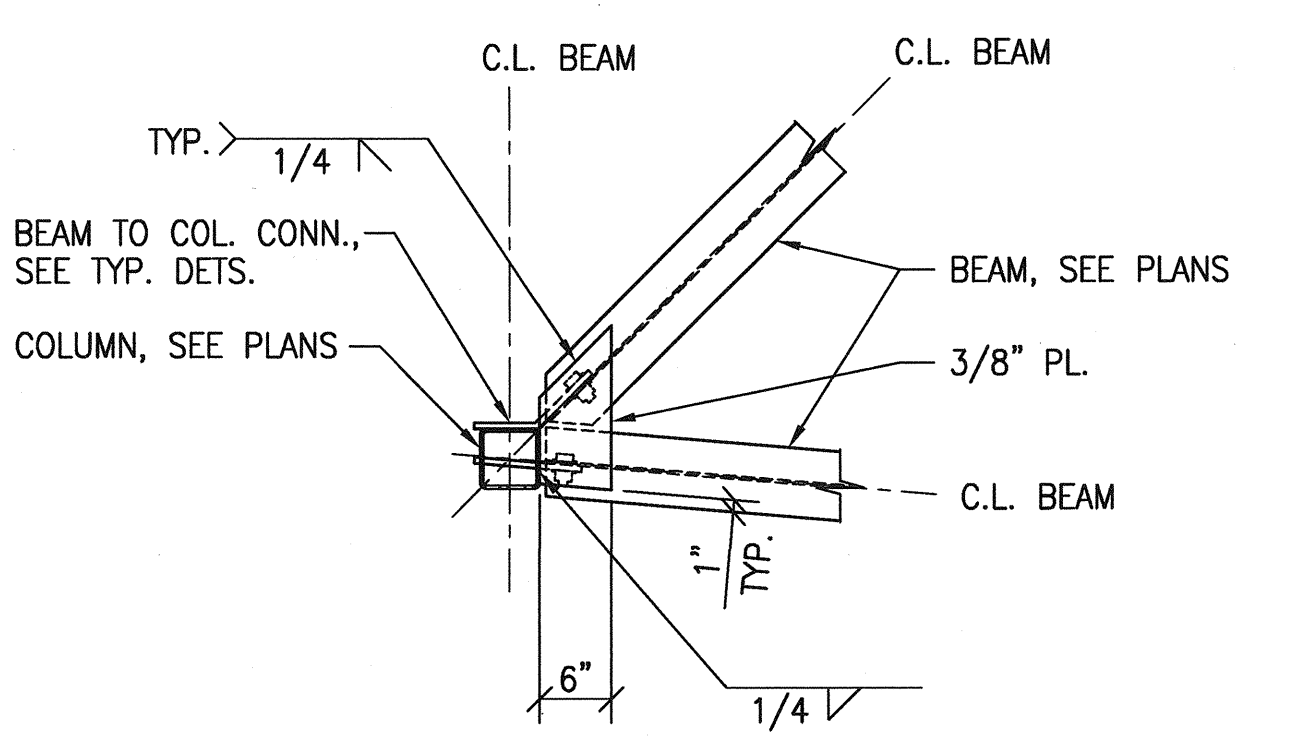
SECTION 1
N.T.S.



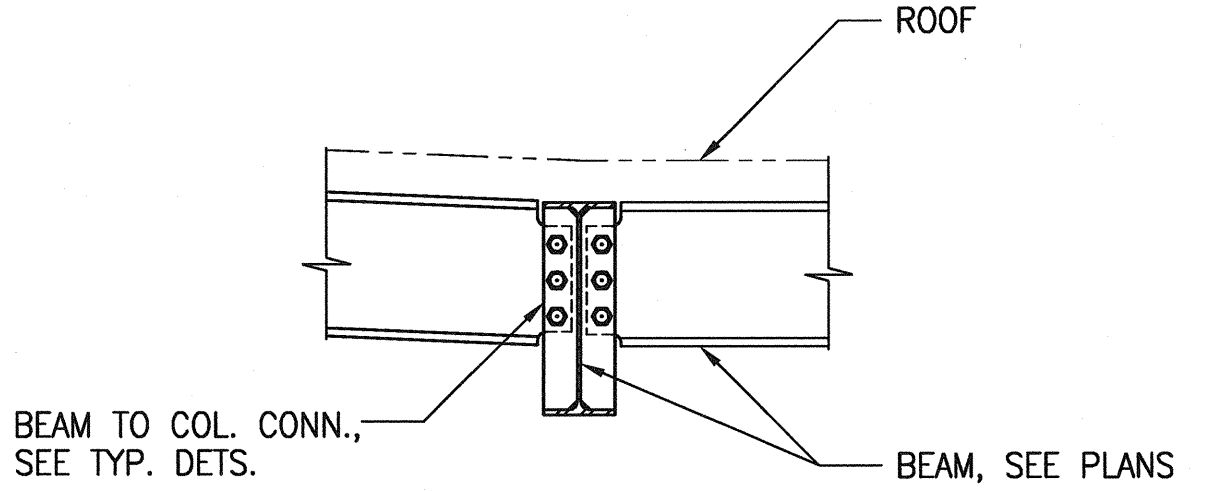
SECTION 10
N.T.S.



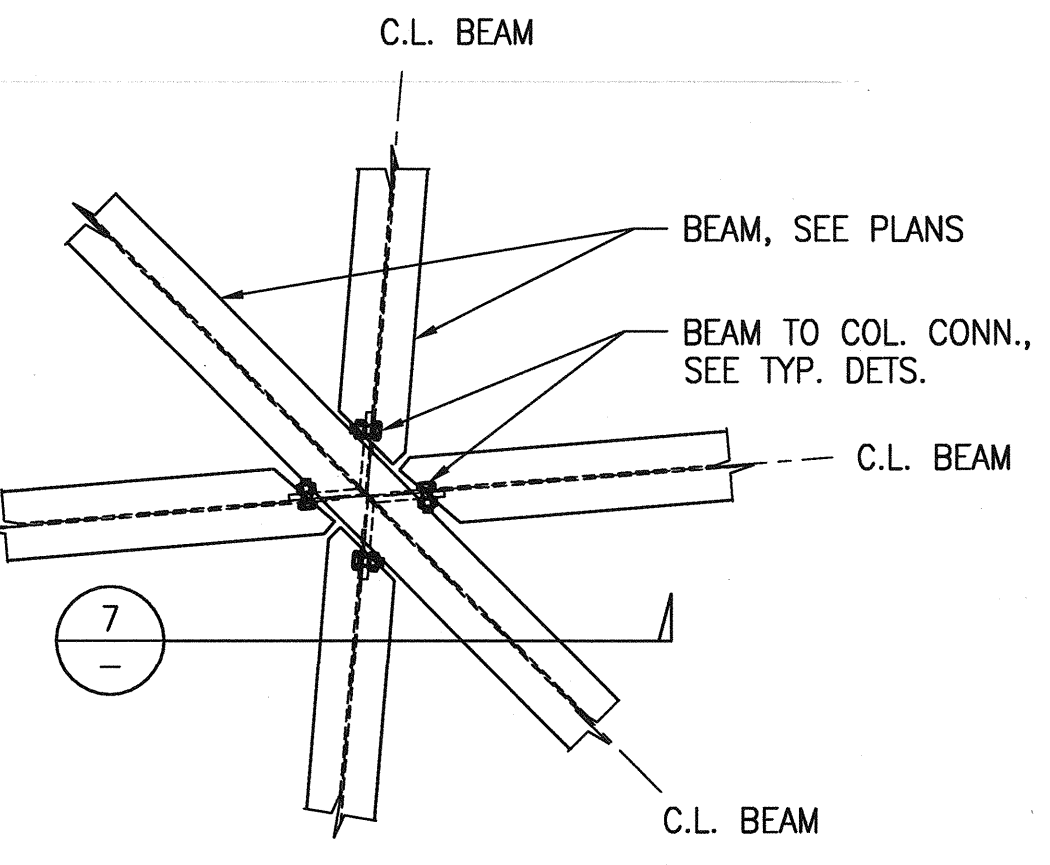
SECTION 9
N.T.S.



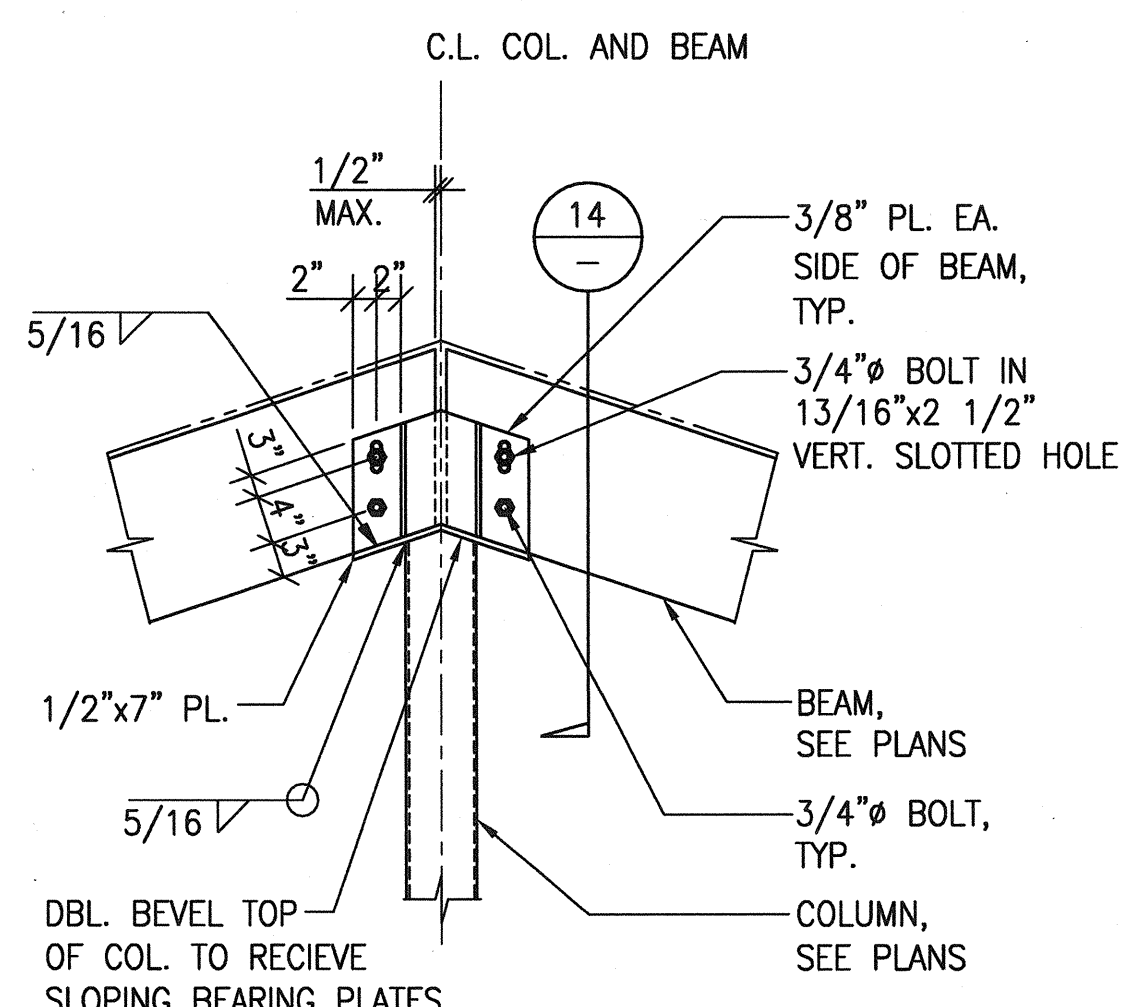
SECTION 8
N.T.S.



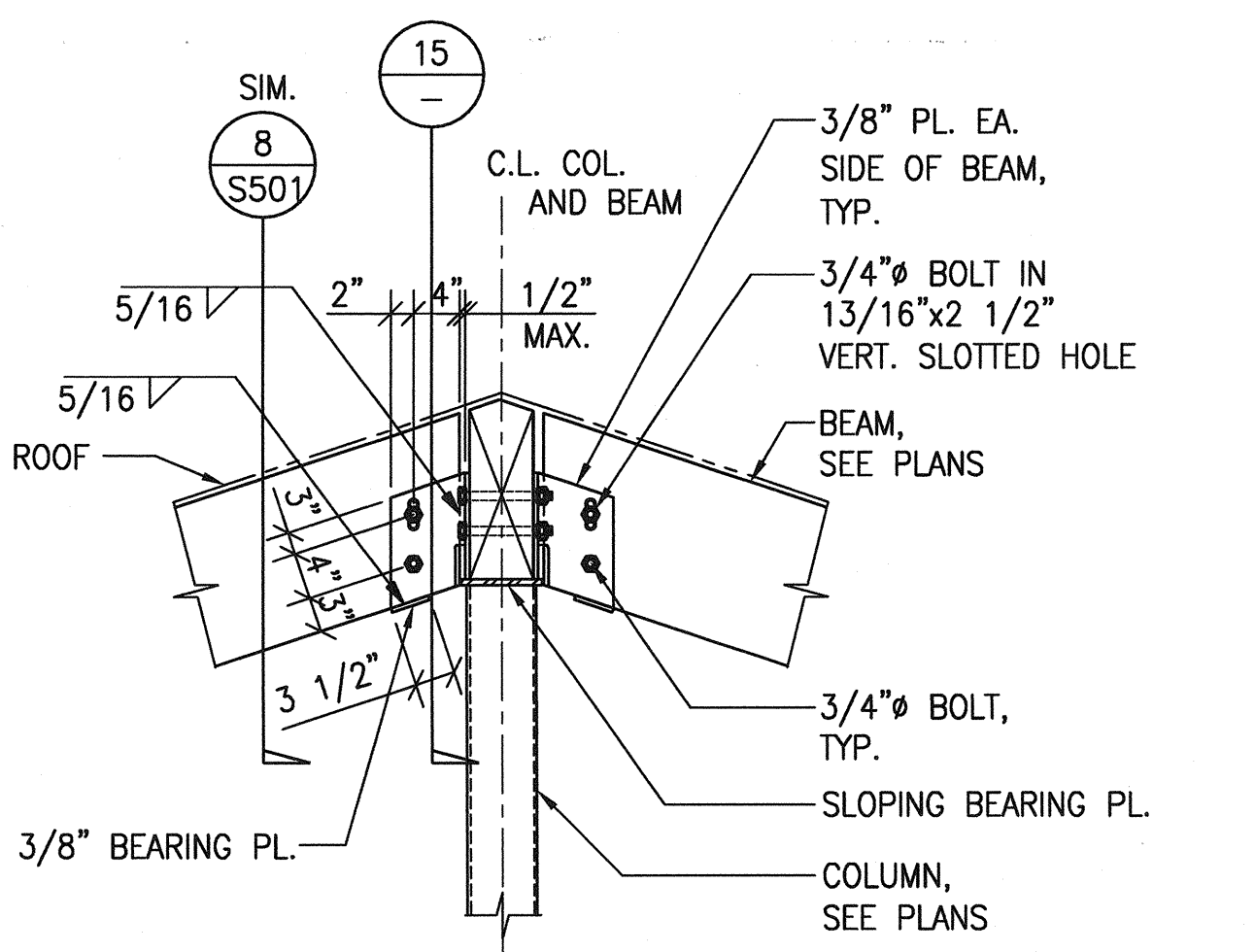
SECTION 7
N.T.S.



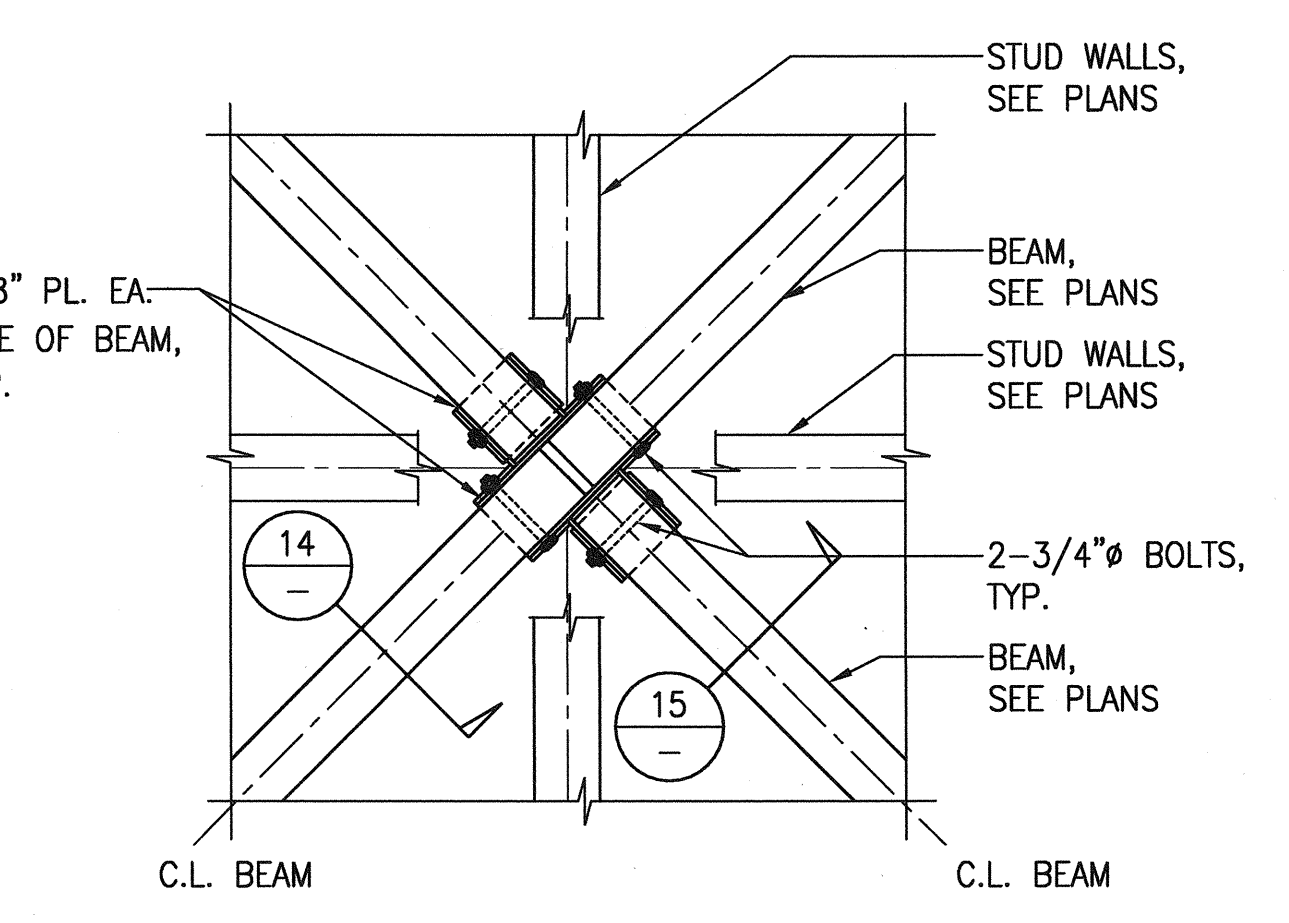
SECTION 6
N.T.S.



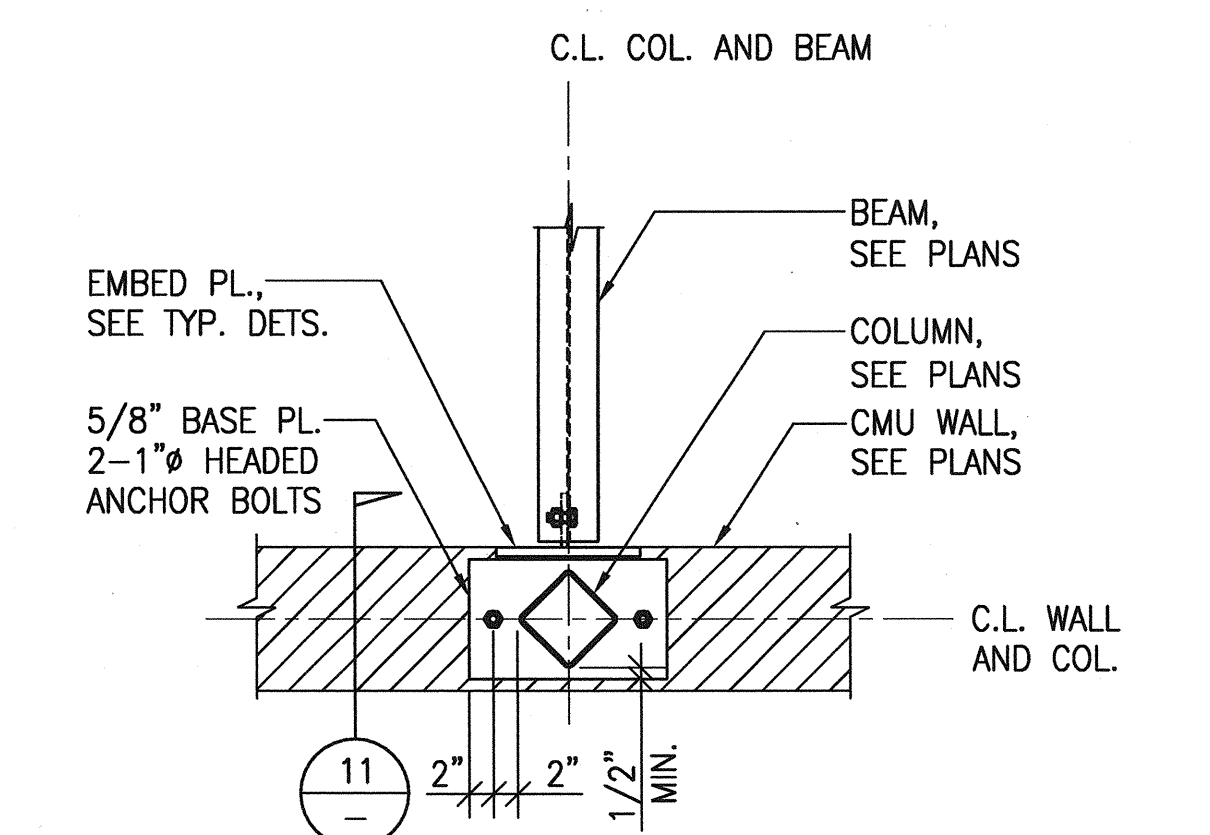
SECTION 14
N.T.S.



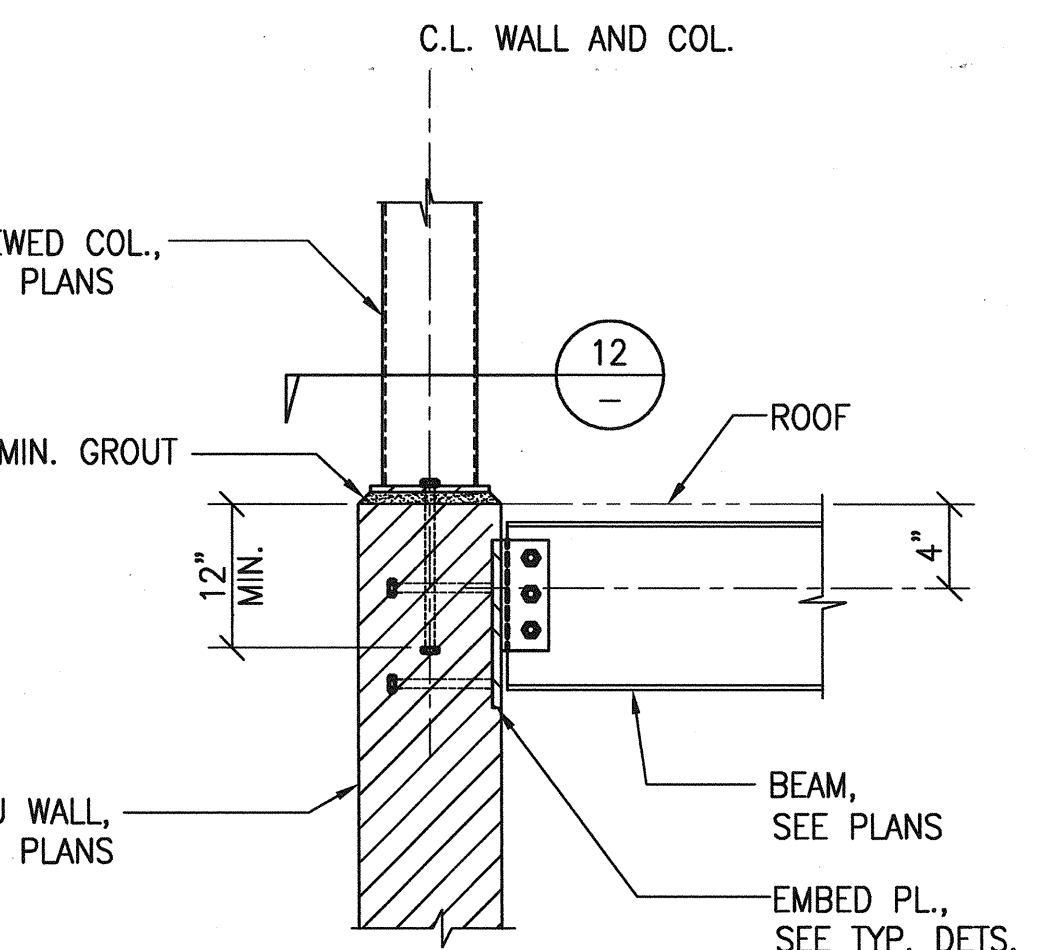
SECTION 15
N.T.S.



SECTION 13
N.T.S.



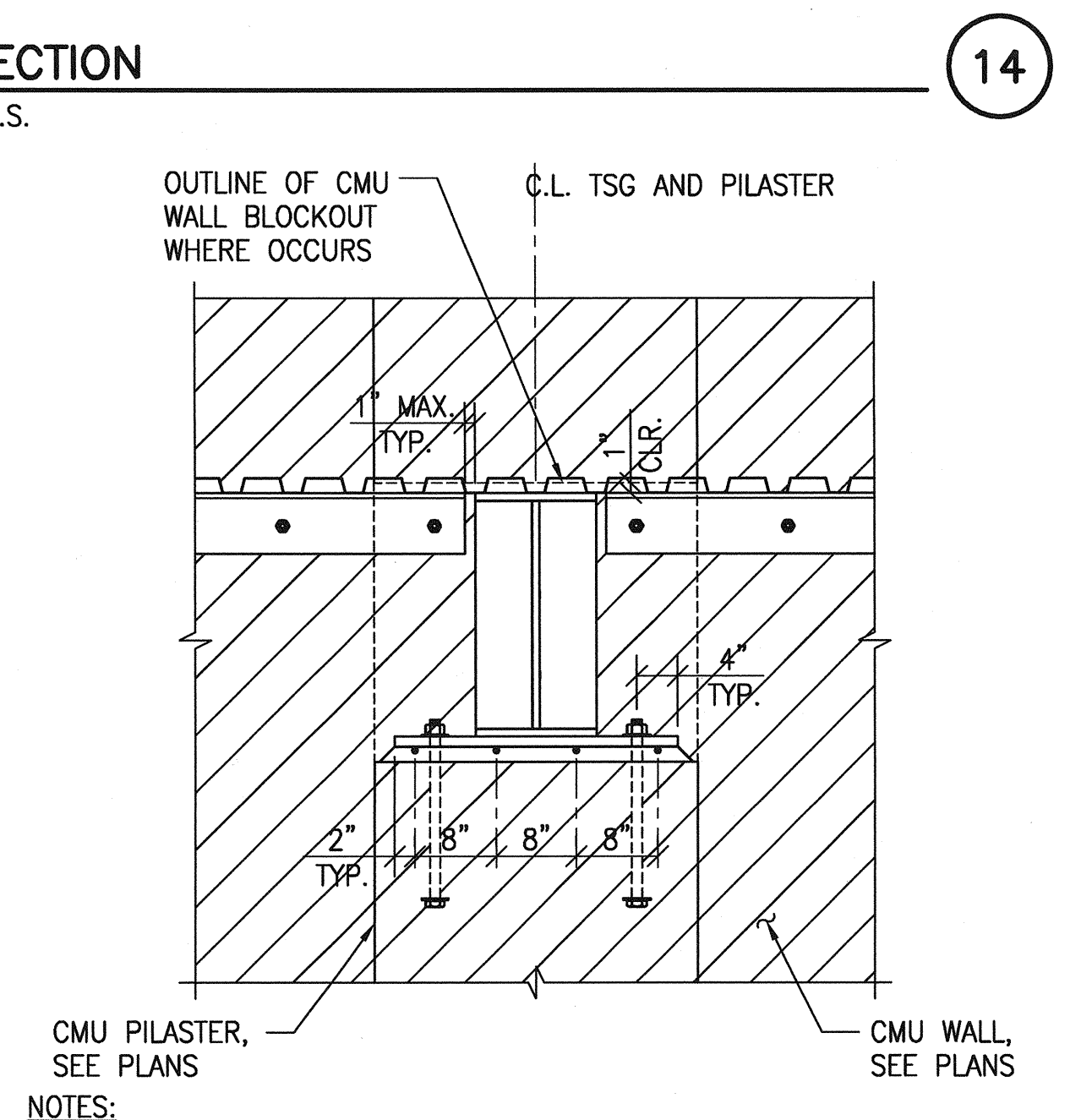
SECTION 12
N.T.S.



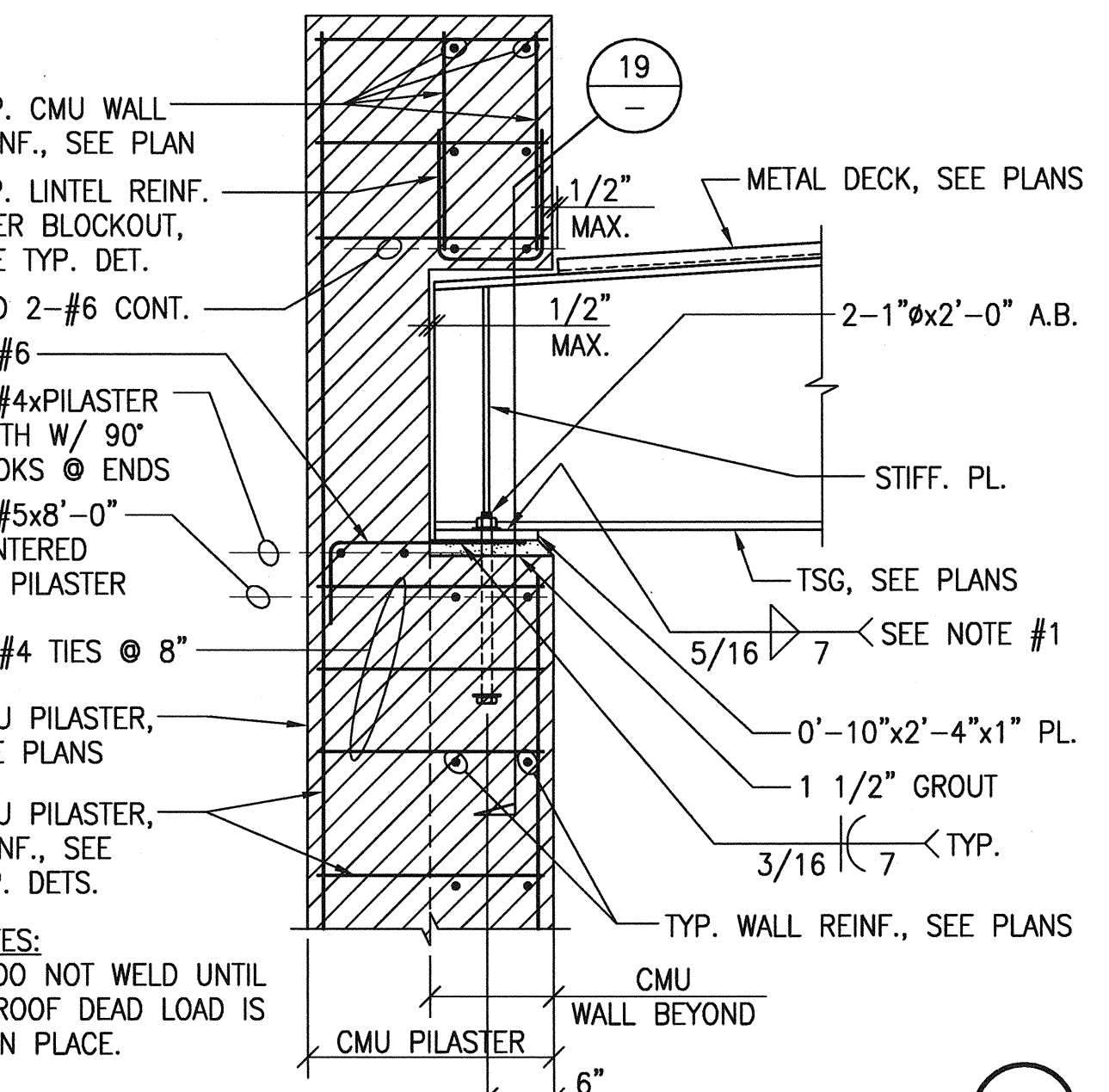
SECTION 11
N.T.S.



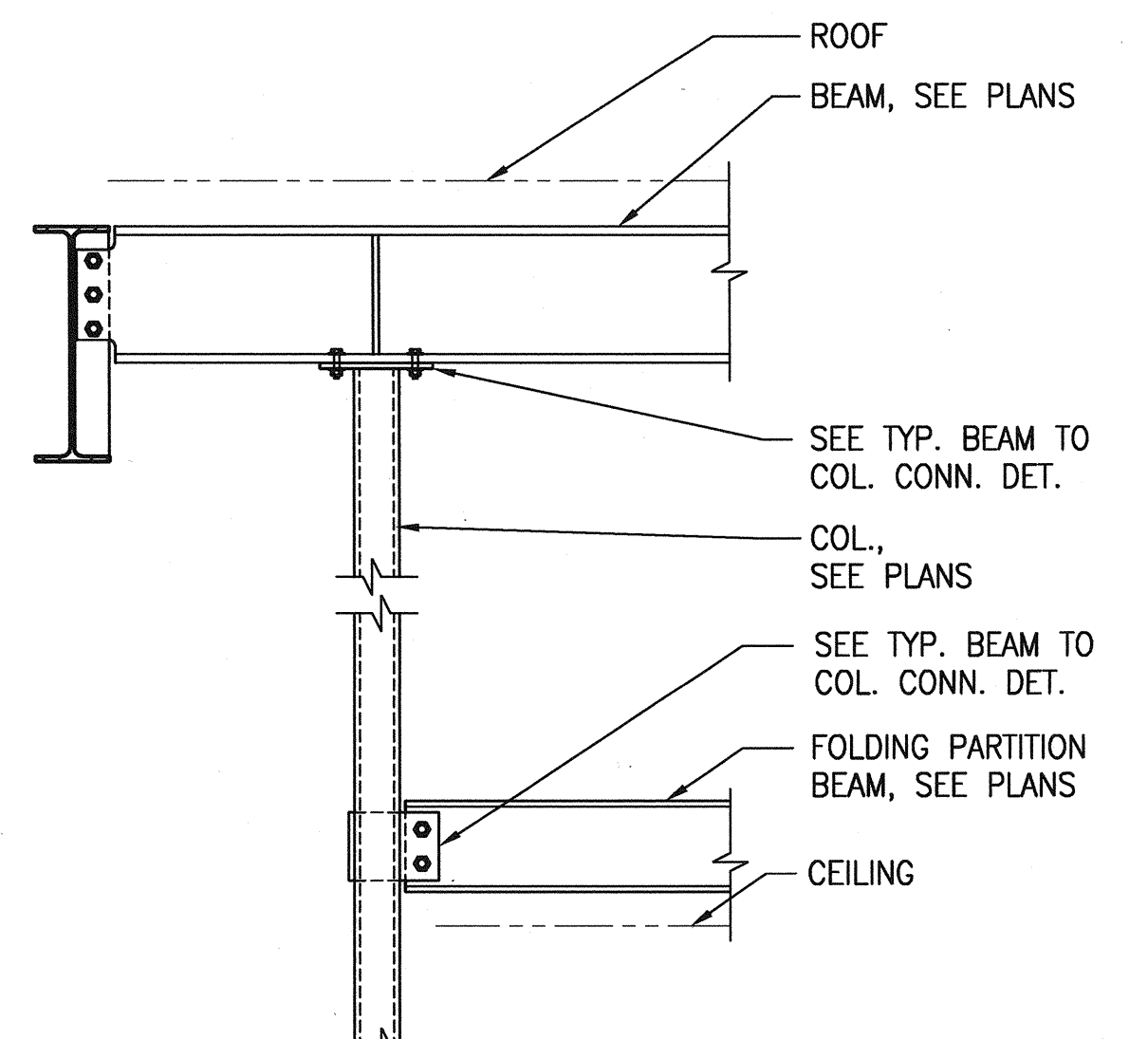
SECTION 19
N.T.S.



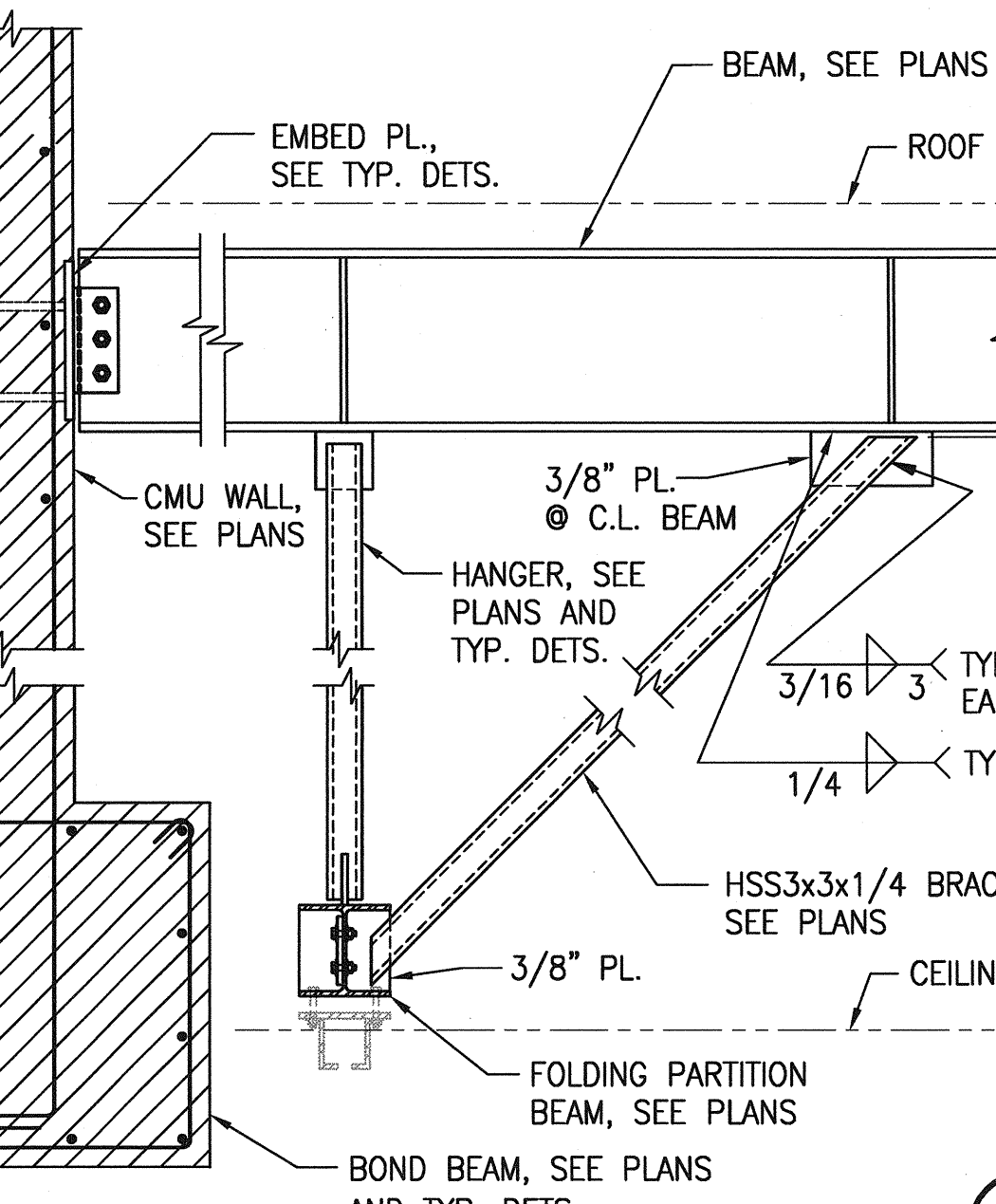
SECTION 18
N.T.S.



SECTION 17
N.T.S.



SECTION 16
N.T.S.



SECTION 16
N.T.S.

ORDIZ MELBY ARCHITECTS, INC.
5500 MING AVENUE SUITE 280
BAKERSFIELD, CALIFORNIA 93309
TELEPHONE (661) 832-5258
FACSIMILE (661) 832-4291

IDENTIFICATION STAMP
DIVISION OF STATE ARCHITECT
OFFICE OF REGULATION SERVICES
APPL. # 02-112027
FILE # 15-6
AC FLS SS GR
DATE JAN 20 2012
PTN # 63321-112

MARTIN & ASSOCIATES
JOHN A. MARTIN & ASSOCIATES
Structural Engineers
29129 The Old Road, Ste. 316
Stevenson Ranch, Ca. 91381
Phone (661) 260-2846
Fax (661) 260-2849
JAMA JOB #13145

PROFESSIONAL SEAL
No. 4483
ARCHITECT
STATE OF CALIFORNIA

NEW ELEMENTARY SCHOOL
9801 HIGHLAND KNOLLS DR.
BAKERSFIELD CALIFORNIA 93306

NEW MIDDLE SCHOOL
4115 VINELAND ROAD
BAKERSFIELD CALIFORNIA 93306

FOR: BAKERSFIELD CITY SCHOOL DISTRICT

1300 BAKER STREET
BAKERSFIELD CALIFORNIA 93305

MARK	DATE	DESCRIPTION
△		
△		
△		

JOB NUMBER: 20101244
CAL DRAWING FILE
DRAWN BY: MDC
CHECKED BY: RH
CHECK AND VERIFY ALL DIMENSIONS BEFORE PROCEEDING WITH THE WORK. REPORT DISCREPANCIES TO THE ARCHITECT.
THE DRAWINGS, IDEAS, AND DESIGNS REPRESENTED ON THIS SHEET ARE THE PROPERTY OF THE ARCHITECT.
COPYRIGHT © ORDIZ MELBY ARCHITECTS, INC. 2010
SHEET TITLE

SECTIONS & DETAILS

SHEET IDENTIFICATION NUMBER
S702