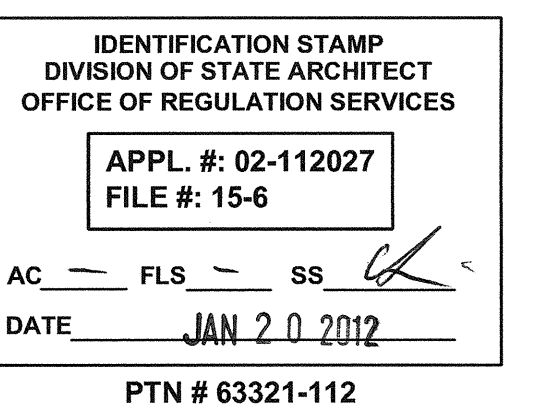


ORDIZ MELBY
ARCHITECTS, INC.

5500 MING AVENUE SUITE 280
BAKERSFIELD, CALIFORNIA 93309
TELEPHONE (861) 832-5258
FACSIMILE (861) 832-4291



William J. Melby
DANN E. ORDIZ, AIA
ARCHITECT C-14,728
WILLIAM J. MELBY, AIA
ARCHITECT C-16,835



MARTIN & ASSOCIATES
JOHN A. MARTIN & ASSOCIATES
Structural Engineers
29128 The Old Road, Ste. 318
Stevenson Ranch, Ca. 91381
Phone (861) 260-2848
Fax (861) 260-2649
JAMA JOB #13145



NEW ELEMENTARY SCHOOL
9801 HIGHLAND KNOLLS DR.
BAKERSFIELD CALIFORNIA 93306

NEW MIDDLE SCHOOL
4115 VINELAND ROAD
BAKERSFIELD CALIFORNIA 93306

FOR: BAKERSFIELD CITY SCHOOL DISTRICT

1300 BAKER STREET
BAKERSFIELD CALIFORNIA 93305

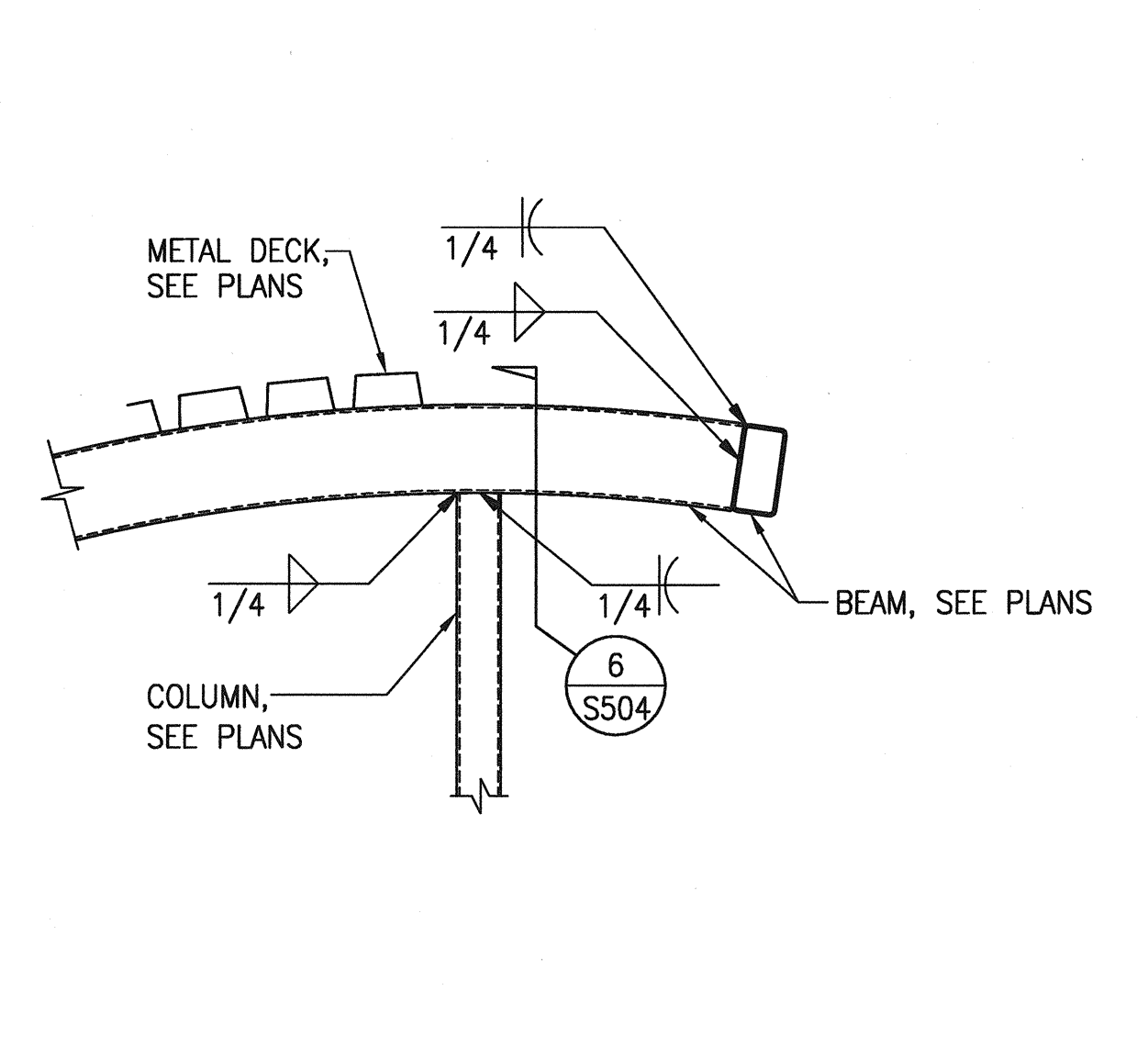
MARK	DATE	DESCRIPTION
△		
△		
△		
△		

JOB NUMBER: 20101244
CAD DRAWING FILE:

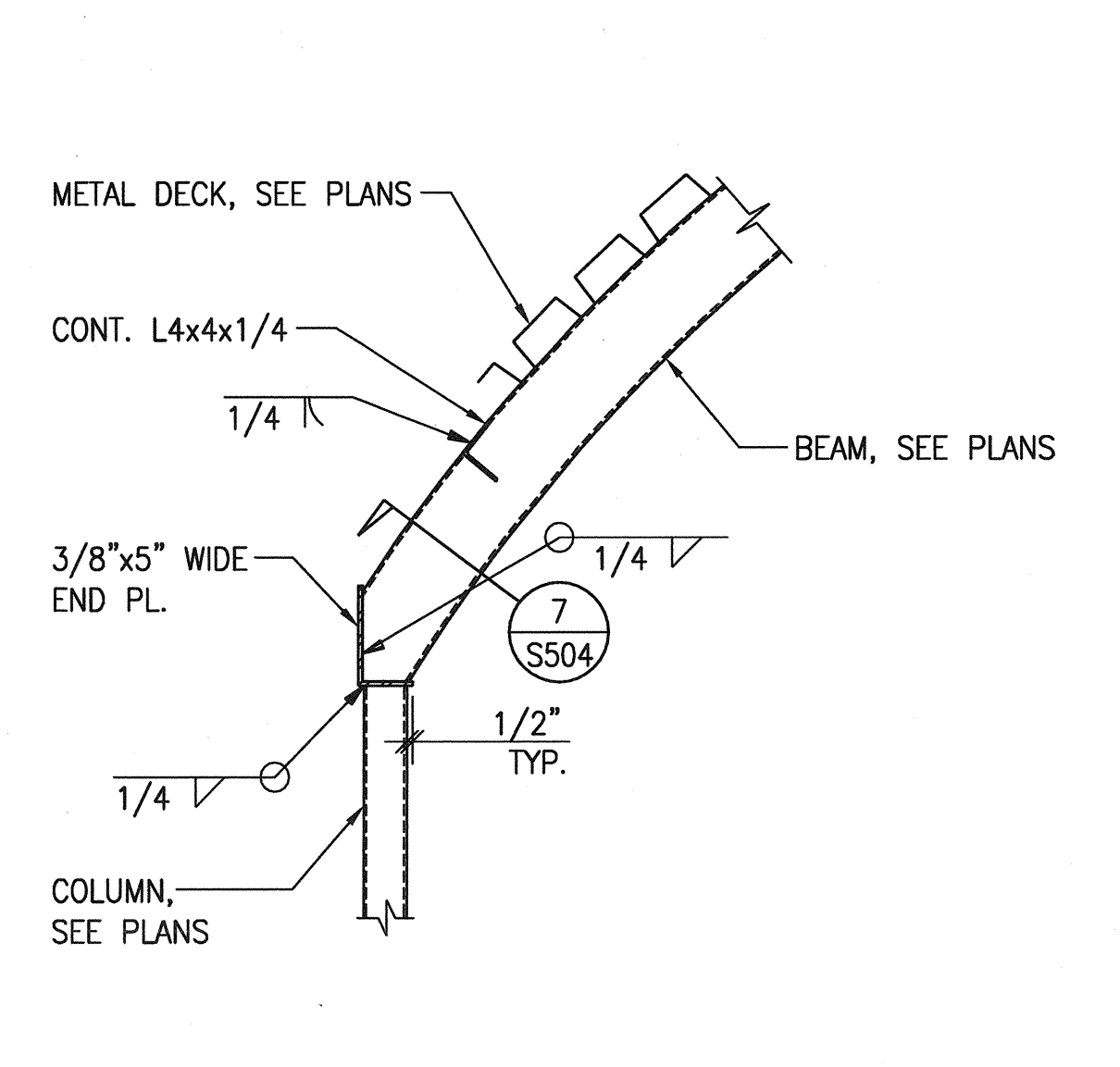
DRAWN BY: RH
CHECKED BY:
CHECK AND VERIFY ALL DIMENSIONS BEFORE PROCEEDING WITH THE WORK. REPORT DISCREPANCIES TO THE ARCHITECT. THE DRAWINGS, IDEAS, AND DESIGNS REPRESENTED ON THIS SHEET ARE THE PROPERTY OF THE ARCHITECT.

COPYRIGHT ORDIZ-MELBY ARCHITECTS, INC. 2010
SHEET TITLE

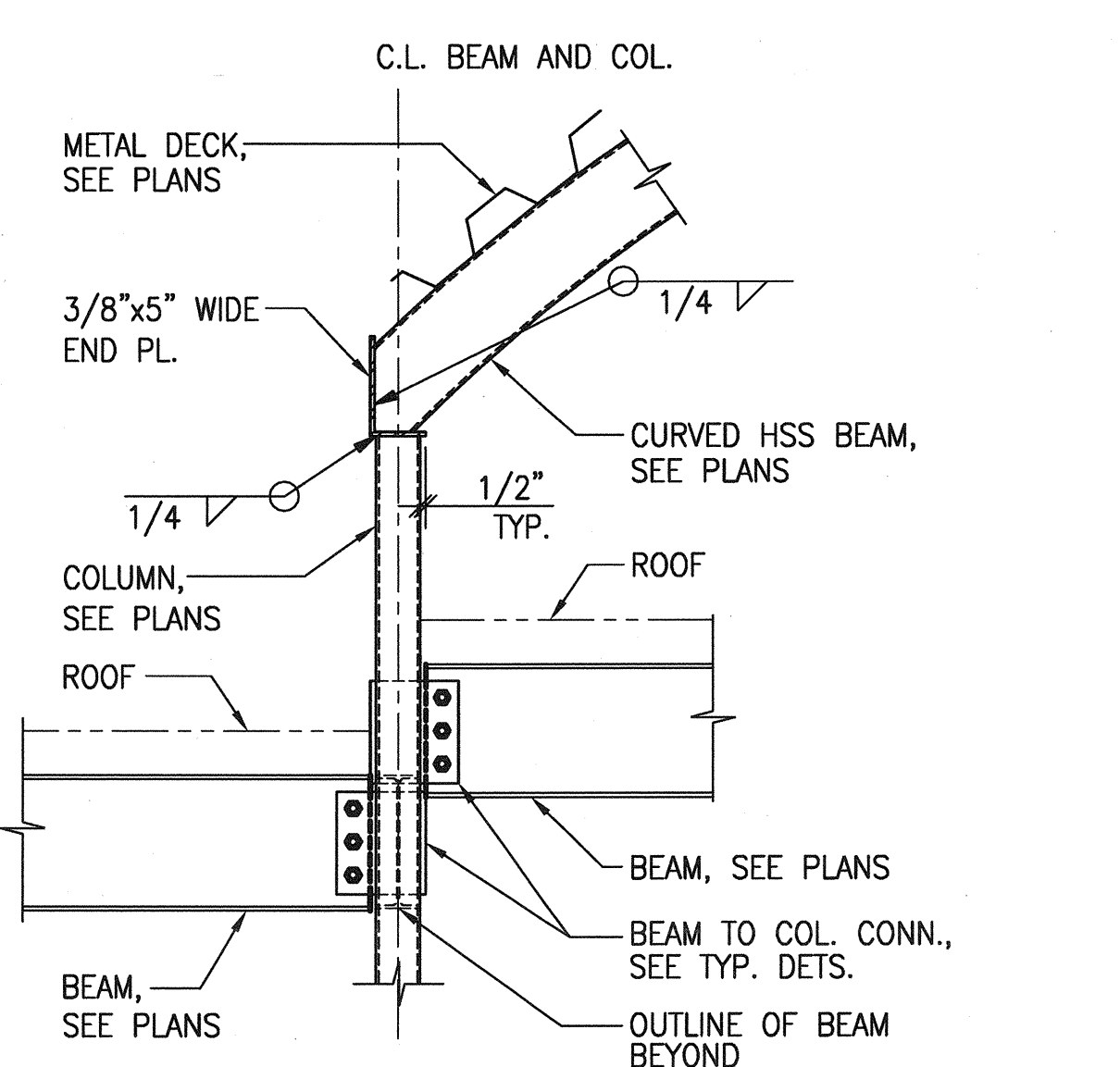
SHEET IDENTIFICATION NUMBER
S701



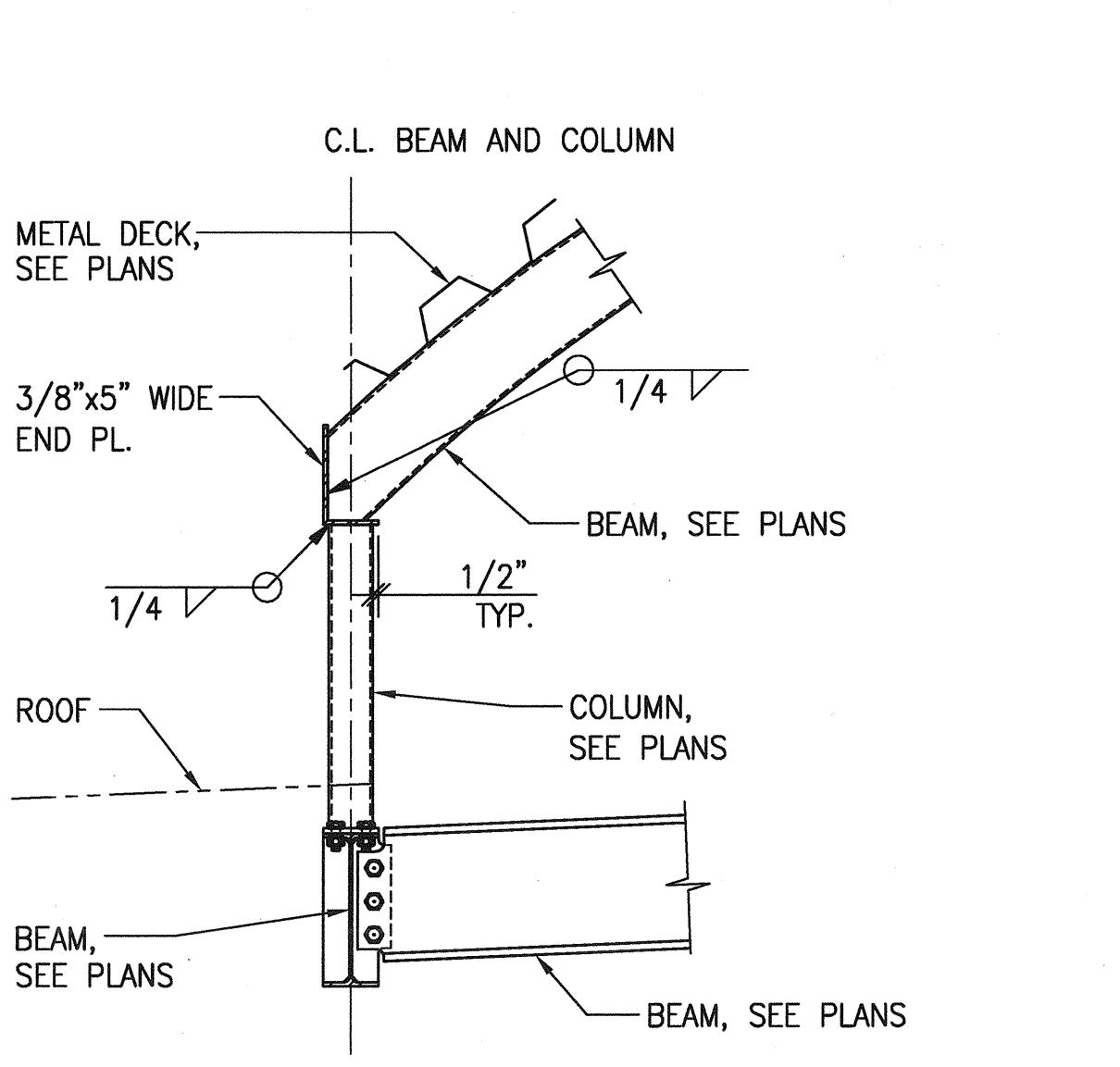
SECTION 1
N.T.S.



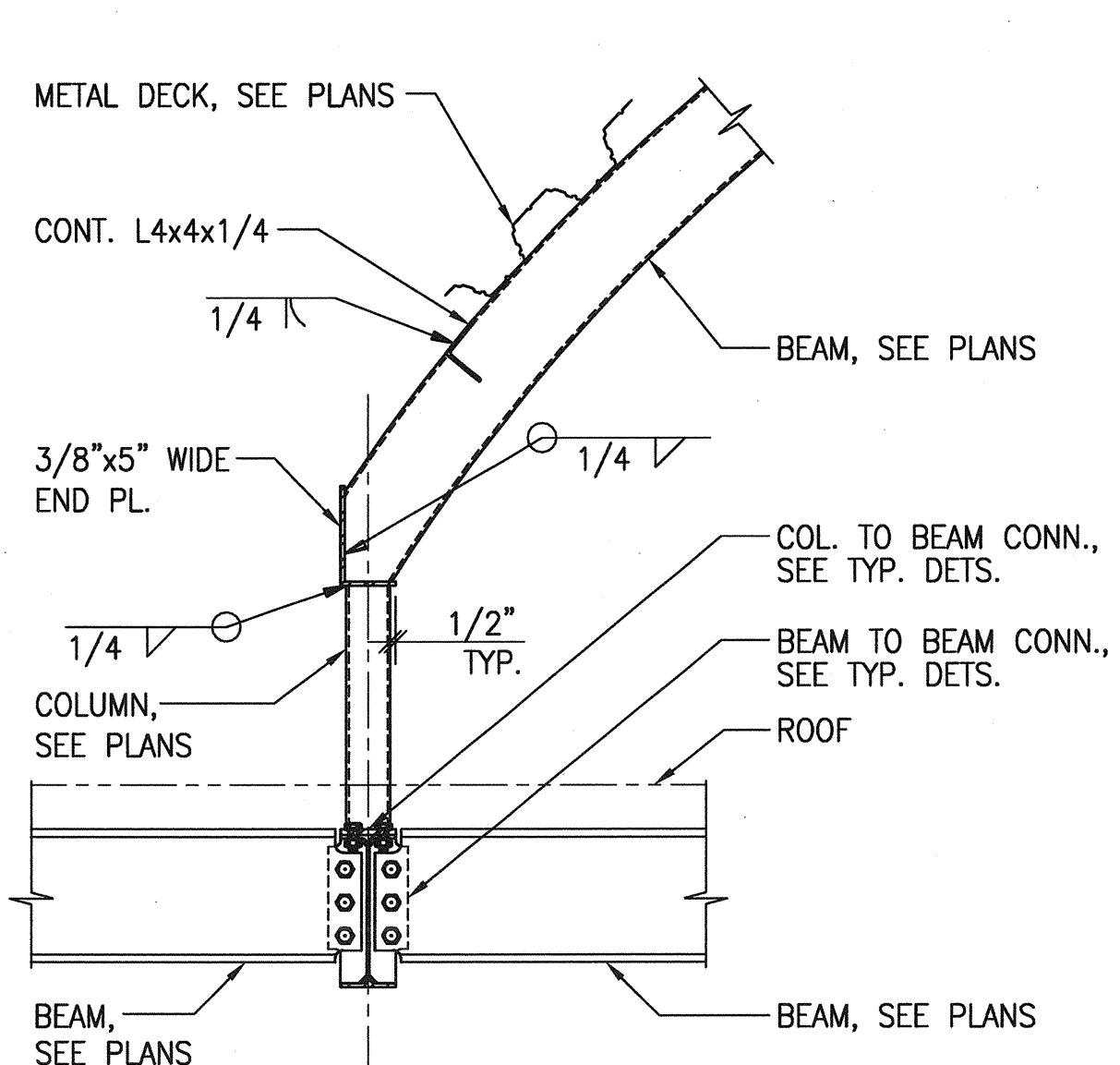
SECTION 2
N.T.S.



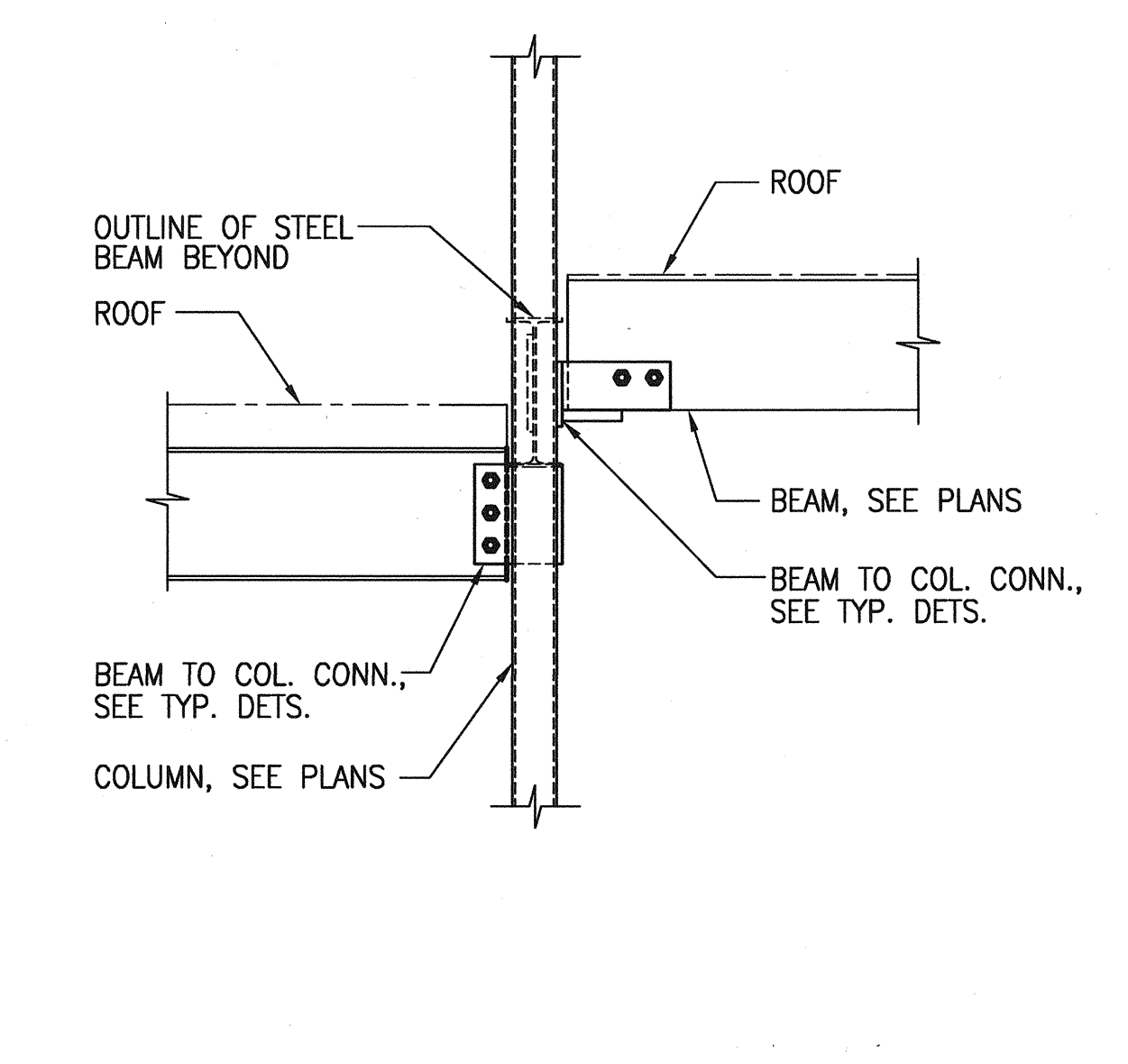
SECTION 3
N.T.S.



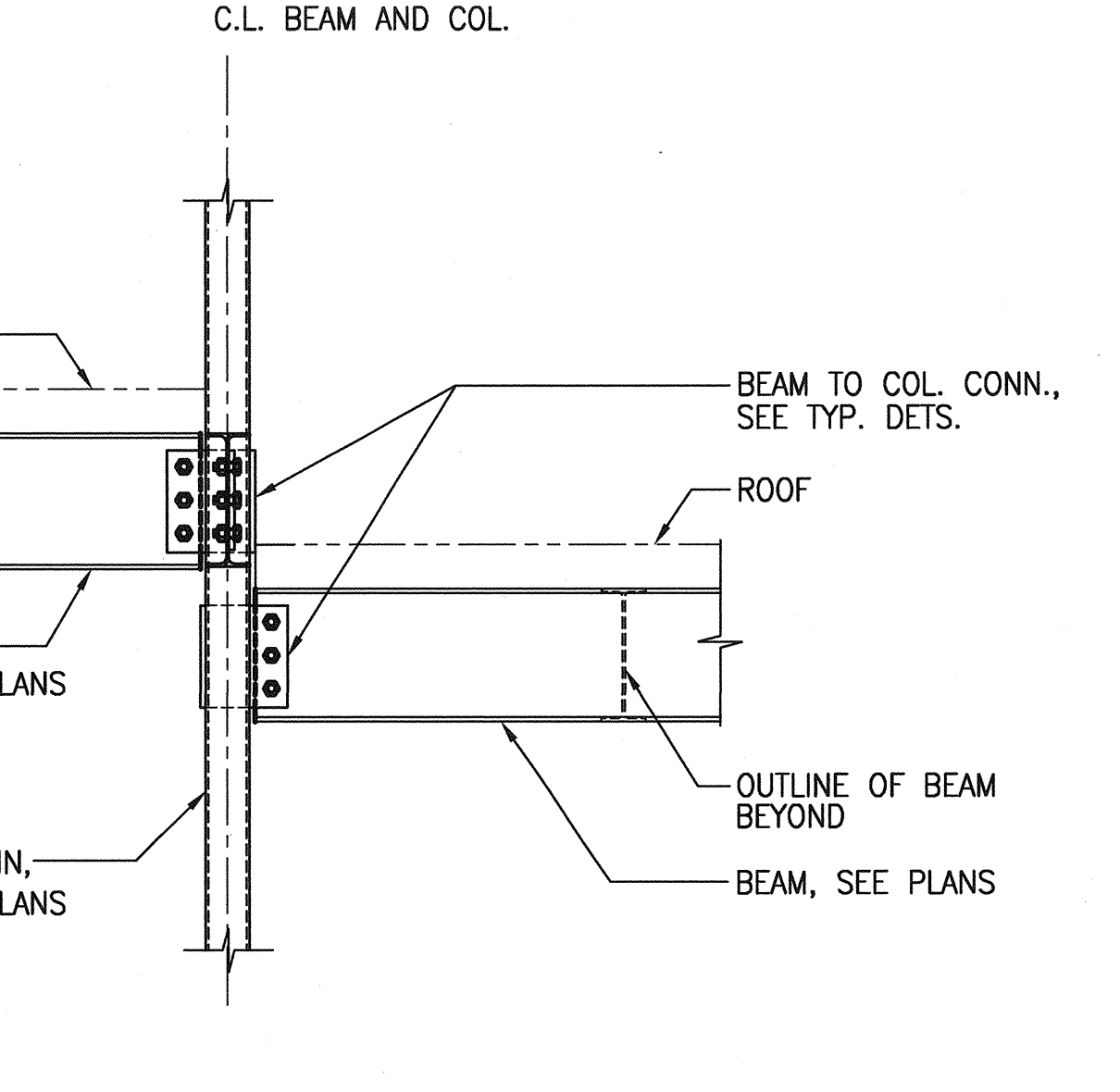
SECTION 4
N.T.S.



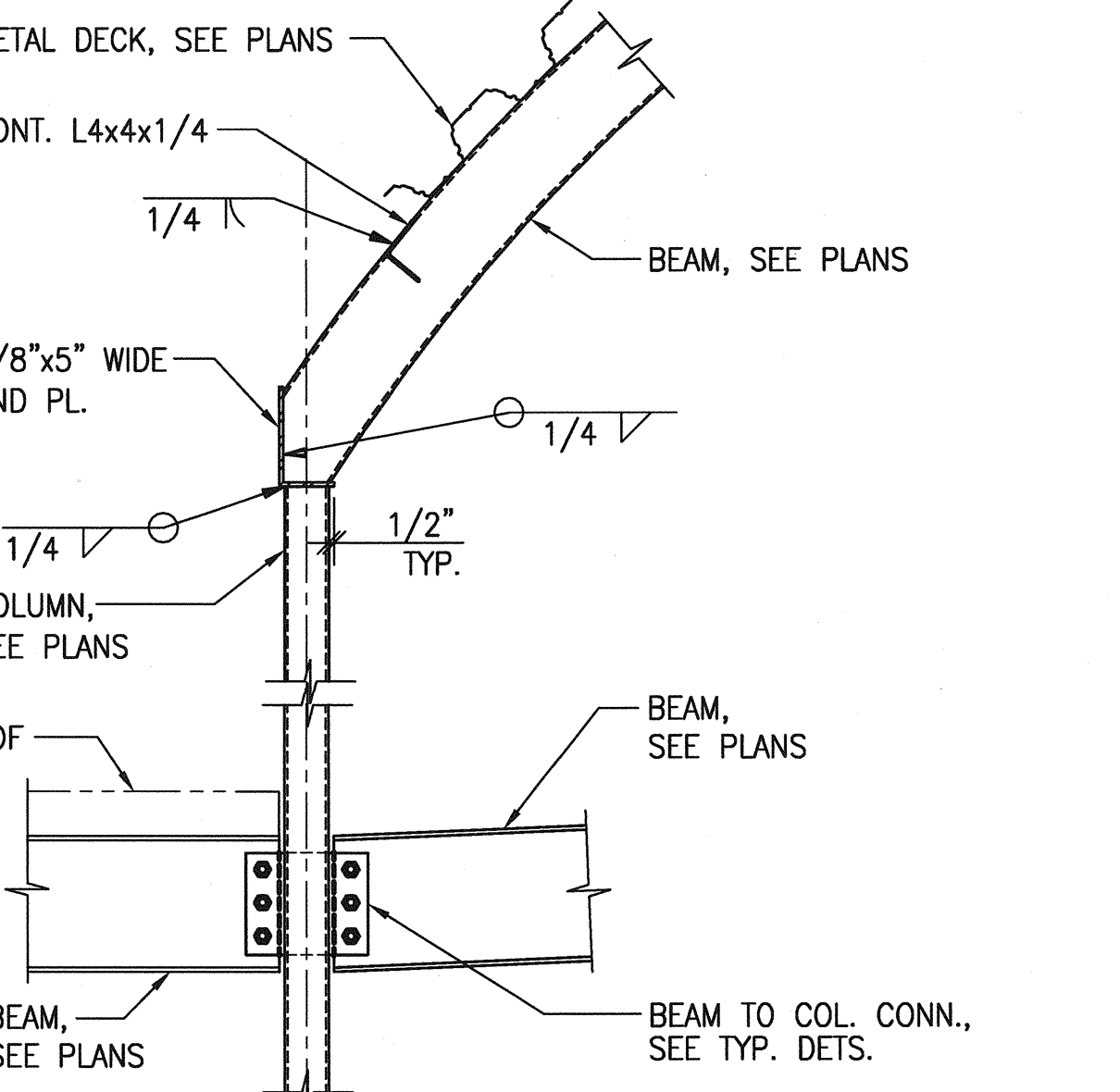
SECTION 5
N.T.S.



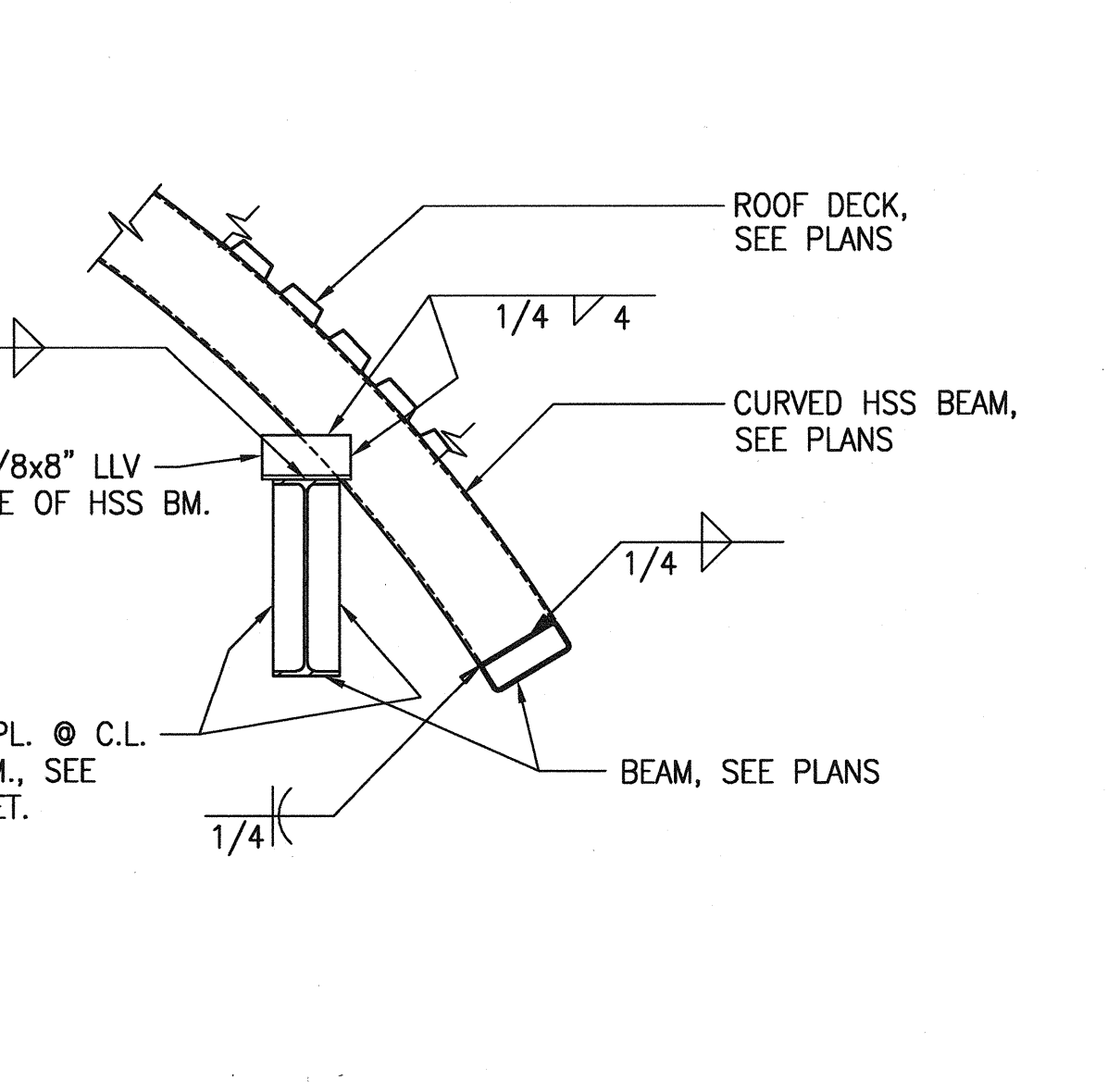
SECTION 6
N.T.S.



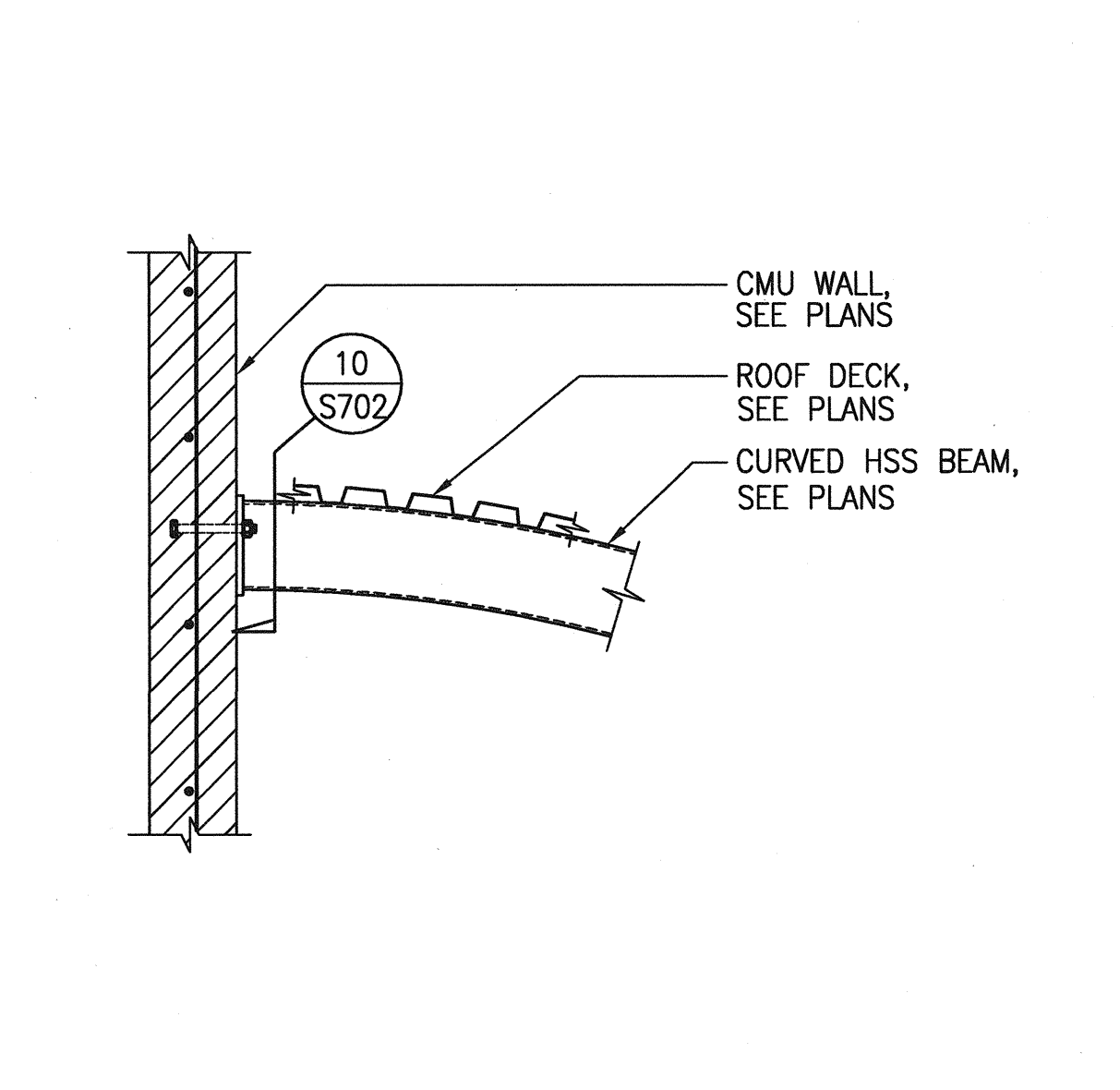
SECTION 7
N.T.S.



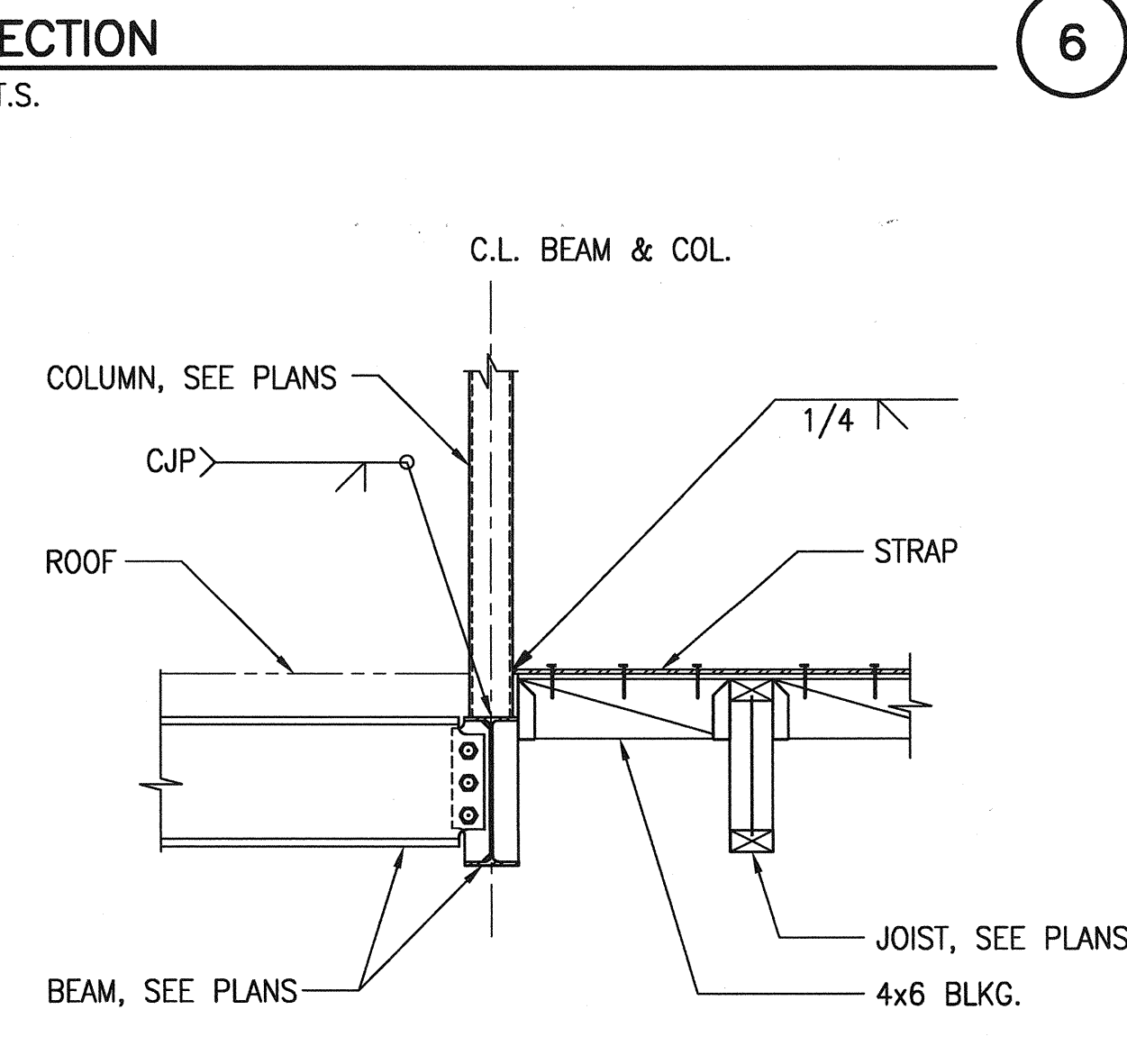
SECTION 8
N.T.S.



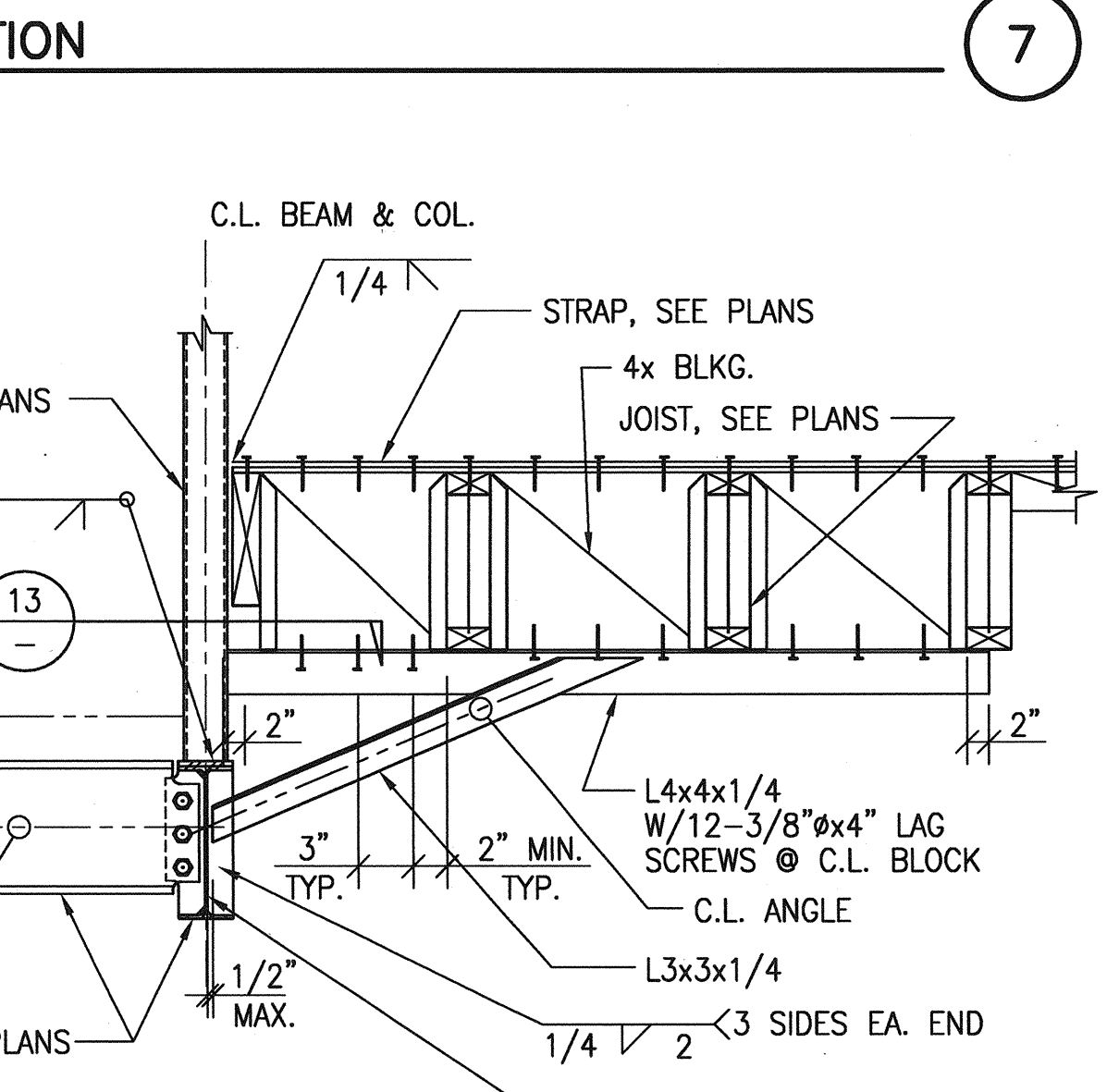
SECTION 9
N.T.S.



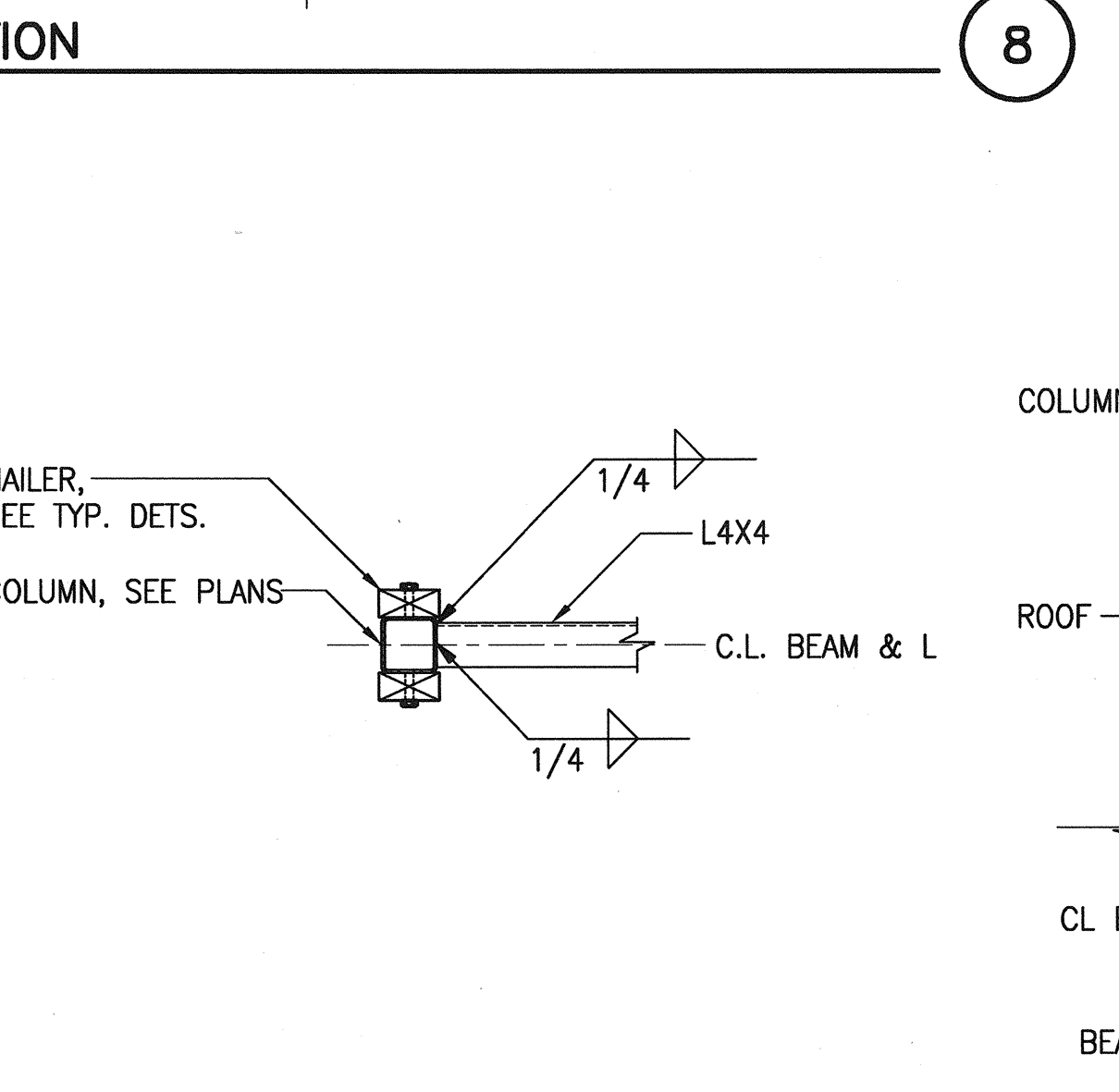
SECTION 10
N.T.S.



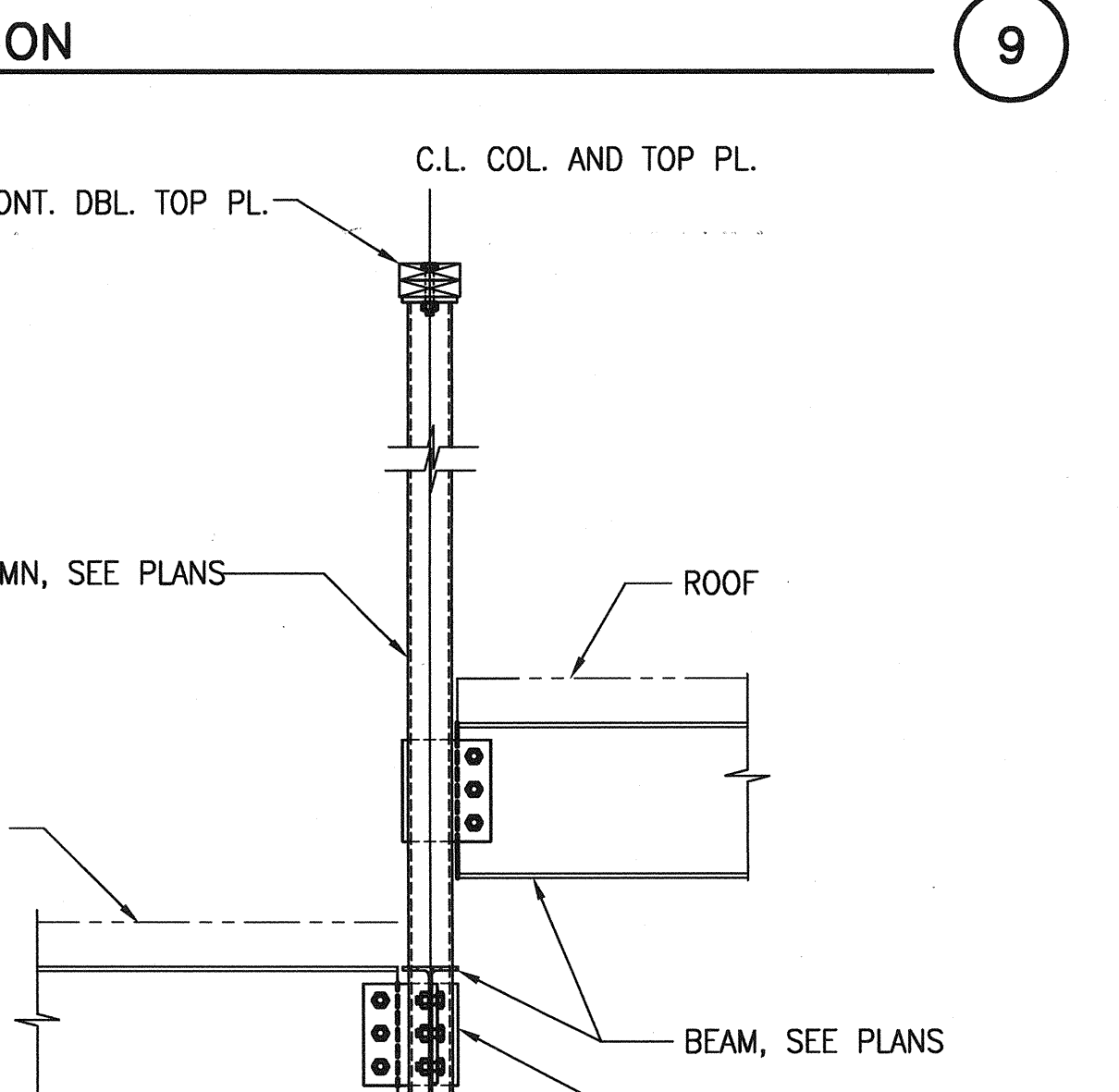
SECTION 11
N.T.S.



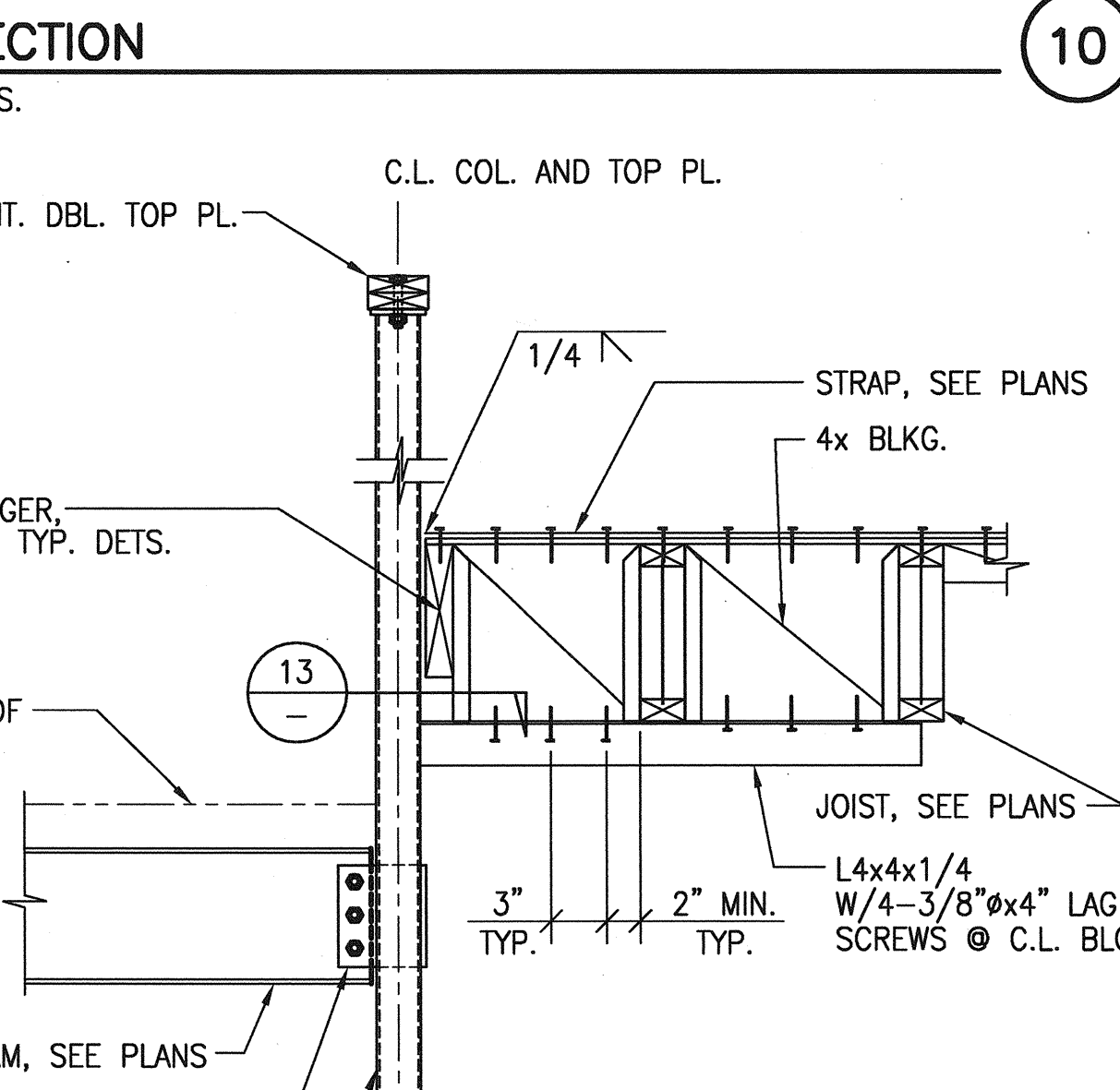
SECTION 12
N.T.S.



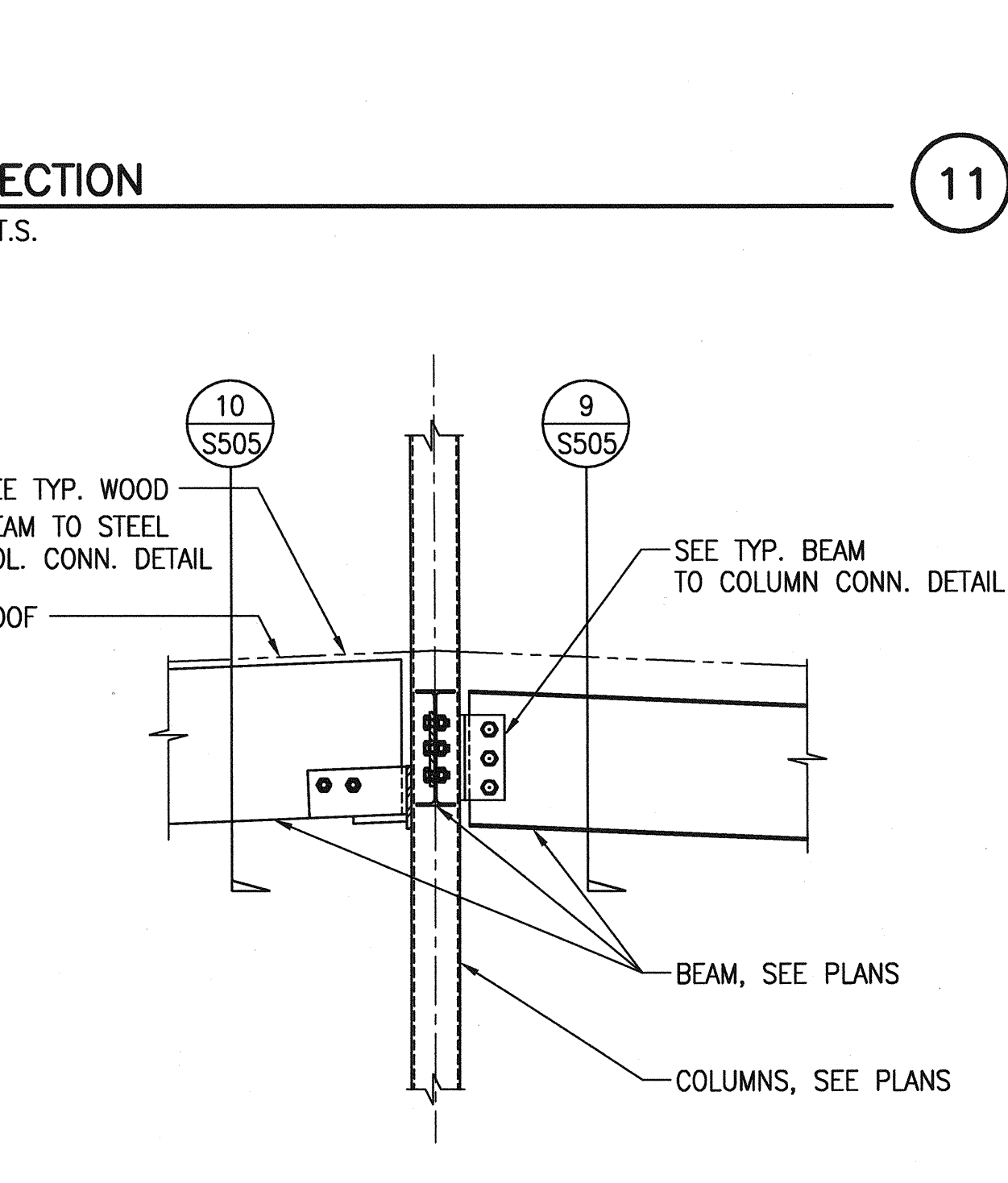
SECTION 13
N.T.S.



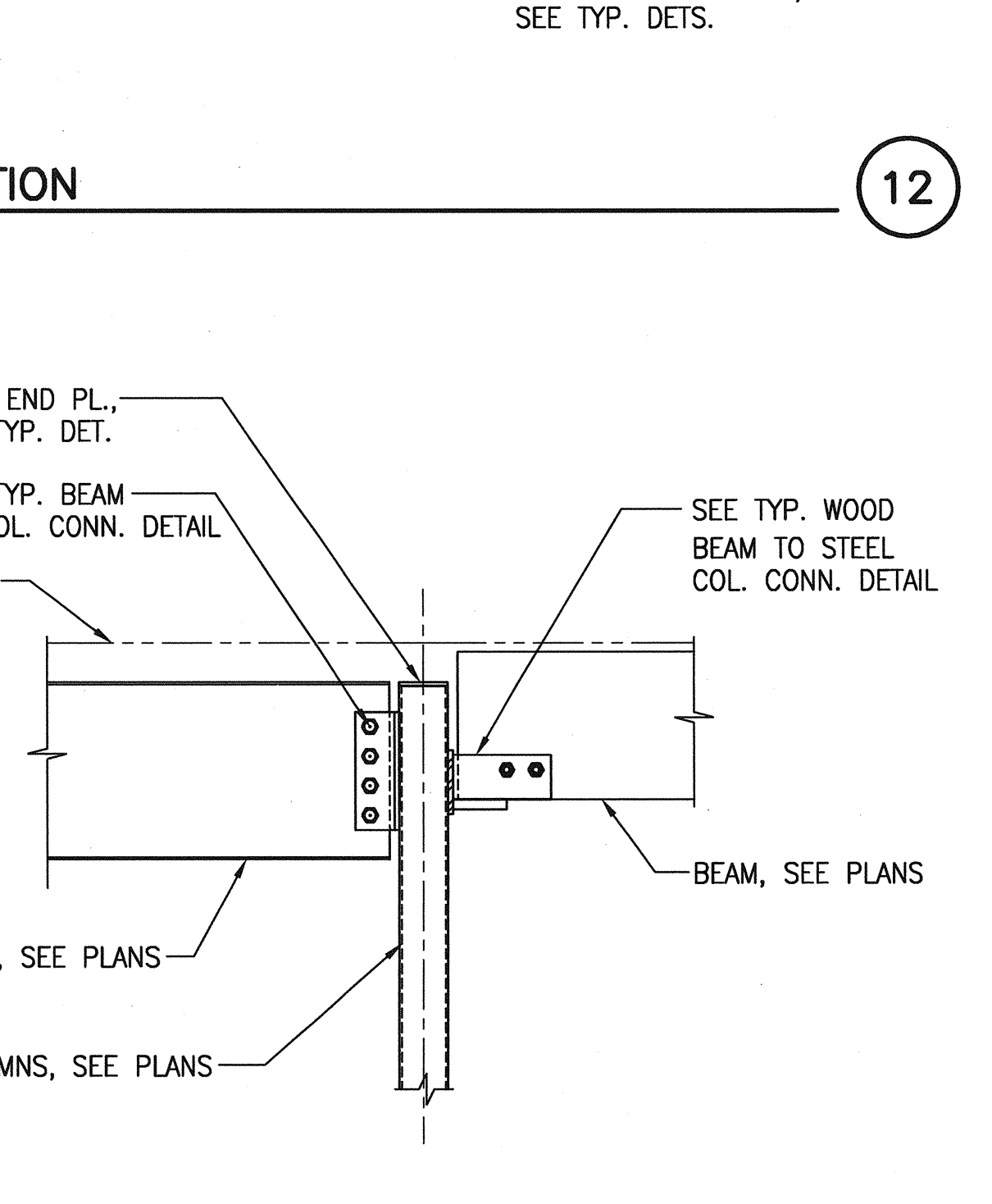
SECTION 14
N.T.S.



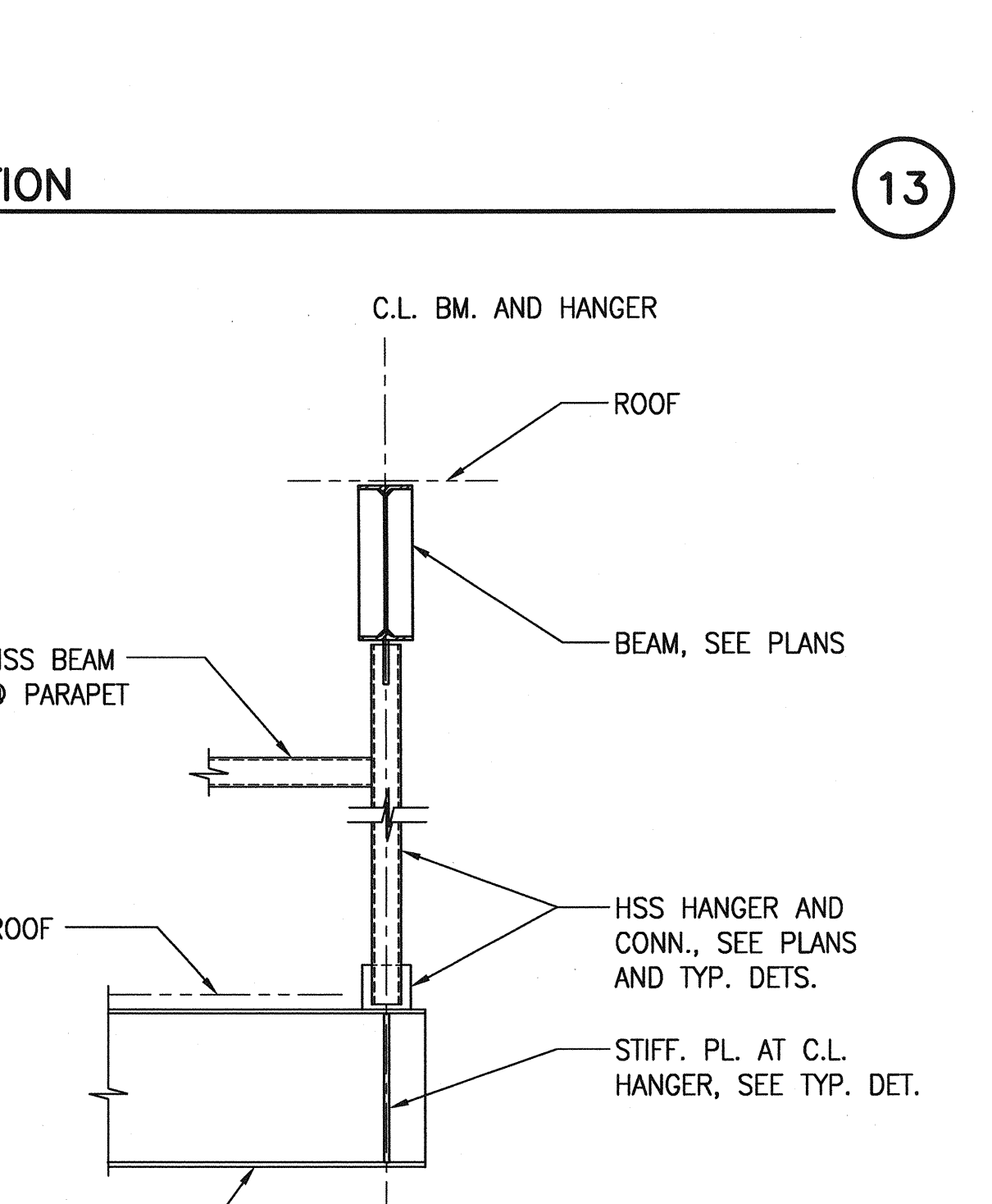
SECTION 15
N.T.S.



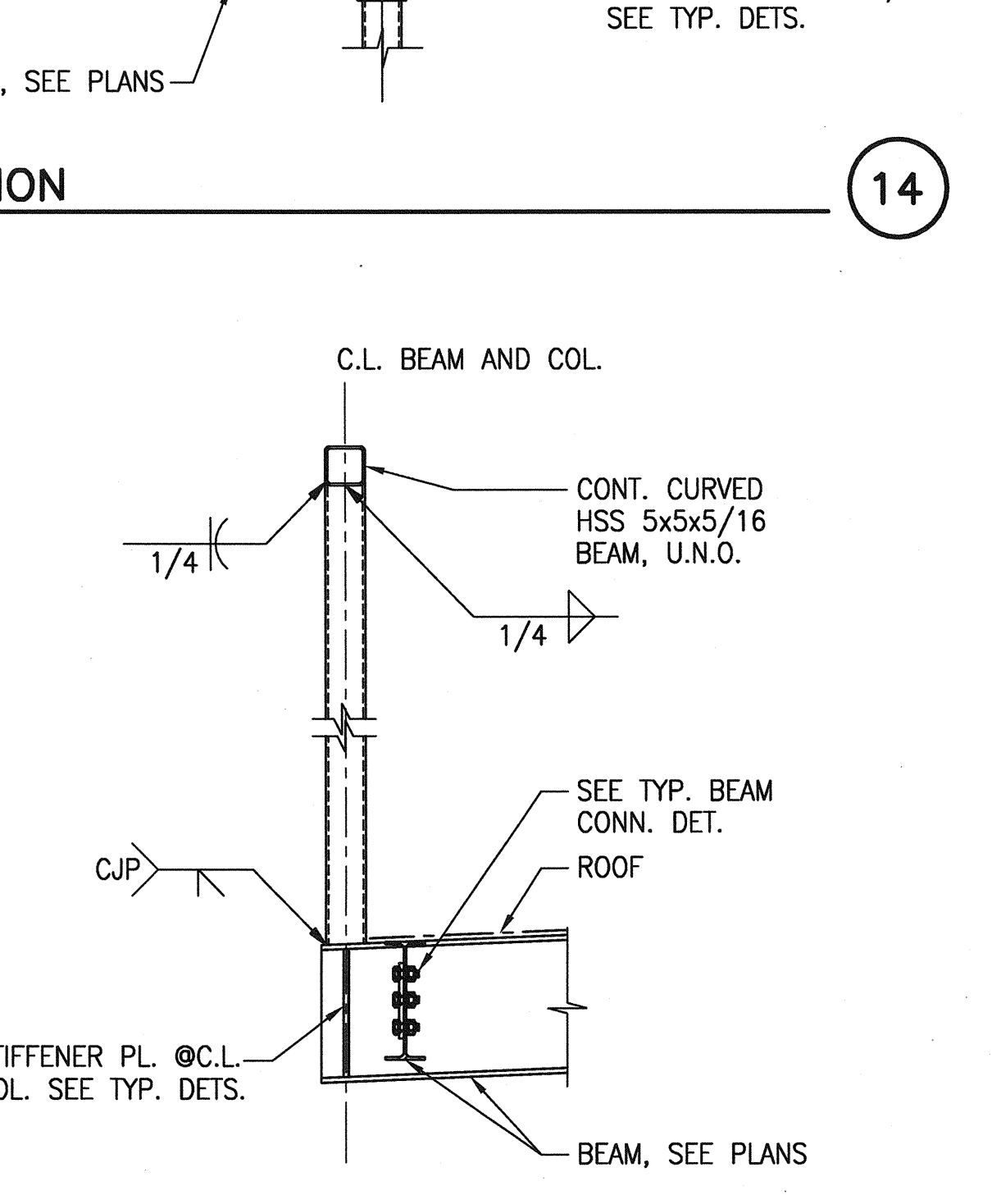
SECTION 16
N.T.S.



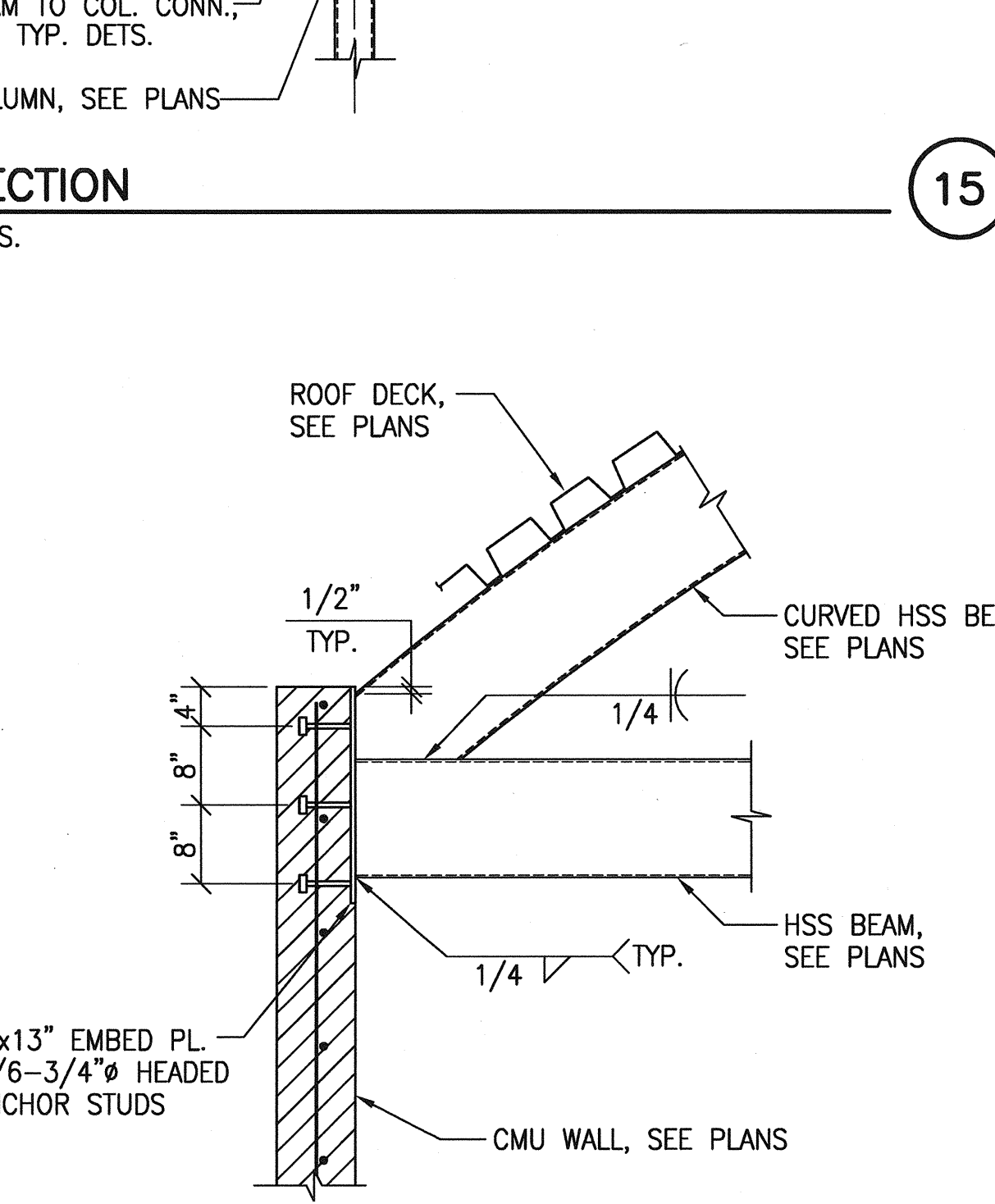
SECTION 17
N.T.S.



SECTION 18
N.T.S.



SECTION 19
N.T.S.



SECTION 20
N.T.S.

PLOT TIME: 10:52 AM
 PLOT DATE: 10/20/12
 PLOT BY: JMM
 PLOT SCALE: 1/8"=1'-0"
 PLOT SHEET: S701
 PLOT SHEET COUNT: 20
 PLOT SHEET TOTAL: 20
 PLOT SHEET NUMBER: 1
 PLOT SHEET TOTAL NUMBER: 20
 PLOT SHEET NAME: S701