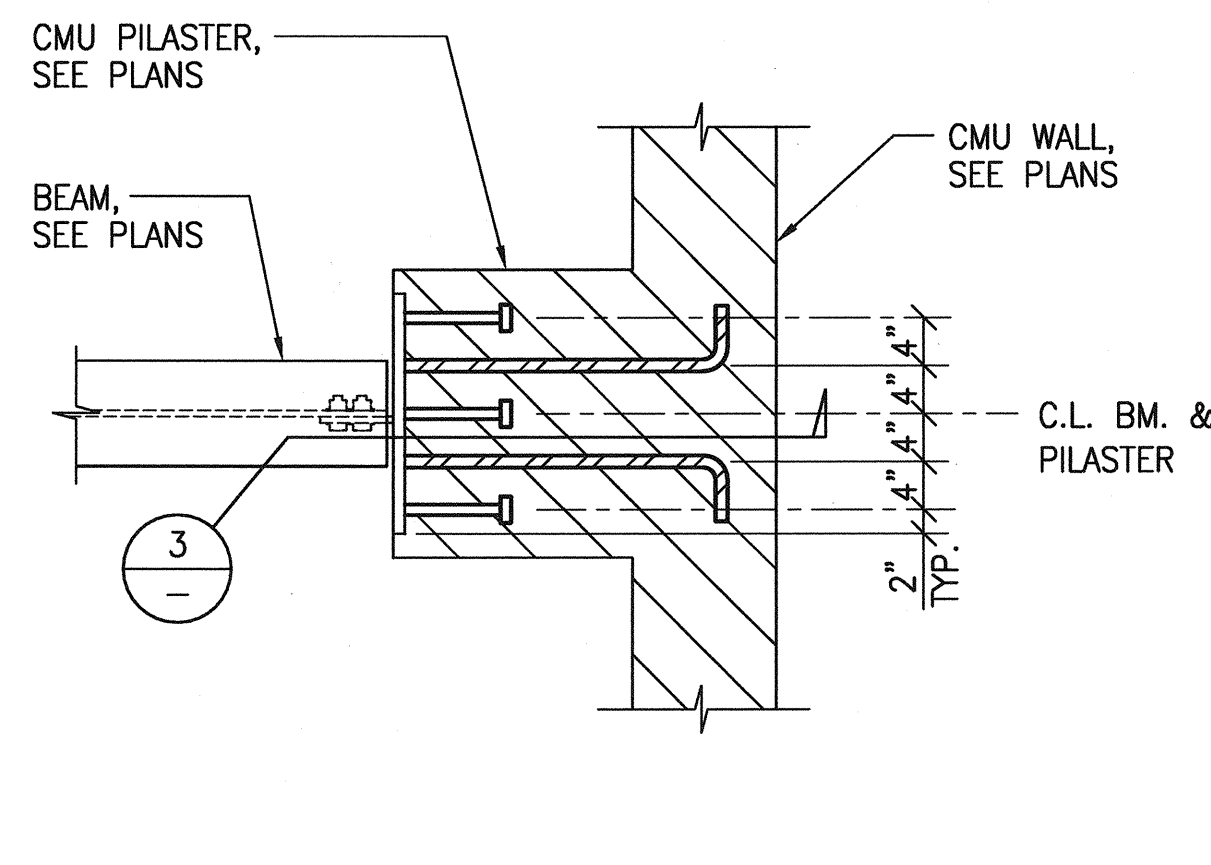


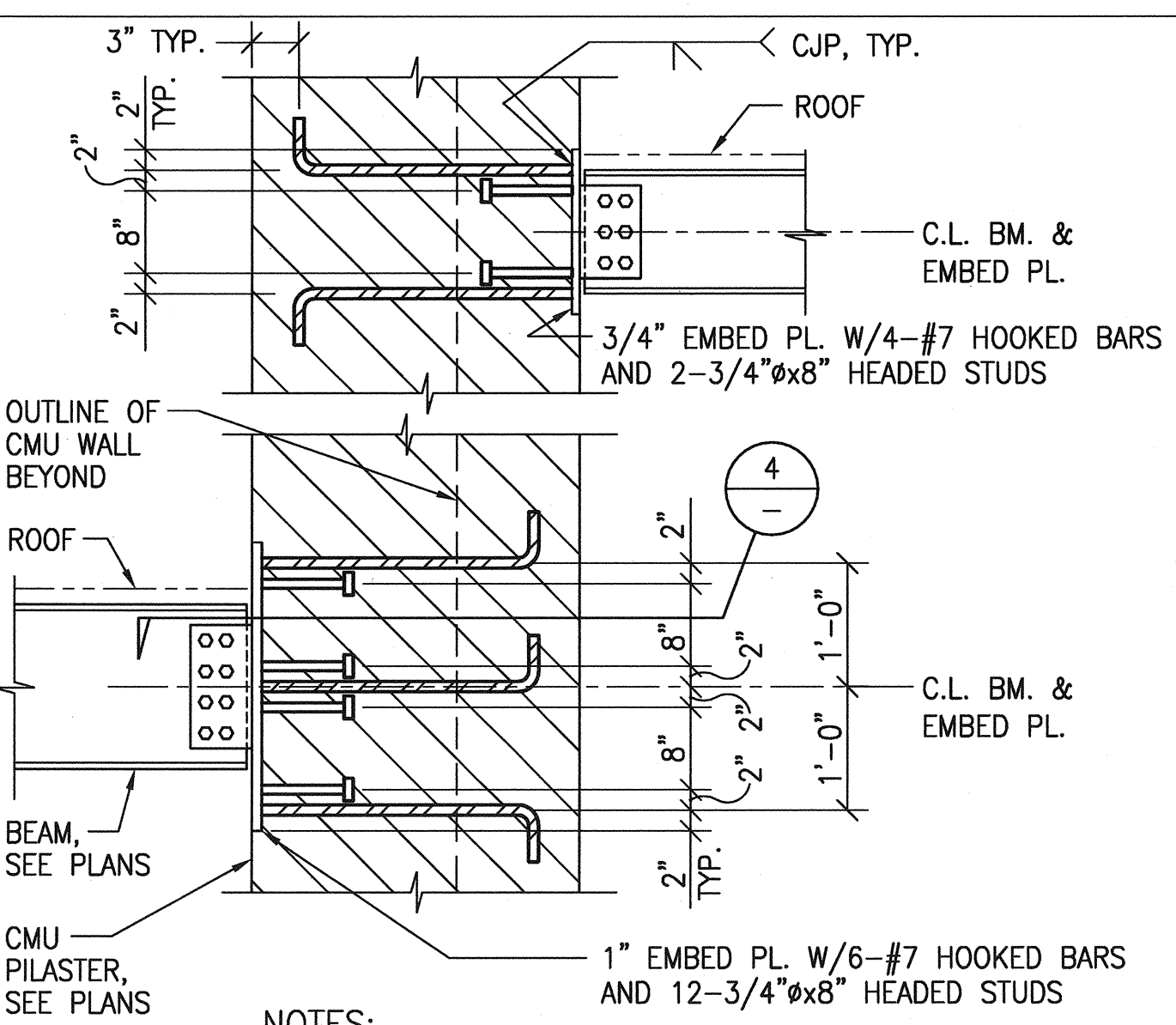
NOTES:
1. CMU WALL AND BOND BEAM REINFORCING NOT SHOWN

SECTION 5
N.T.S.



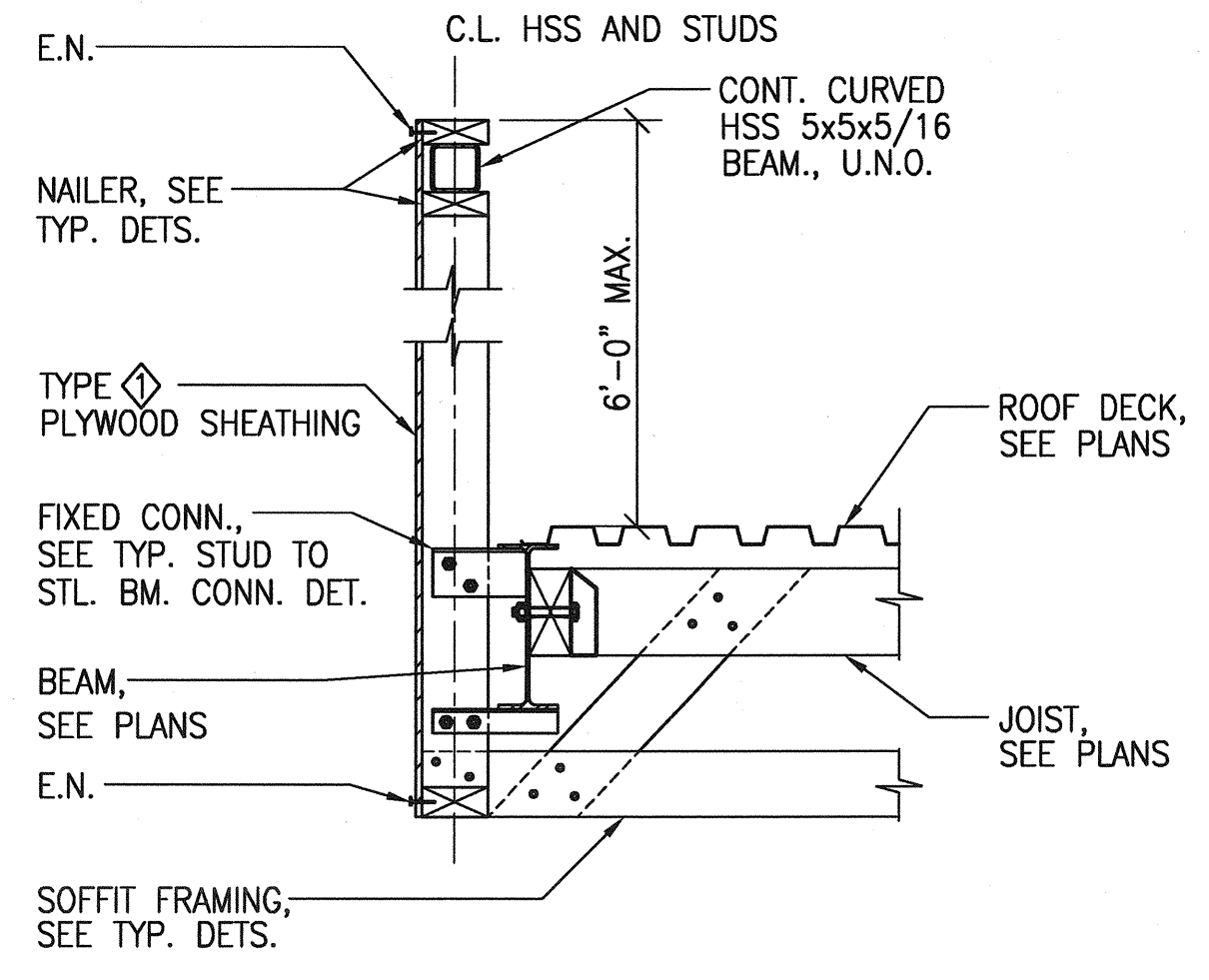
NOTES:
1. CMU WALL AND PILASTER REINFORCING NOT SHOWN

SECTION 4
N.T.S.

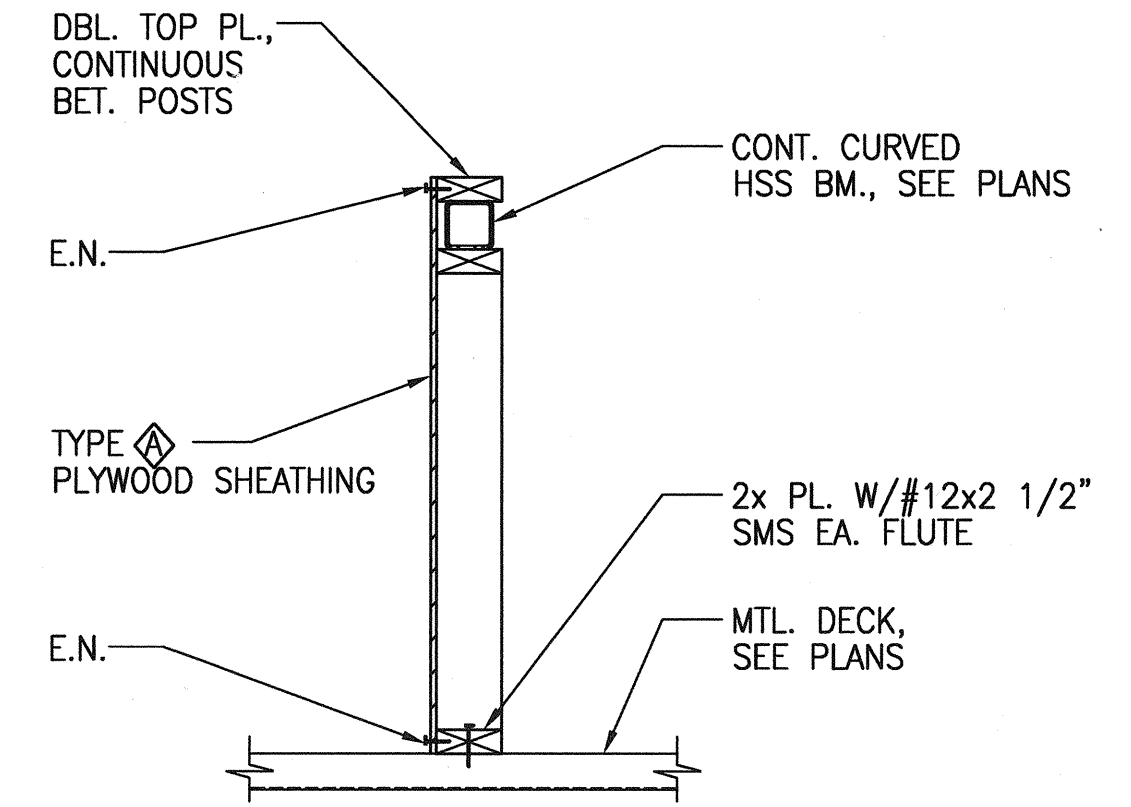


NOTES:
1. CMU PILASTER REINFORCING NOT SHOWN

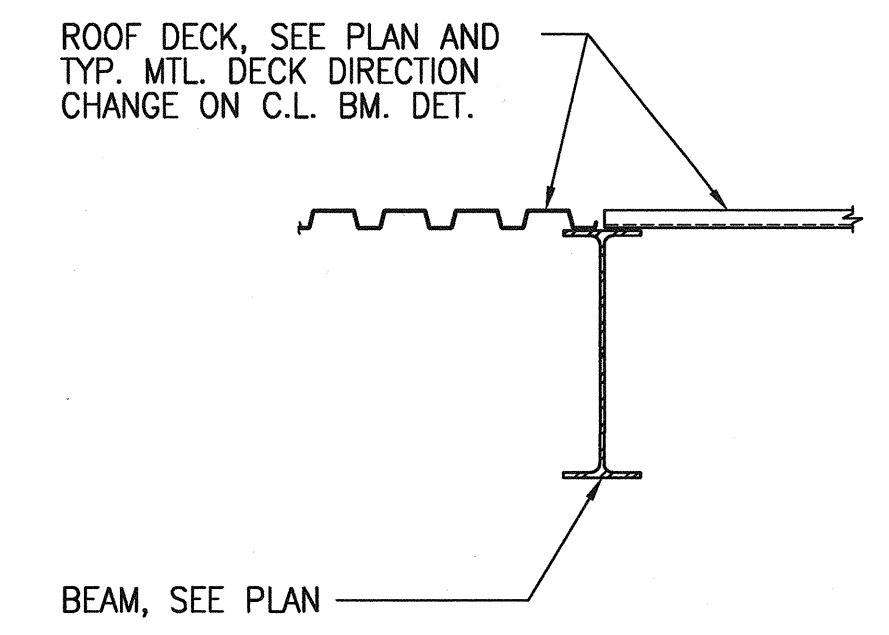
SECTION 3
N.T.S.



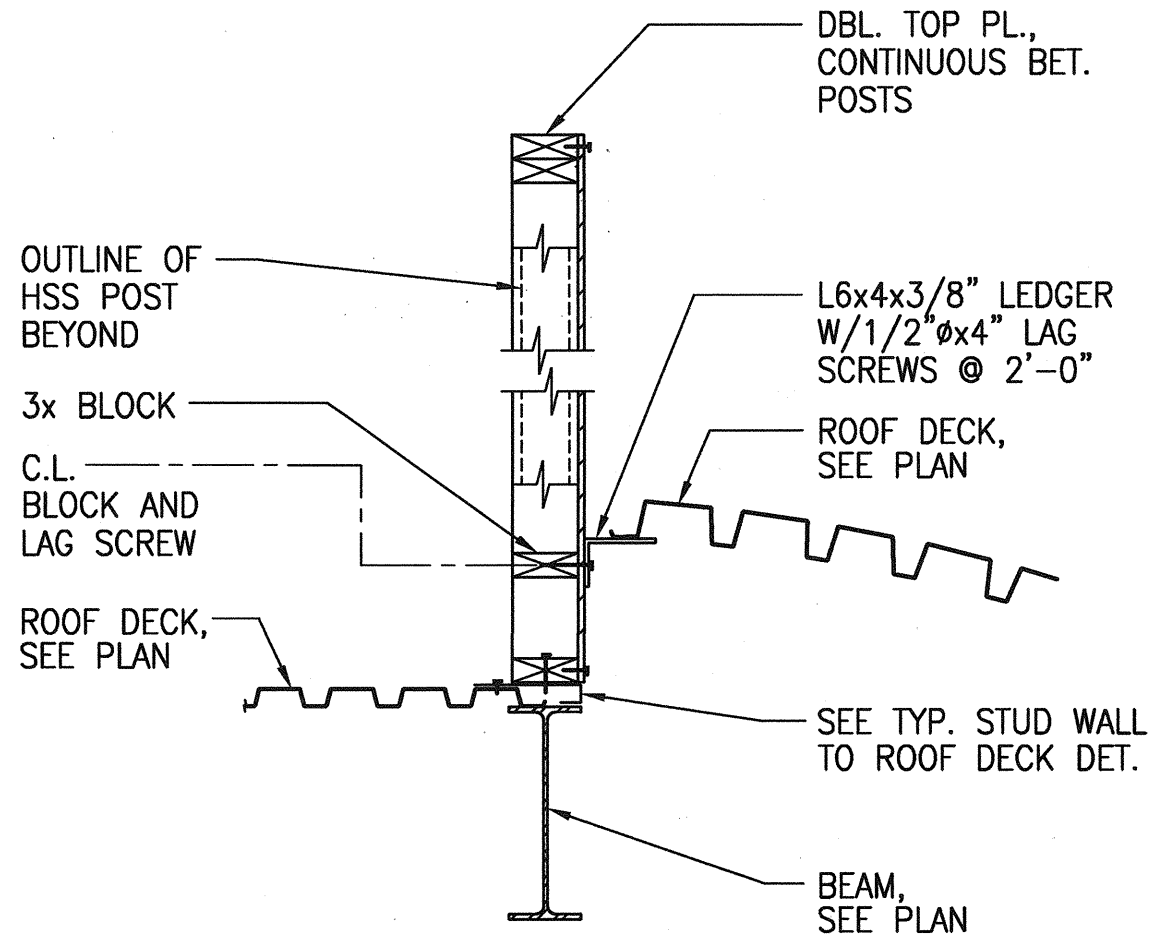
SECTION 2
N.T.S.



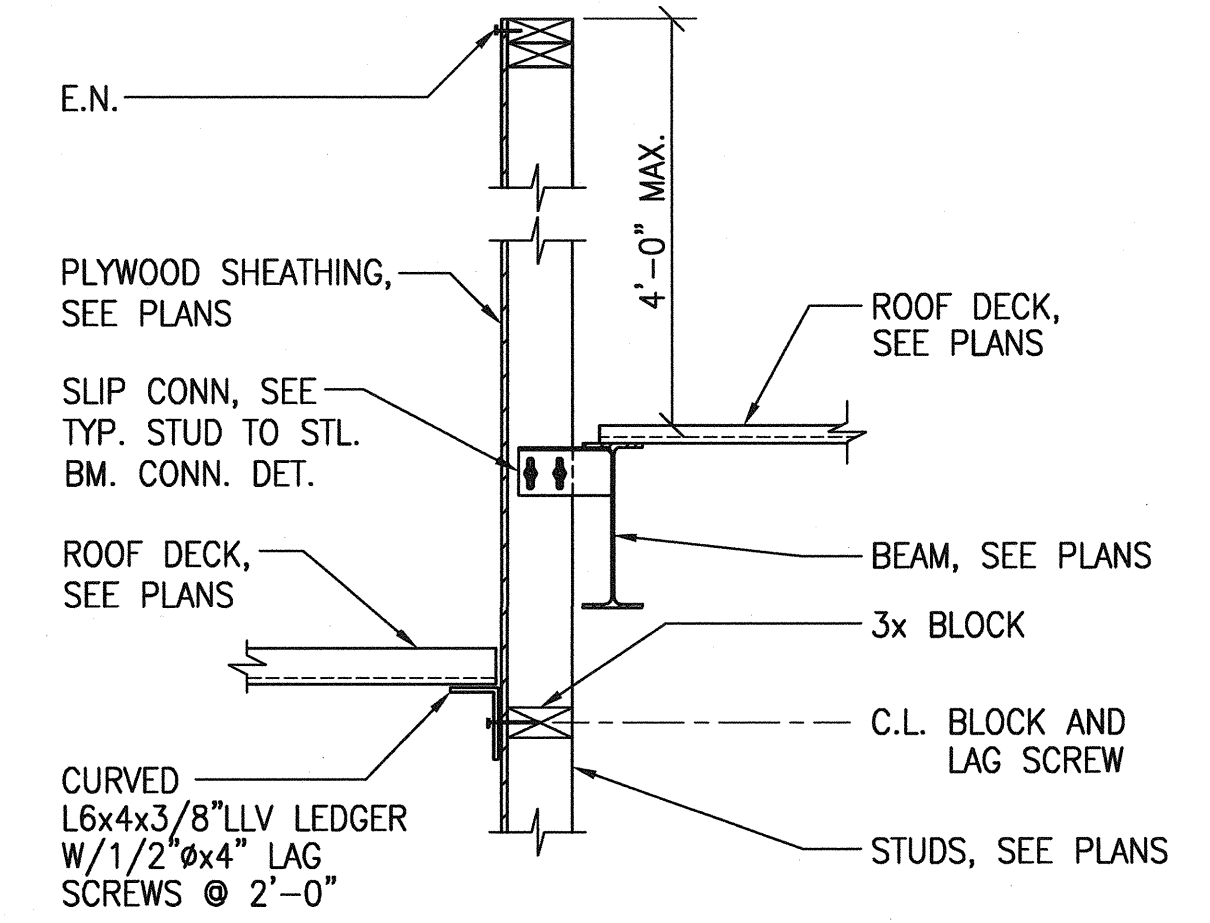
SECTION 1
N.T.S.



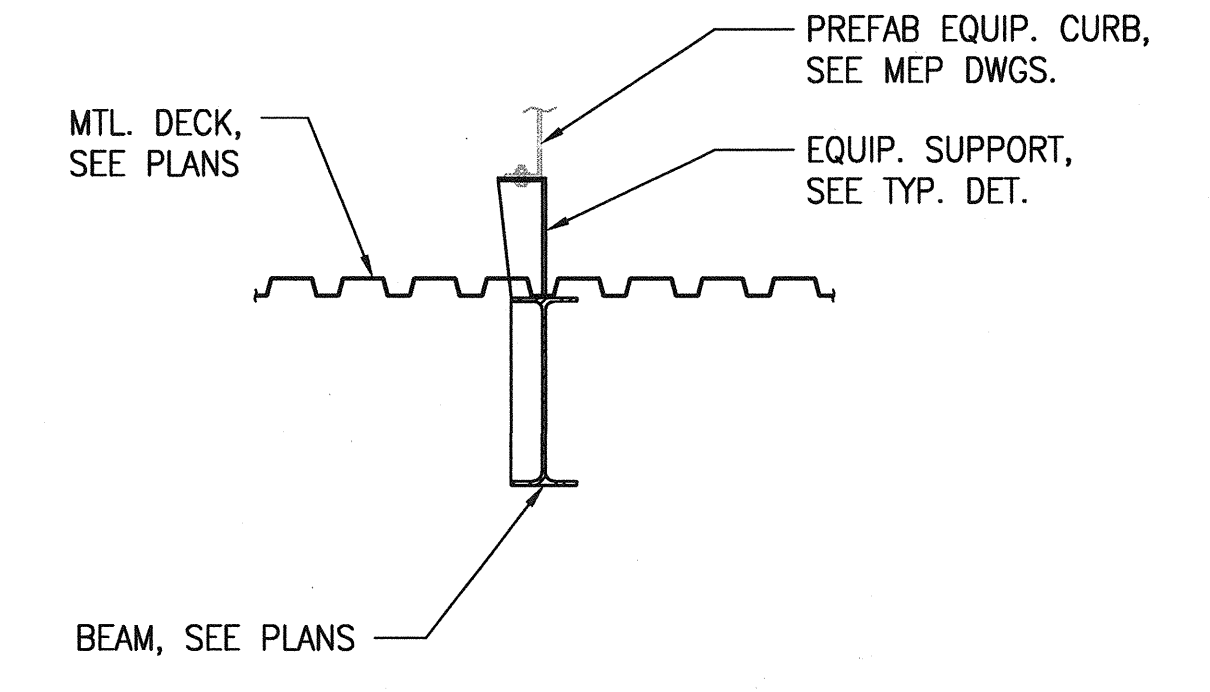
SECTION 10
N.T.S.



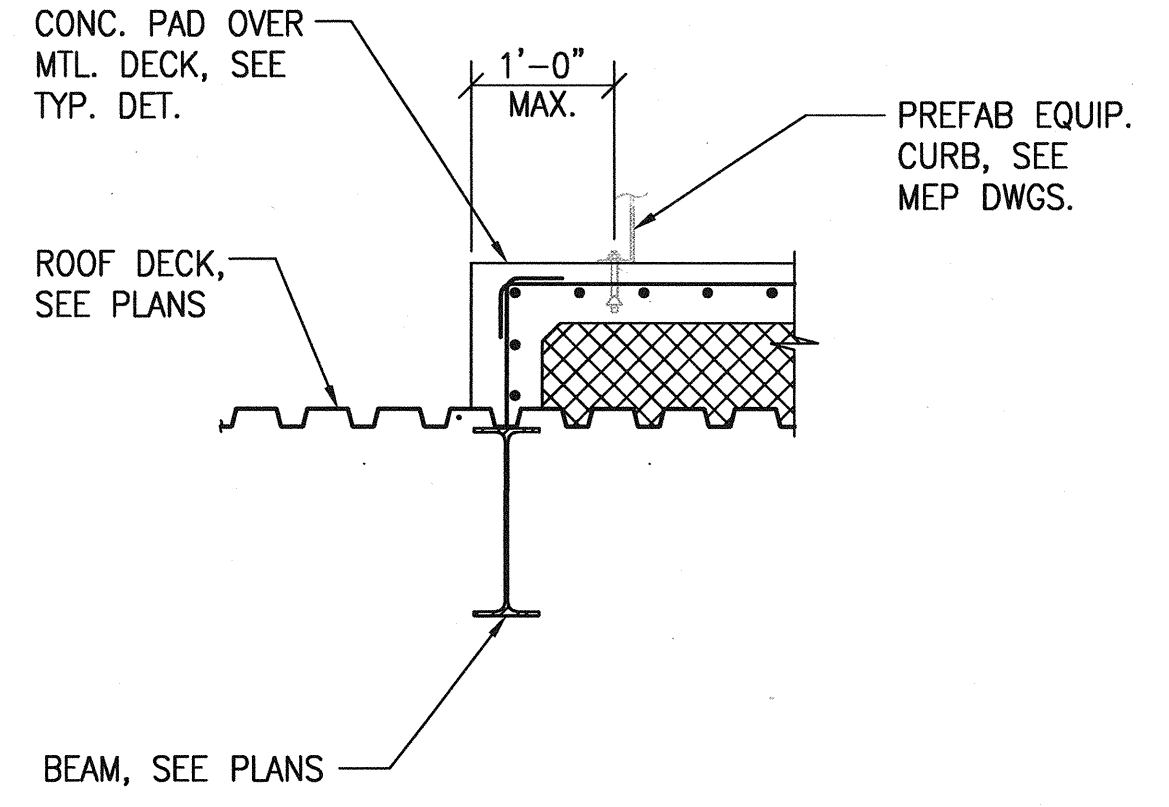
SECTION 9
N.T.S.



SECTION 8
N.T.S.



SECTION 7
N.T.S.



SECTION 6
N.T.S.

ORDIZ MELBY
ARCHITECTS, INC.
5500 MING AVENUE SUITE 280
BAKERSFIELD, CALIFORNIA 93309
TELEPHONE (661) 832-5258
FACSIMILE (661) 832-4291

REGISTERED ARCHITECT
No. C-14728
MAY 31, 2013
DANNY E. ORDIZ, AIA
ARCHITECT C-14,728
WILLIAM J. MELBY, AIA
ARCHITECT C-16,835

IDENTIFICATION STAMP
DIVISION OF STATE ARCHITECT
OFFICE OF REGULATION SERVICES
APPL. #: 02-112027
FILE #: 15-6
AC: FLS: SS: CR
DATE: JAN 20 2012
PTN # 63321-112

MARTIN & ASSOCIATES
JOHN A. MARTIN & ASSOCIATES
Structural Engineers
2922 The Old Road, Ste. 316
Siemens Ranch, Ca. 91381
Phone (661) 260-2646
Fax (661) 260-2649
JAMA JOB #13145

REGISTERED PROFESSIONAL ENGINEER
No. 4483
COR. 12/21/11
STATE OF CALIFORNIA

NEW ELEMENTARY SCHOOL
9801 HIGHLAND KNOLLS DR.
BAKERSFIELD CALIFORNIA 93306

NEW MIDDLE SCHOOL
4115 VINELAND ROAD
BAKERSFIELD CALIFORNIA 93306

FOR:
BAKERSFIELD CITY SCHOOL DISTRICT

1300 BAKER STREET
BAKERSFIELD CALIFORNIA 93305

MARK	DATE	DESCRIPTION
△		
△		
△		
△		

JOB NUMBER:
20101244
CAD DRAWING FILE:
DRAWN BY:
RH
CHECKED BY:
MDC
CHECK AND VERIFY ALL DIMENSIONS BEFORE PROCEEDING WITH THE WORK. REPORT DISCREPANCIES TO THE ARCHITECT.
THE DRAWINGS, IDEAS, AND DESIGNS REPRESENTED ON THIS SHEET ARE THE PROPERTY OF THE ARCHITECT.
COPYRIGHT
ORDIZ-MELBY ARCHITECTS, INC. 2010

SHEET TITLE
SECTIONS & DETAILS

SHEET IDENTIFICATION NUMBER
S603

PLT TIME: 13:28 AM
PLT DATE: 10/20/11
PLOT NAME: C:\WORK\2010\20101244\DWG\SECTION\SECTION.DWG
PLOT SCALE: 1/8\"/>