



*William J. Melby*  
DANNY E. ORDIZ, AIA  
ARCHITECT C-14,728  
WILLIAM J. MELBY, AIA  
ARCHITECT C-16,835

IDENTIFICATION STAMP  
DIVISION OF STATE ARCHITECT  
OFFICE OF REGULATION SERVICES  
APPL. #: 02-112027  
FILE #: 15-6  
AC: FLS SS C.R.  
DATE: JAN 2 U 2012  
PTN # 63321-112

**MARTIN & ASSOCIATES**  
JOHN A. MARTIN & ASSOCIATES  
Structural Engineers  
2579 The Old Road, Ste. 316  
Simons Ranch, Ca 91301  
Phone (661) 260-2646  
Fax (661) 260-2648  
JAMA JOB #13145



**NEW ELEMENTARY SCHOOL**  
9801 HIGHLAND KNOLLS DR.  
BAKERSFIELD CALIFORNIA 93306

**NEW MIDDLE SCHOOL**  
4115 VINELAND ROAD  
BAKERSFIELD CALIFORNIA 93306

**FOR: BAKERSFIELD CITY SCHOOL DISTRICT**

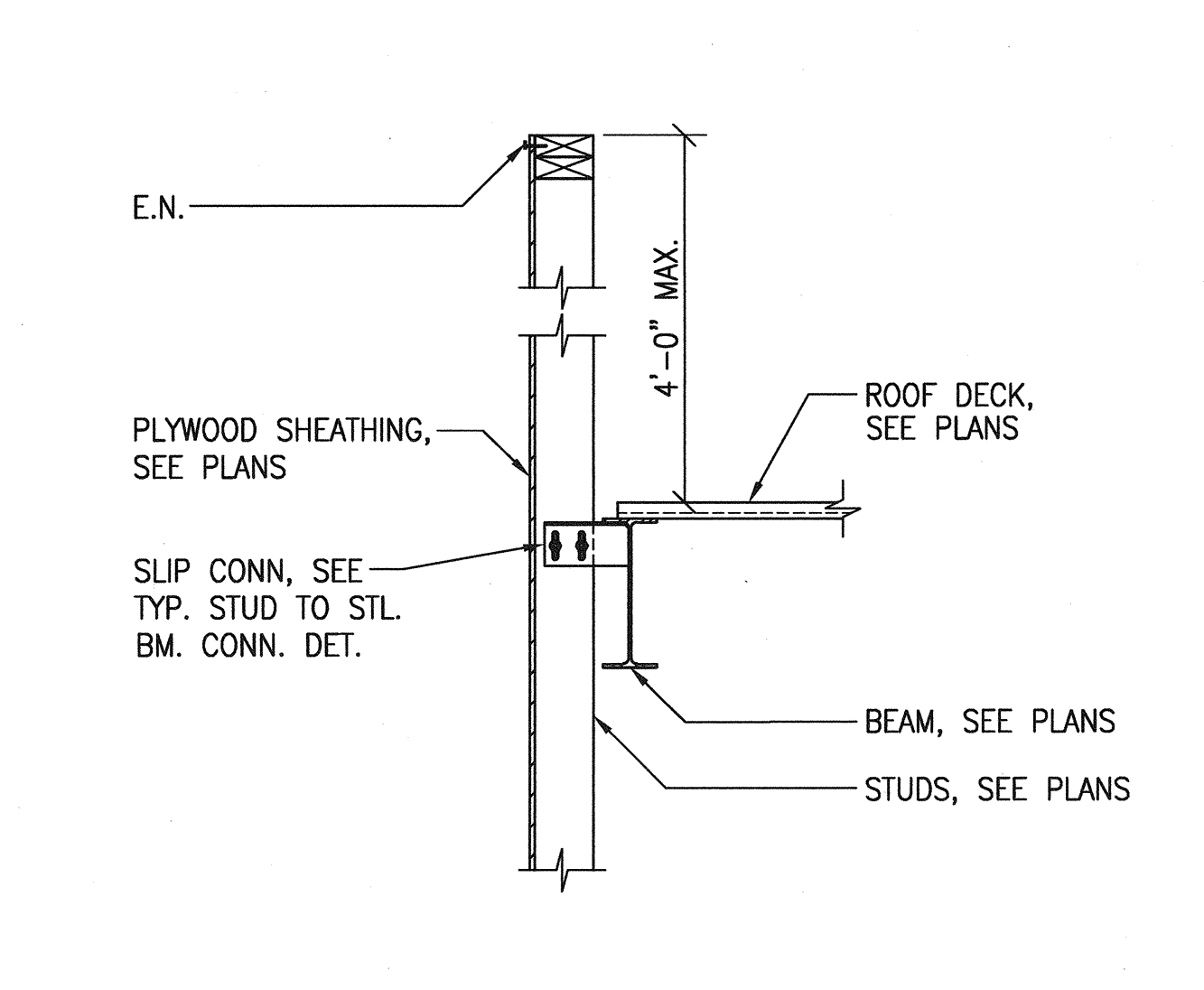
1300 BAKER STREET  
BAKERSFIELD CALIFORNIA 93305

MARK	DATE	DESCRIPTION
△		
△		
△		
△		

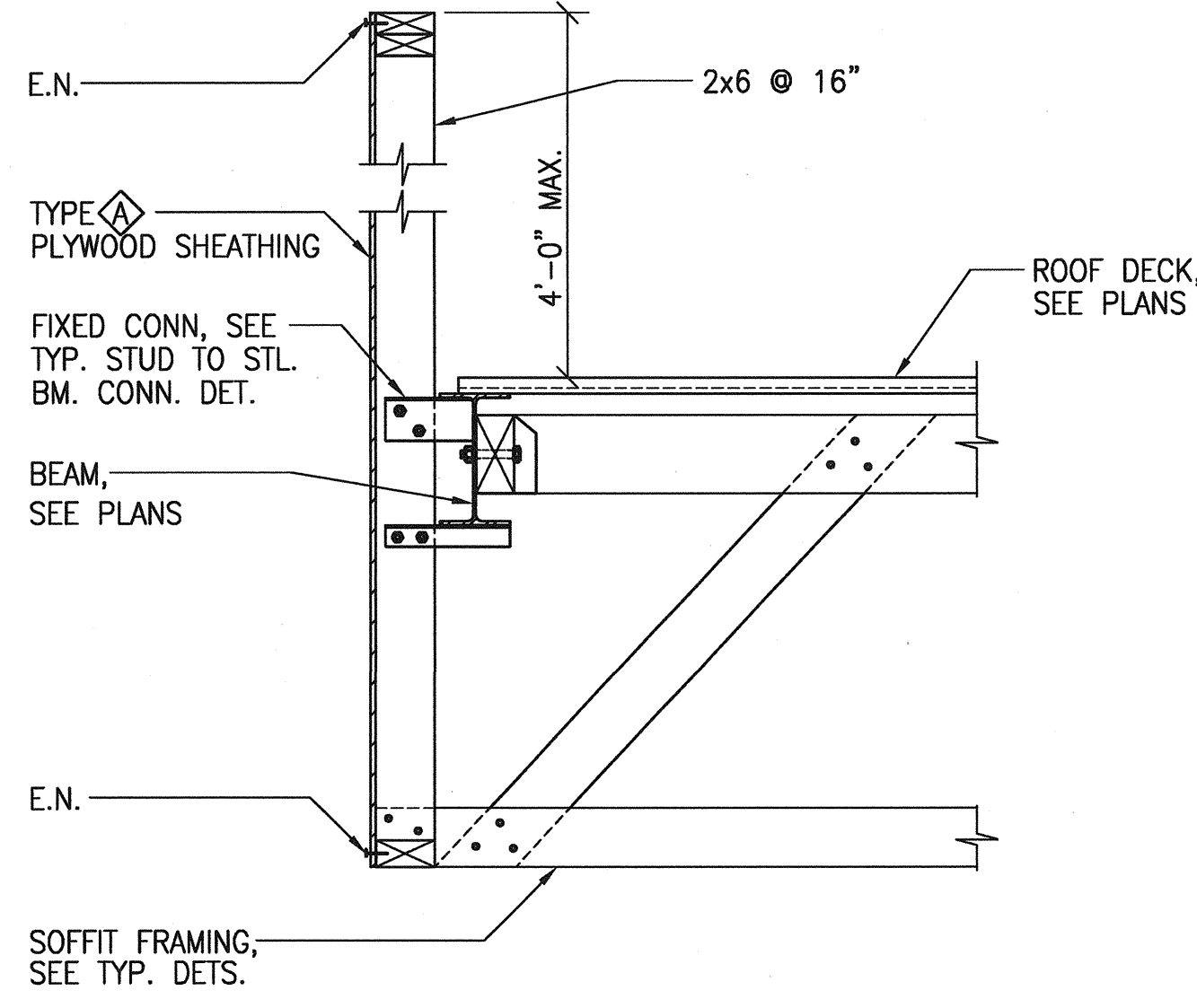
JOB NUMBER: 20101244  
CAD DRAWING FILE:  
DRAWN BY: MDC  
CHECKED BY:  
CHECK AND VERIFY ALL DIMENSIONS BEFORE PROCEEDING WITH THE WORK. REPORT DISCREPANCIES TO THE ARCHITECT.  
THE DRAWINGS, IDEAS, AND DESIGNS REPRESENTED ON THIS SHEET ARE THE PROPERTY OF THE ARCHITECT.  
COPYRIGHT ORDIZ-MELBY ARCHITECTS, INC. 2010  
SHEET TITLE

SECTIONS & DETAILS

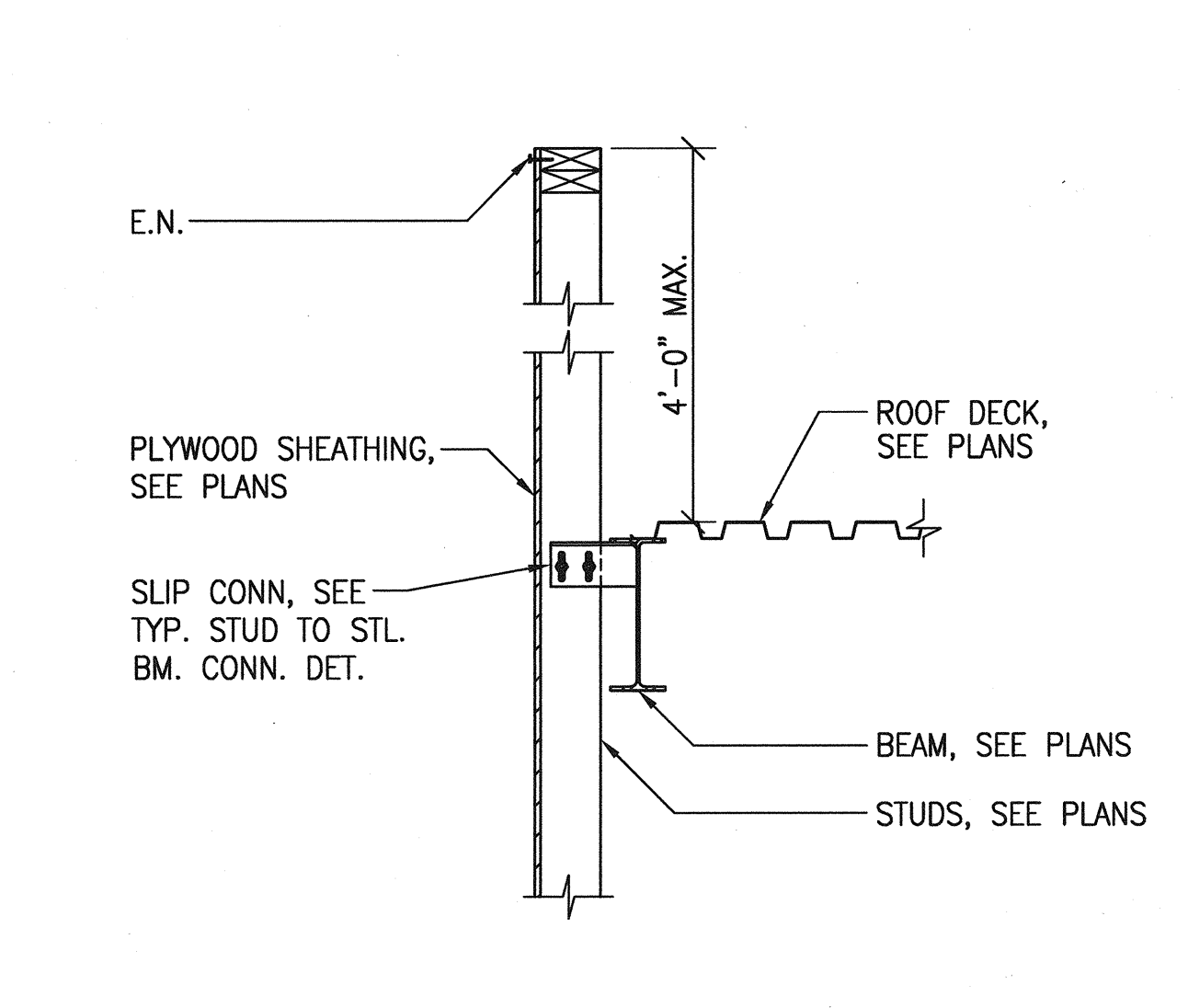
SHEET IDENTIFICATION NUMBER  
**S602**



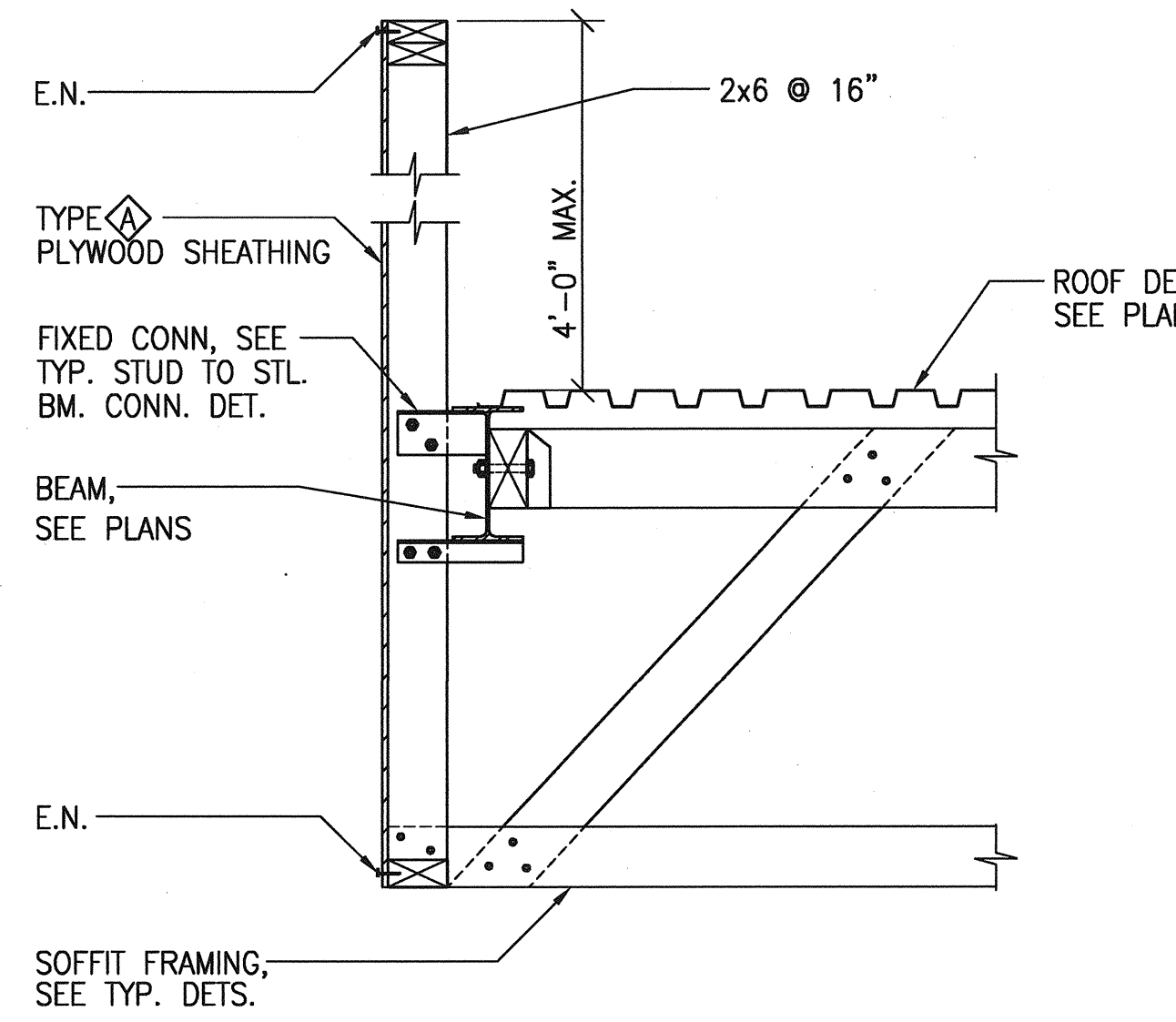
SECTION 1  
N.T.S.



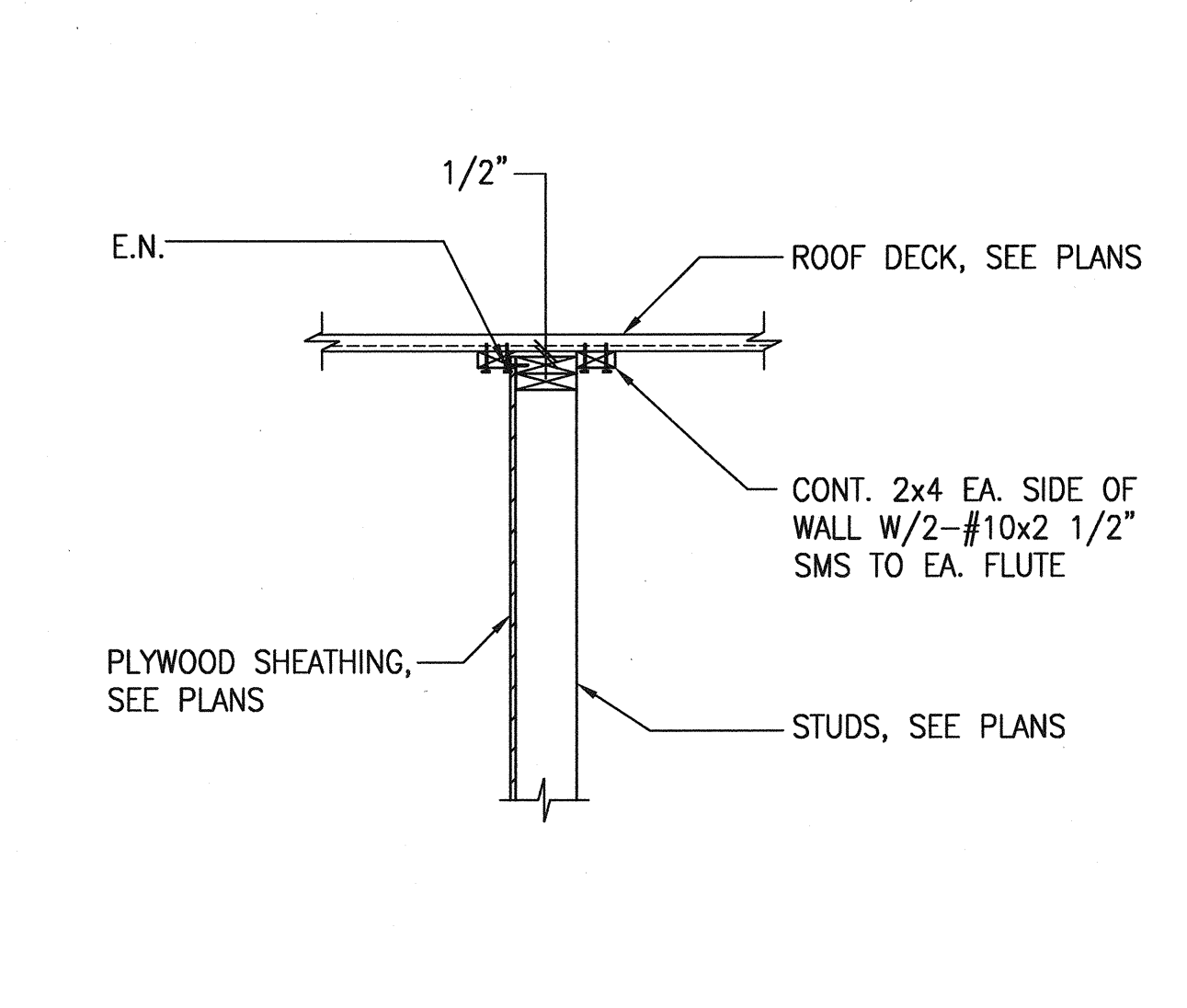
SECTION 2  
N.T.S.



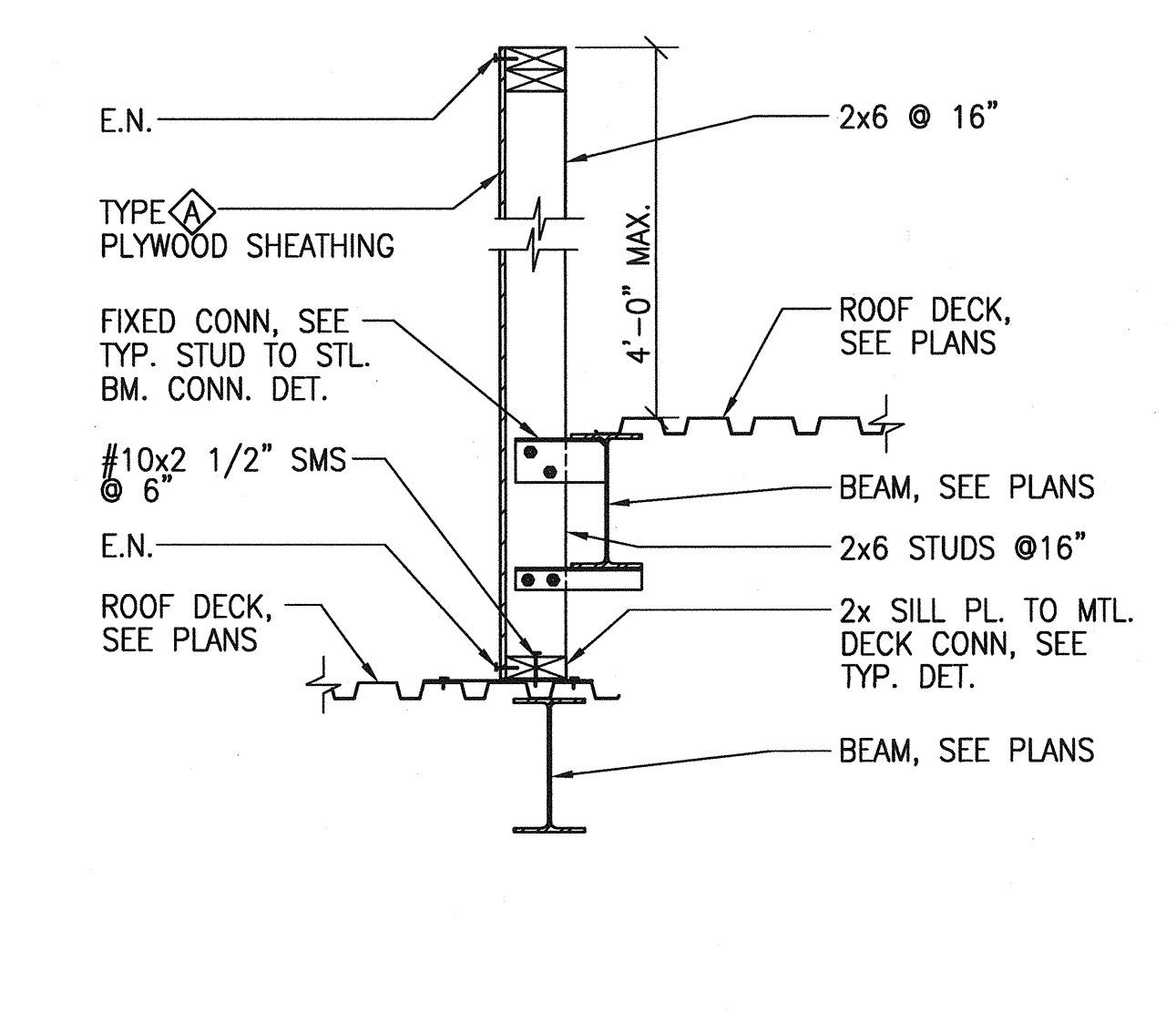
SECTION 3  
N.T.S.



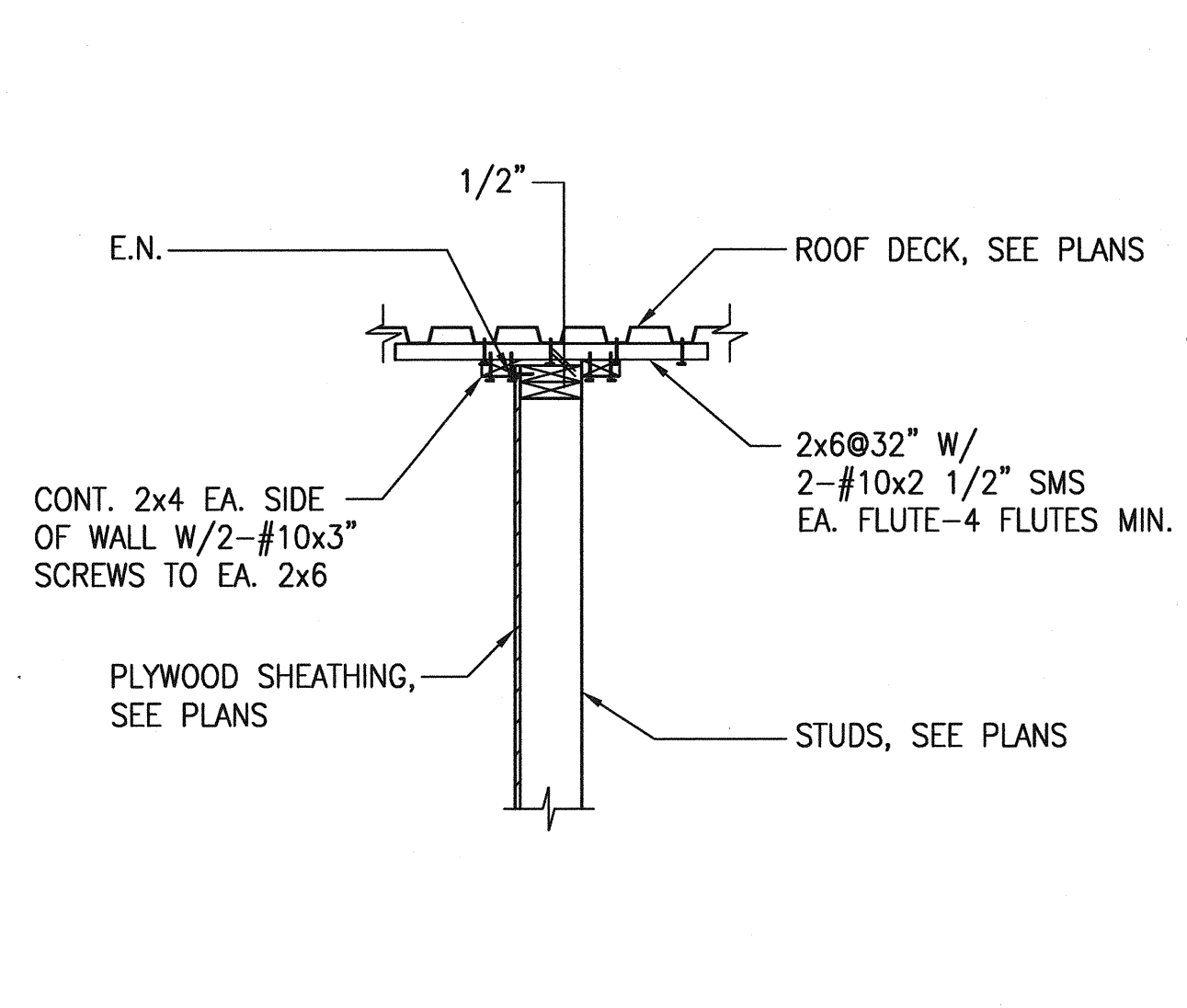
SECTION 4  
N.T.S.



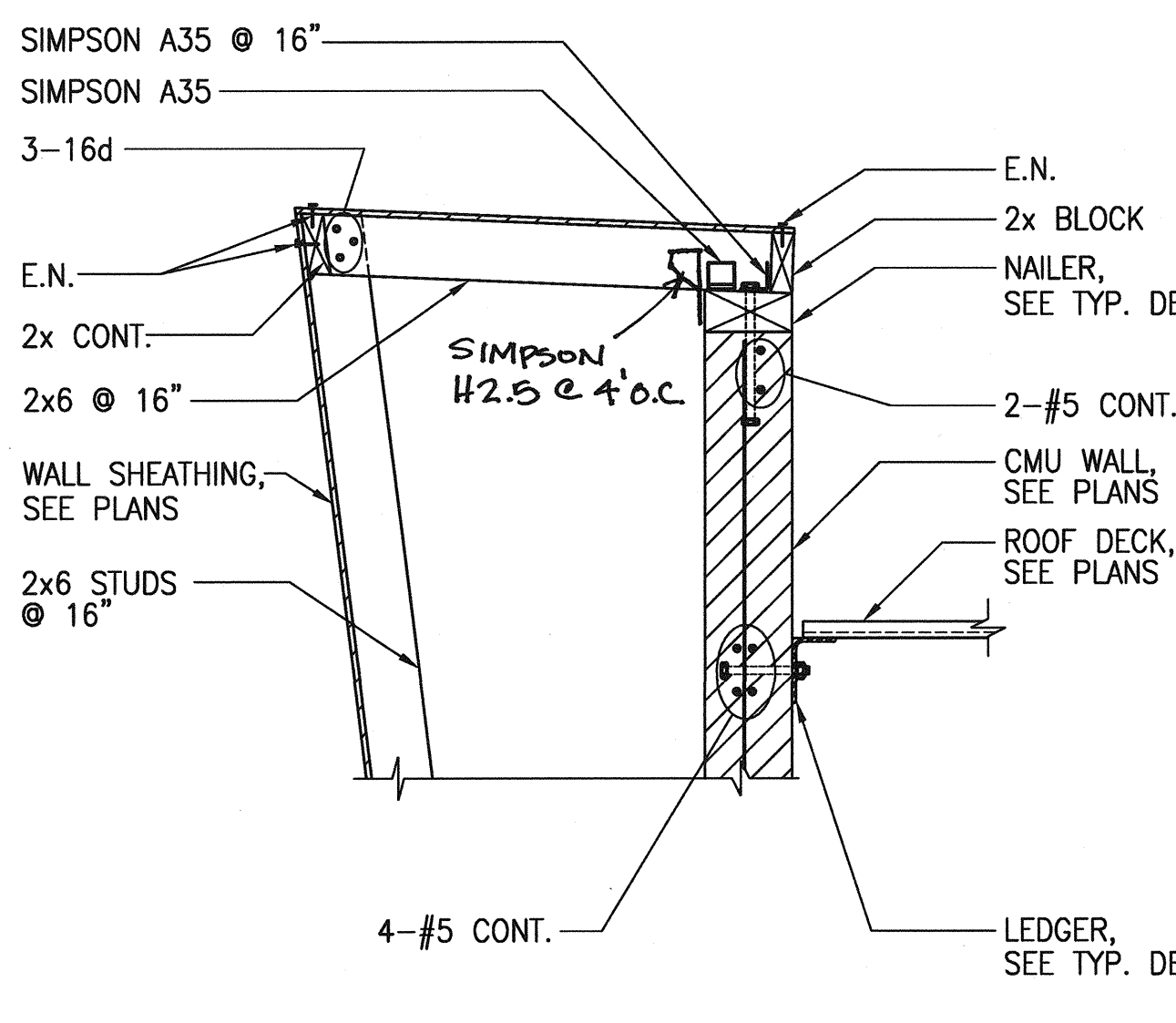
SECTION 5  
N.T.S.



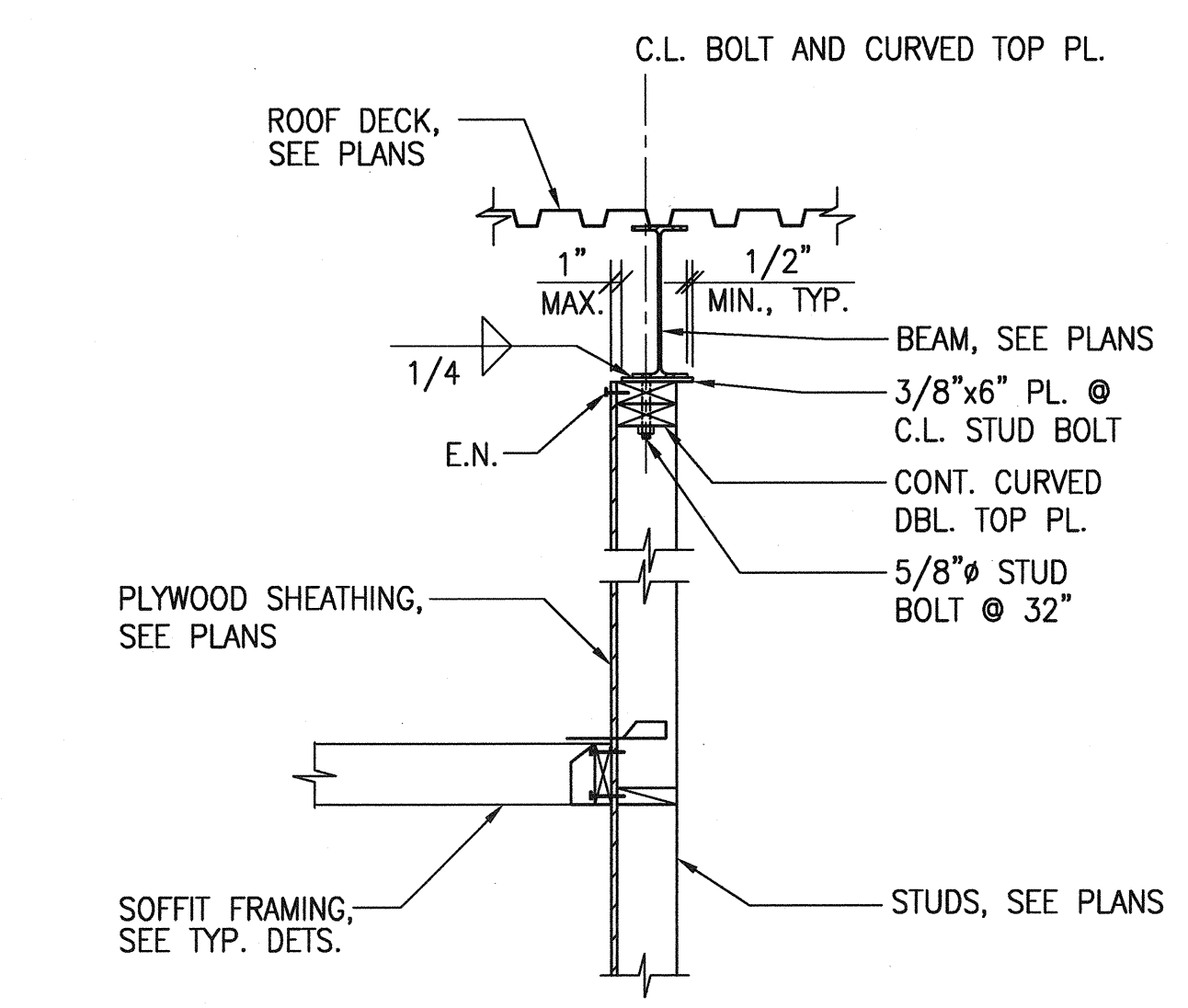
SECTION 6  
N.T.S.



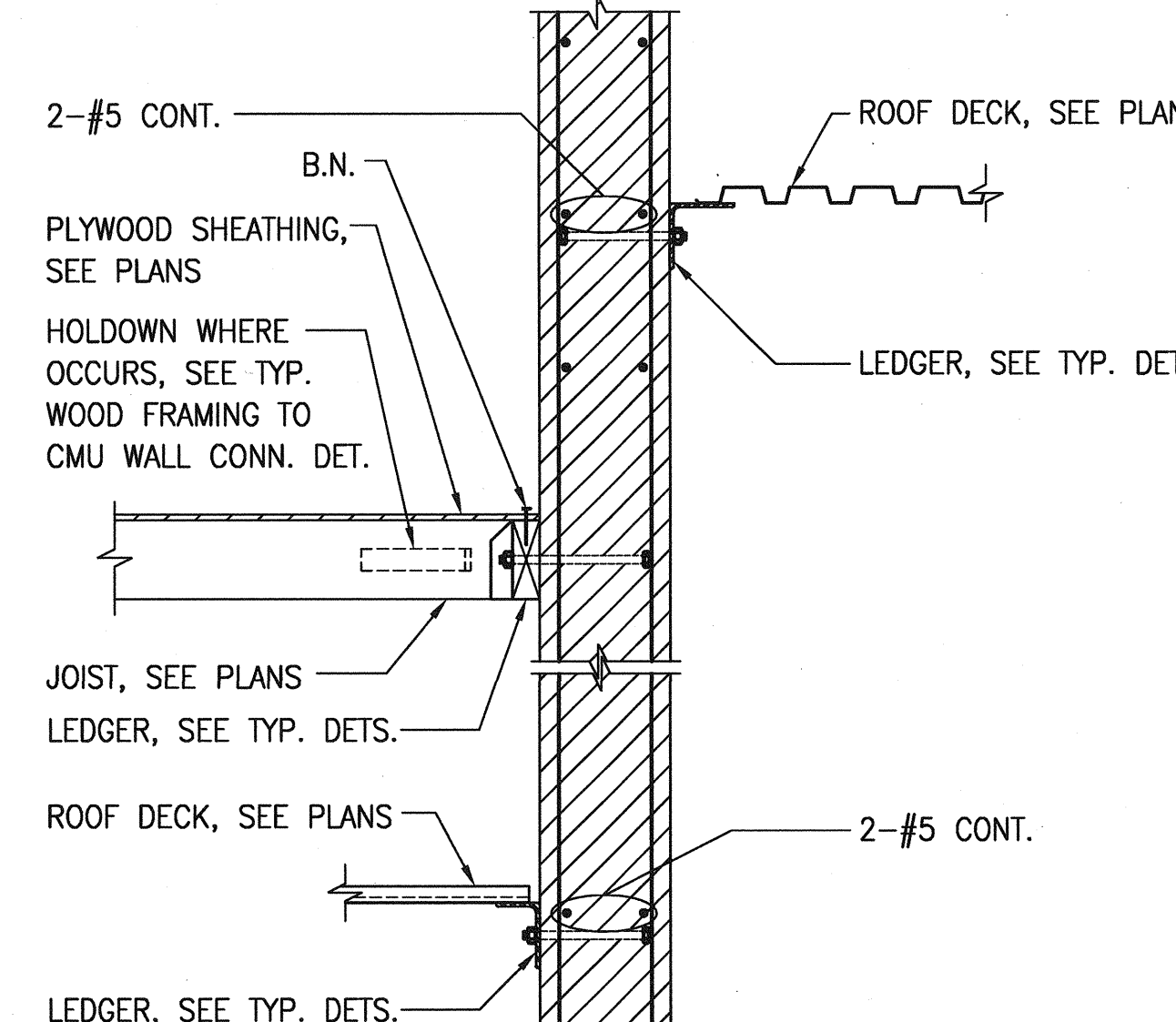
SECTION 7  
N.T.S.



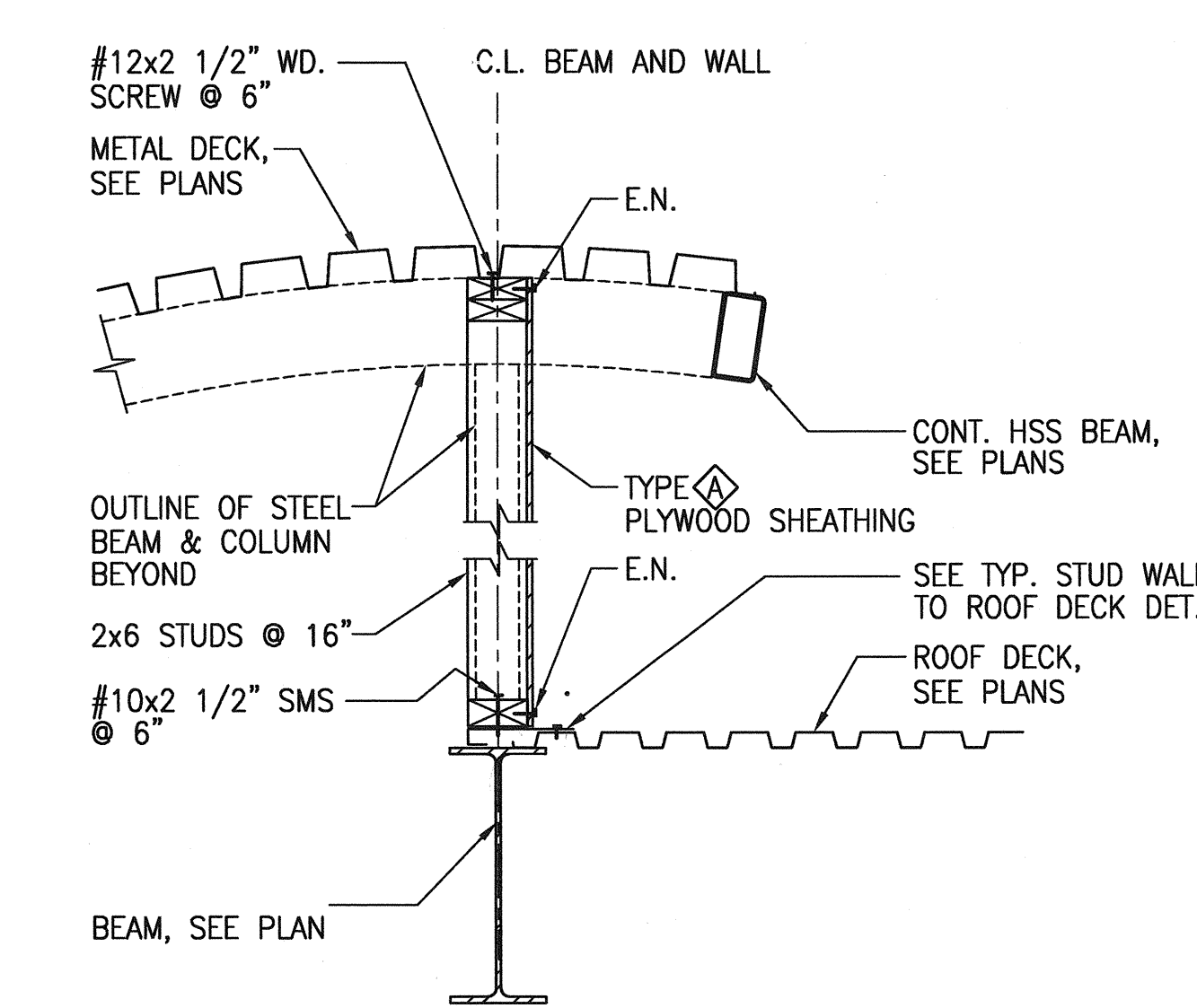
SECTION 8  
N.T.S.



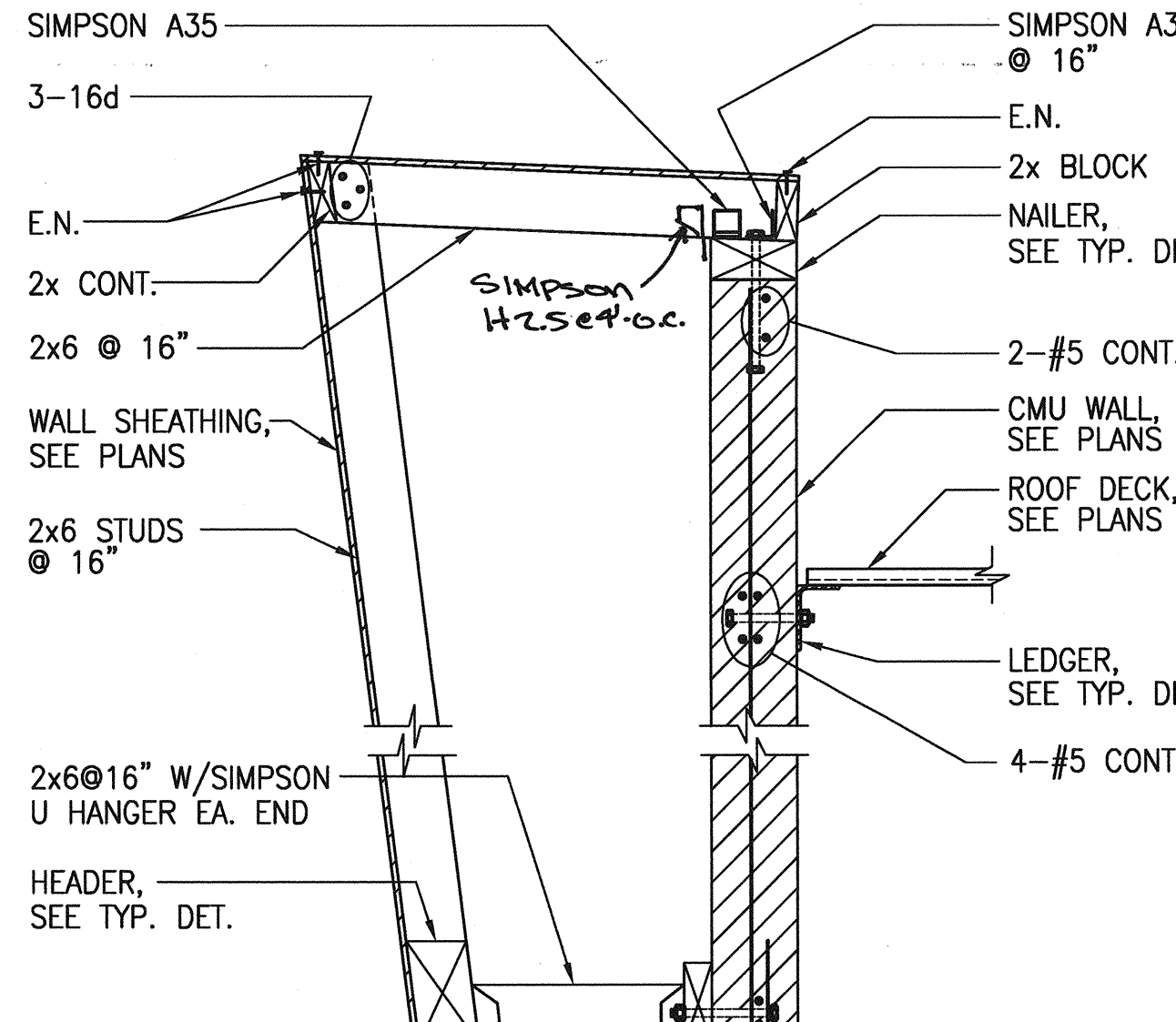
SECTION 9  
N.T.S.



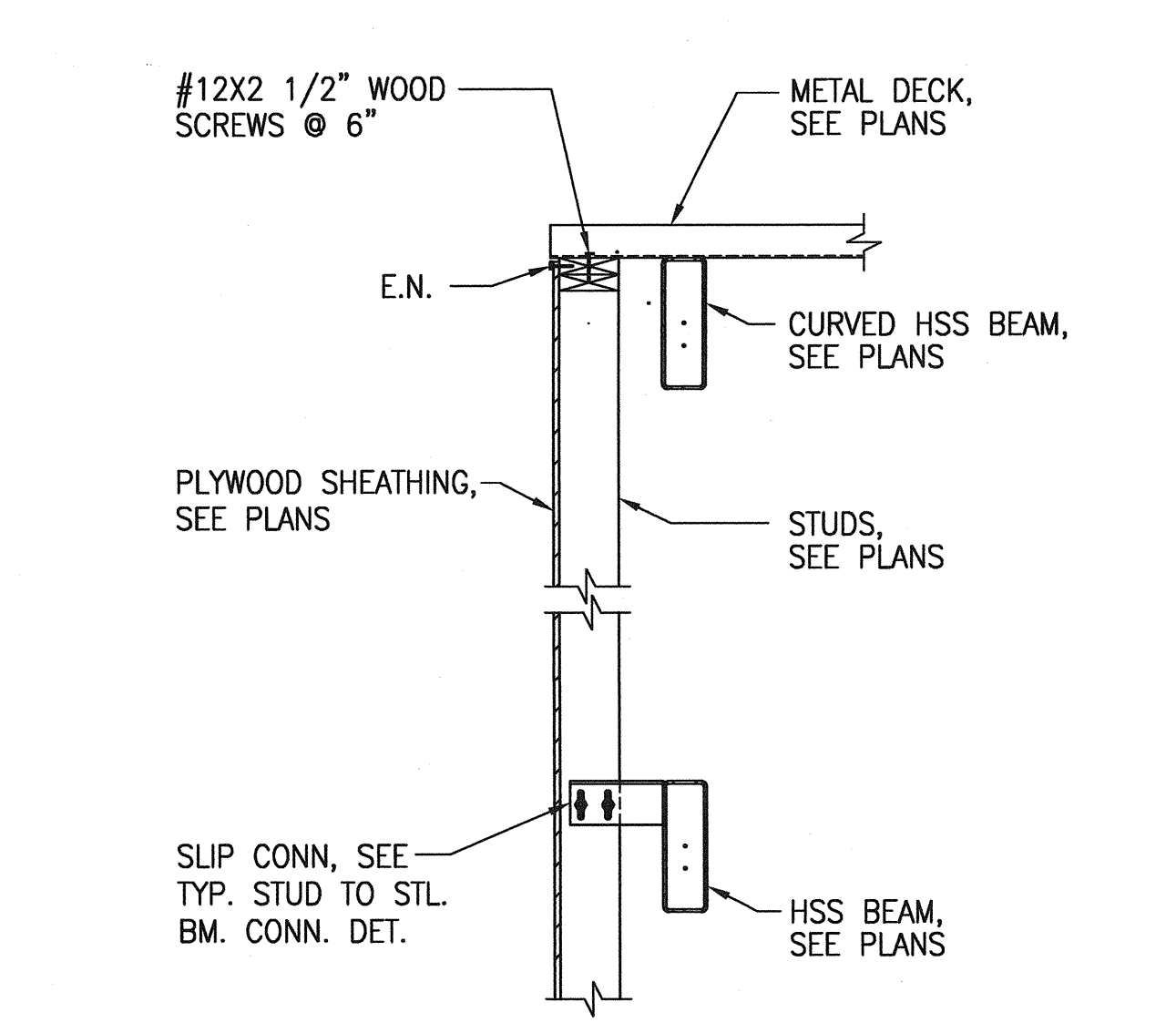
SECTION 10  
N.T.S.



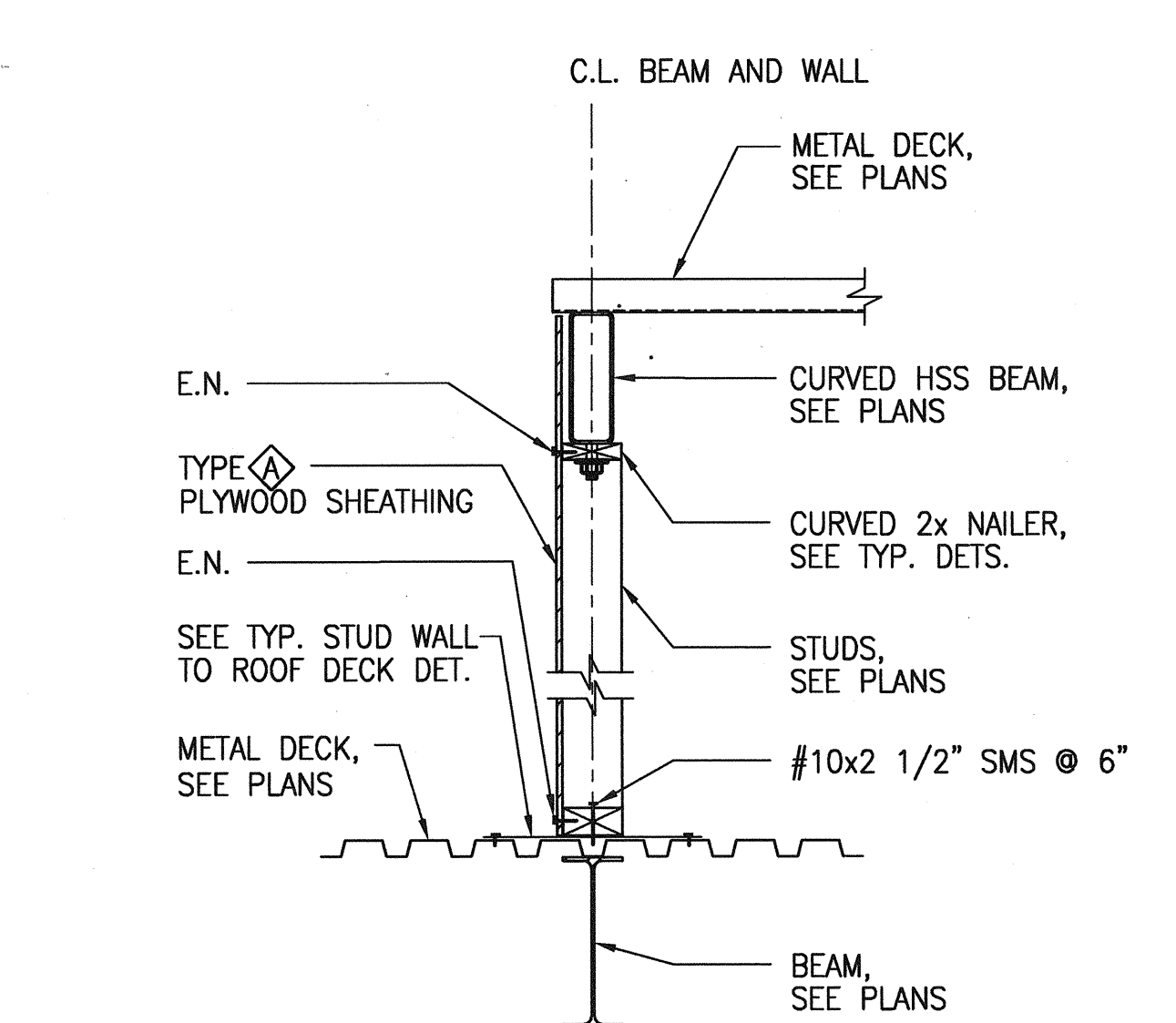
SECTION 11  
N.T.S.



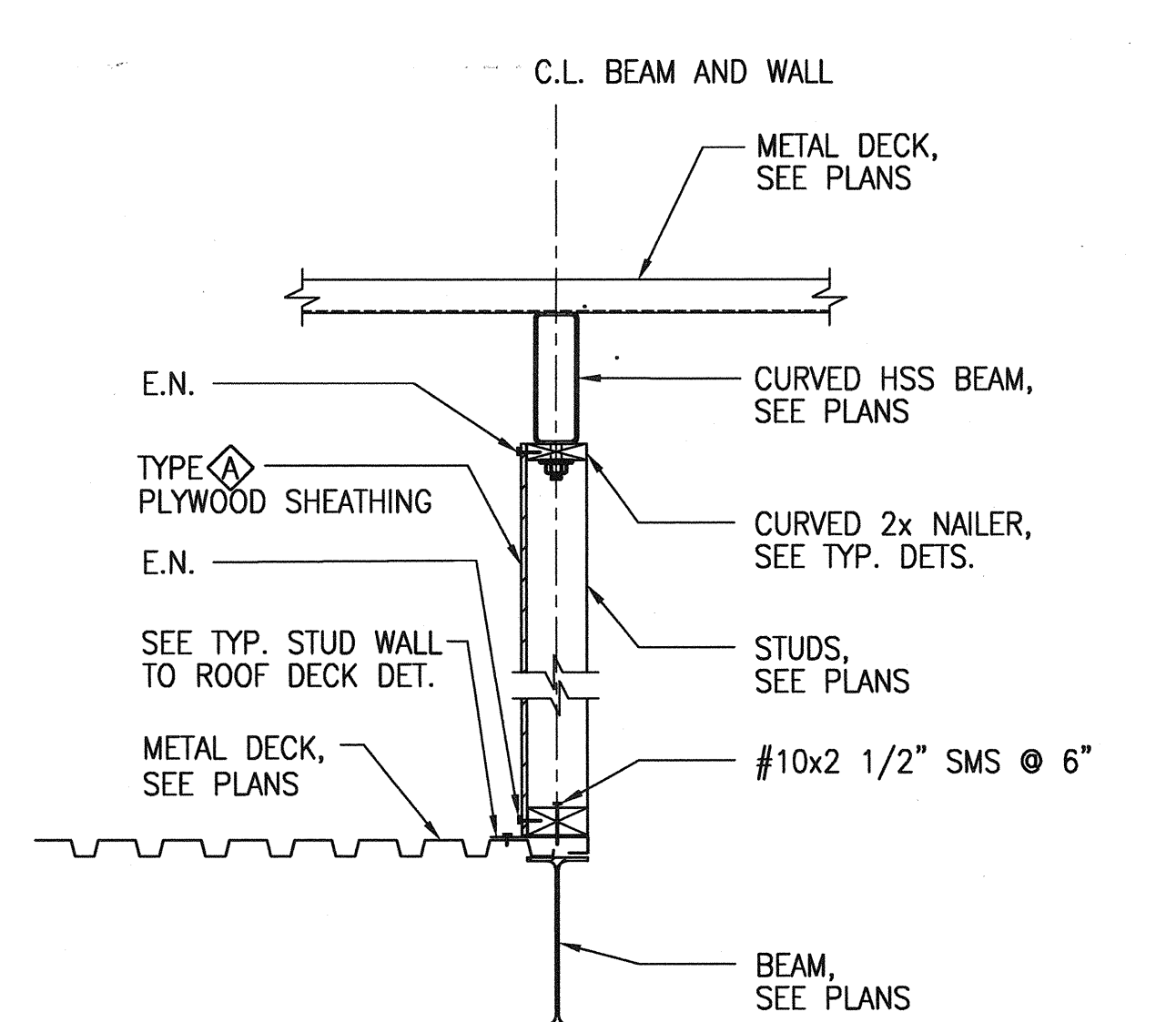
SECTION 12  
N.T.S.



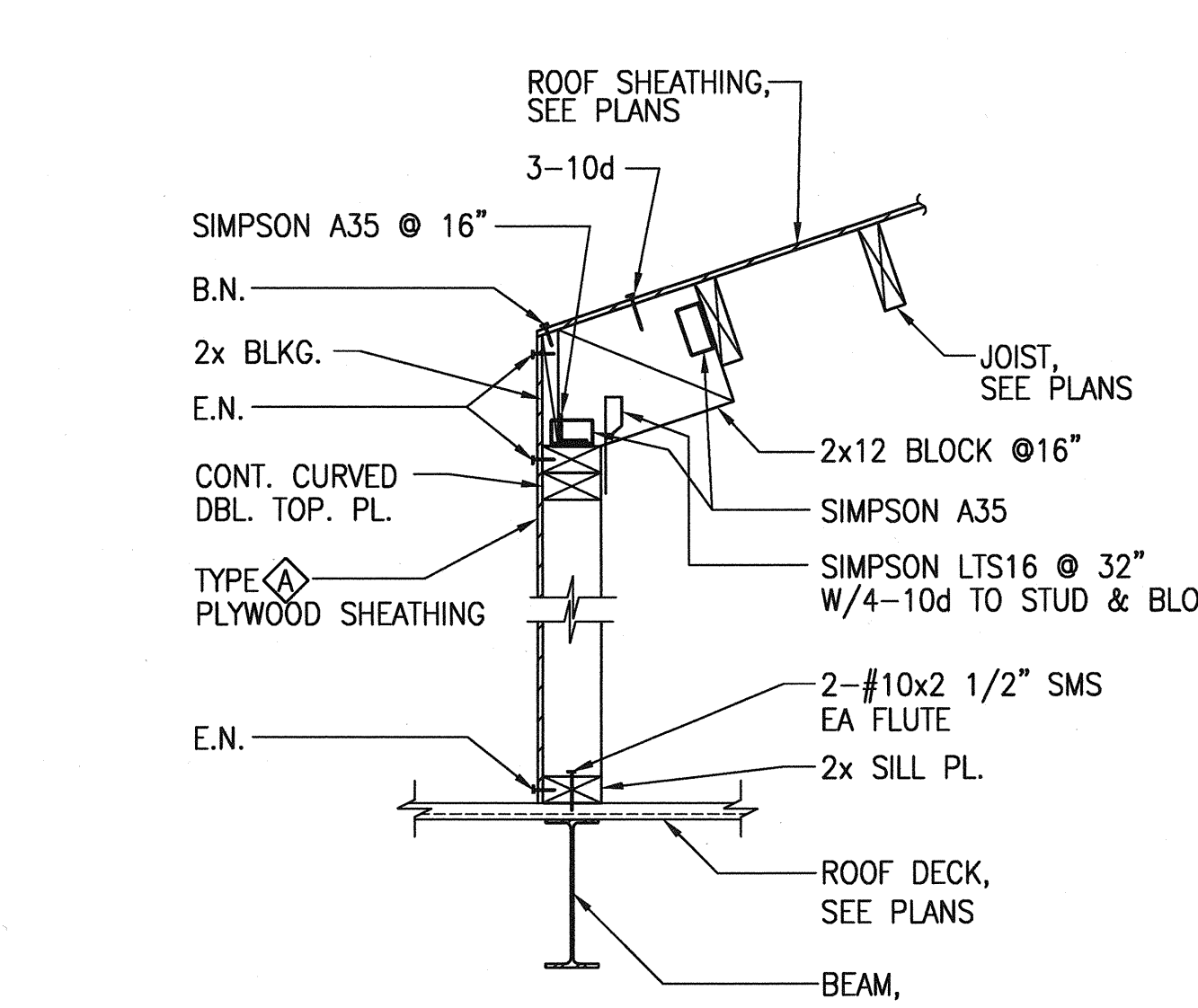
SECTION 13  
N.T.S.



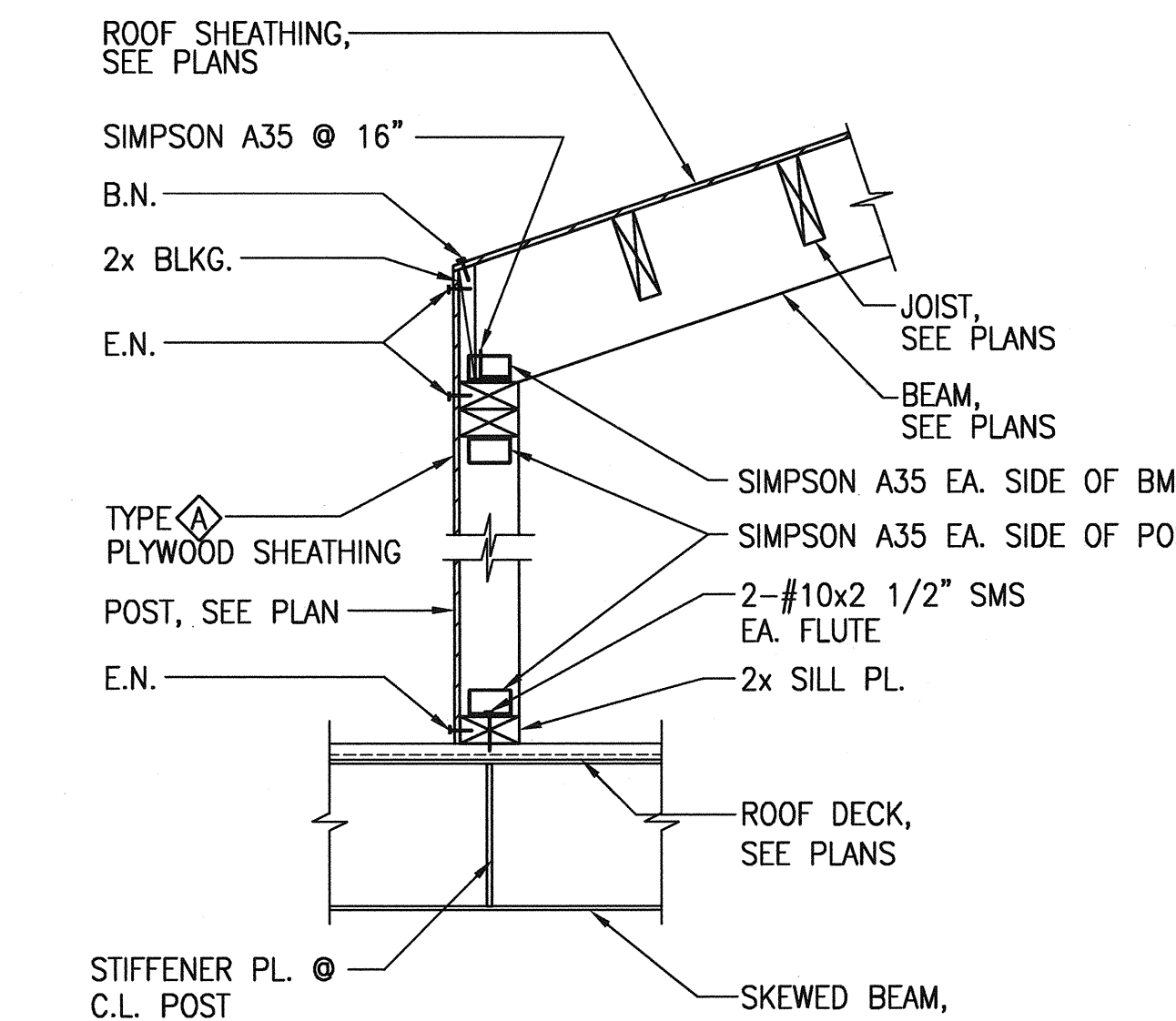
SECTION 14  
N.T.S.



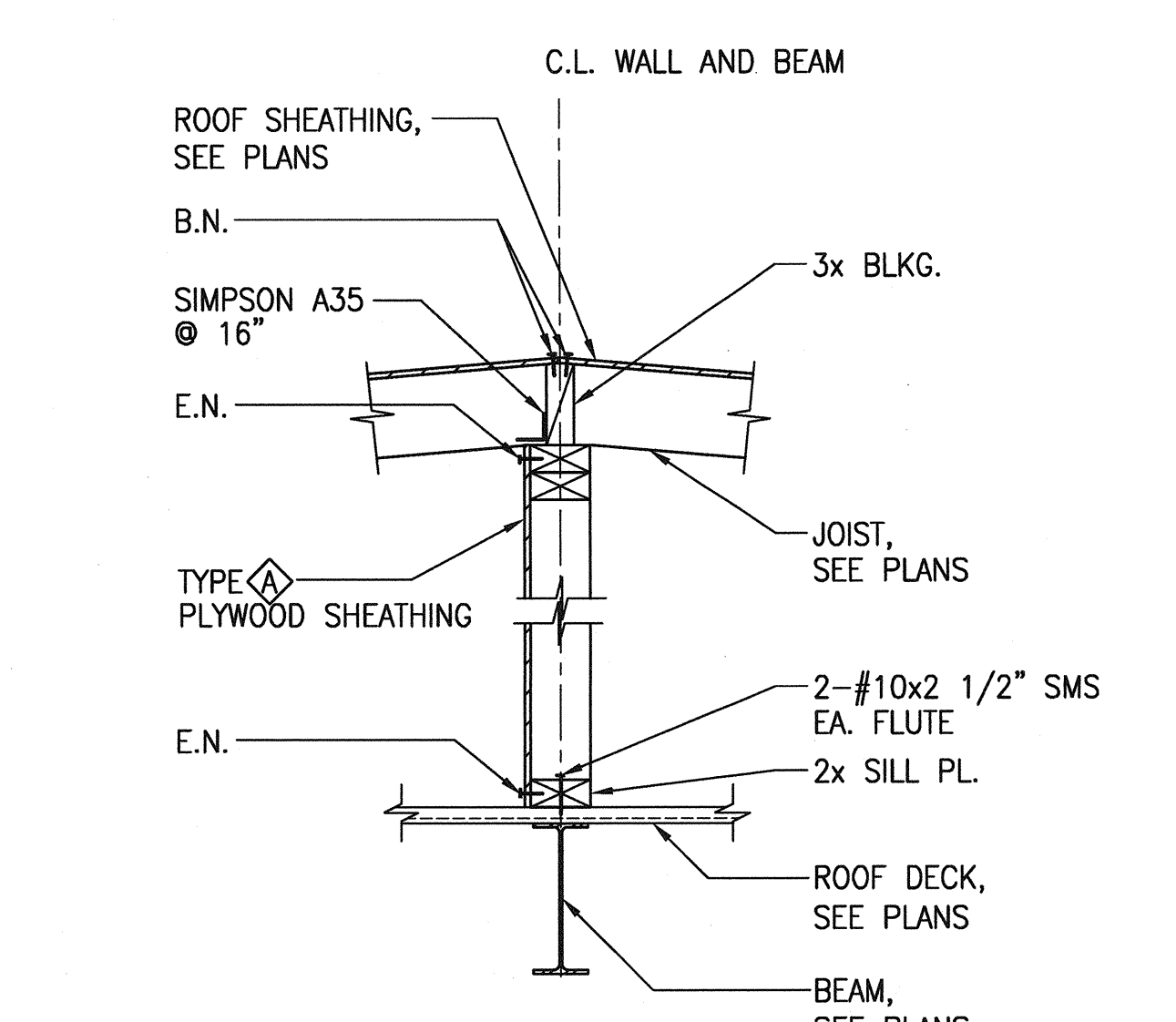
SECTION 15  
N.T.S.



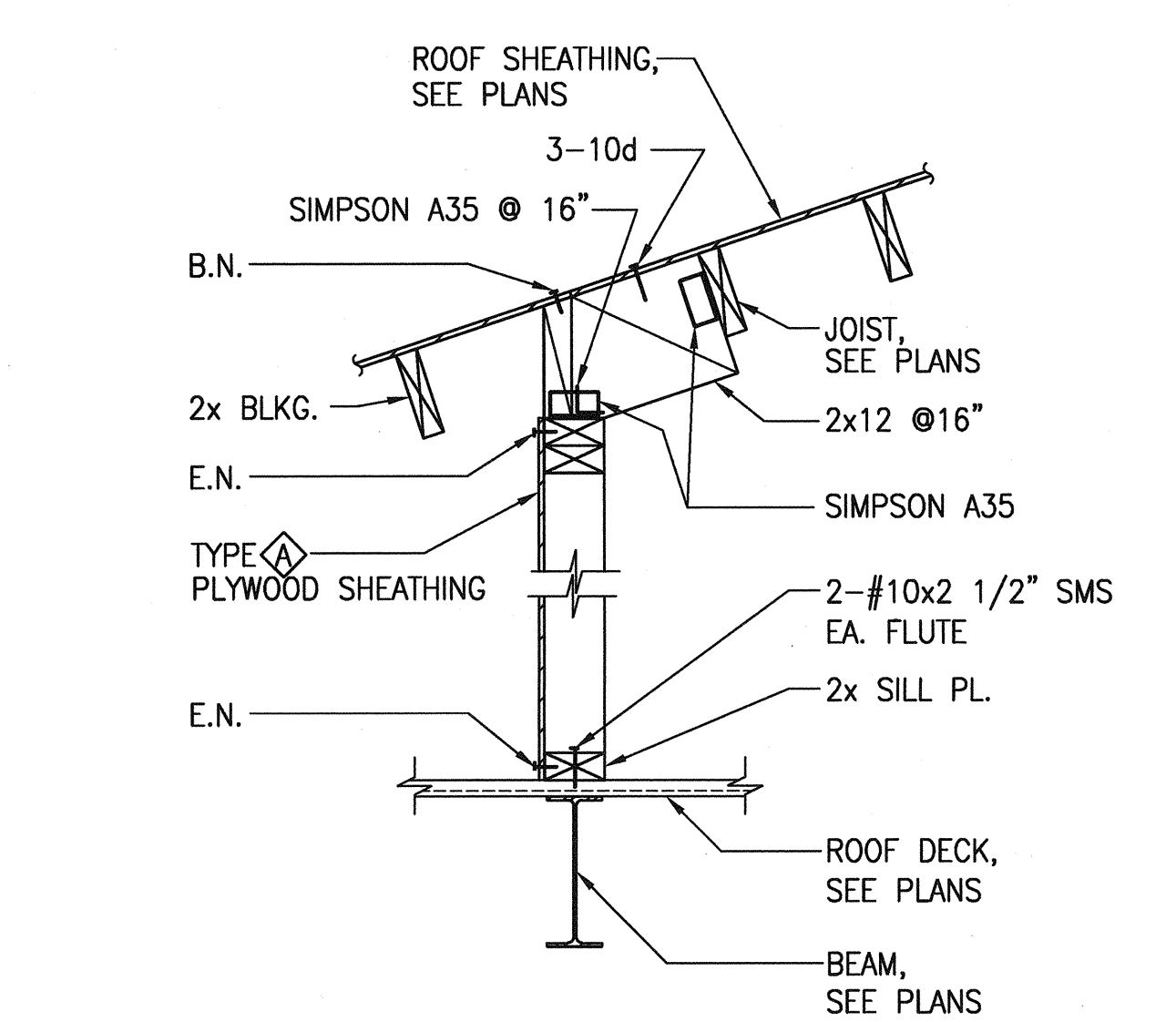
SECTION 16  
N.T.S.



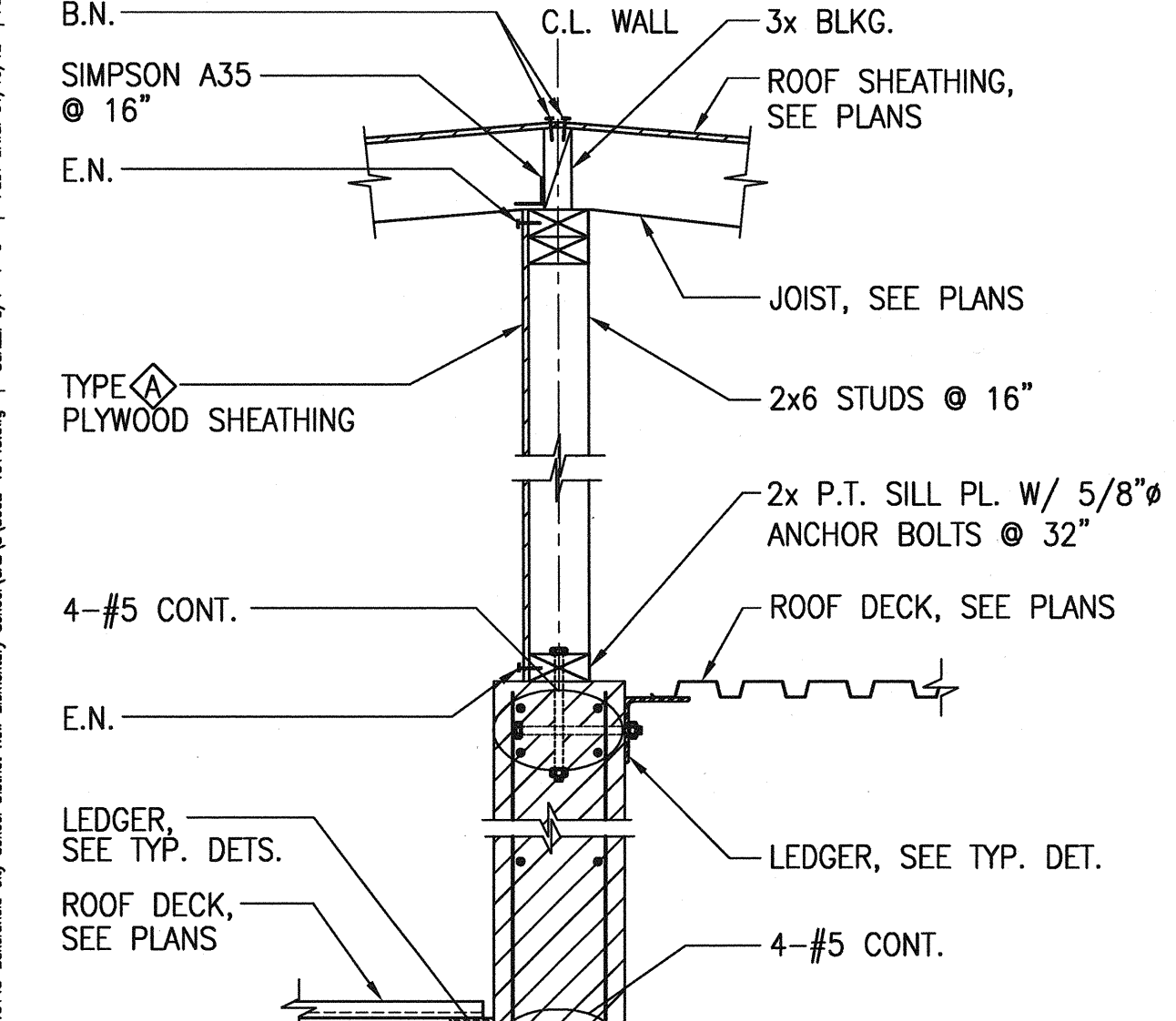
SECTION 17  
N.T.S.



SECTION 18  
N.T.S.



SECTION 19  
N.T.S.



SECTION 20  
N.T.S.

1. SHEETS MADE IN VIEW OF THE BAKERSFIELD CITY SCHOOL DISTRICT FOR THE ELEMENTARY SCHOOL PROJECT. SHEET NO. S602 OF 602. DRAWN BY: MDC. CHECKED BY: MDC. DATE: 01/24/12.