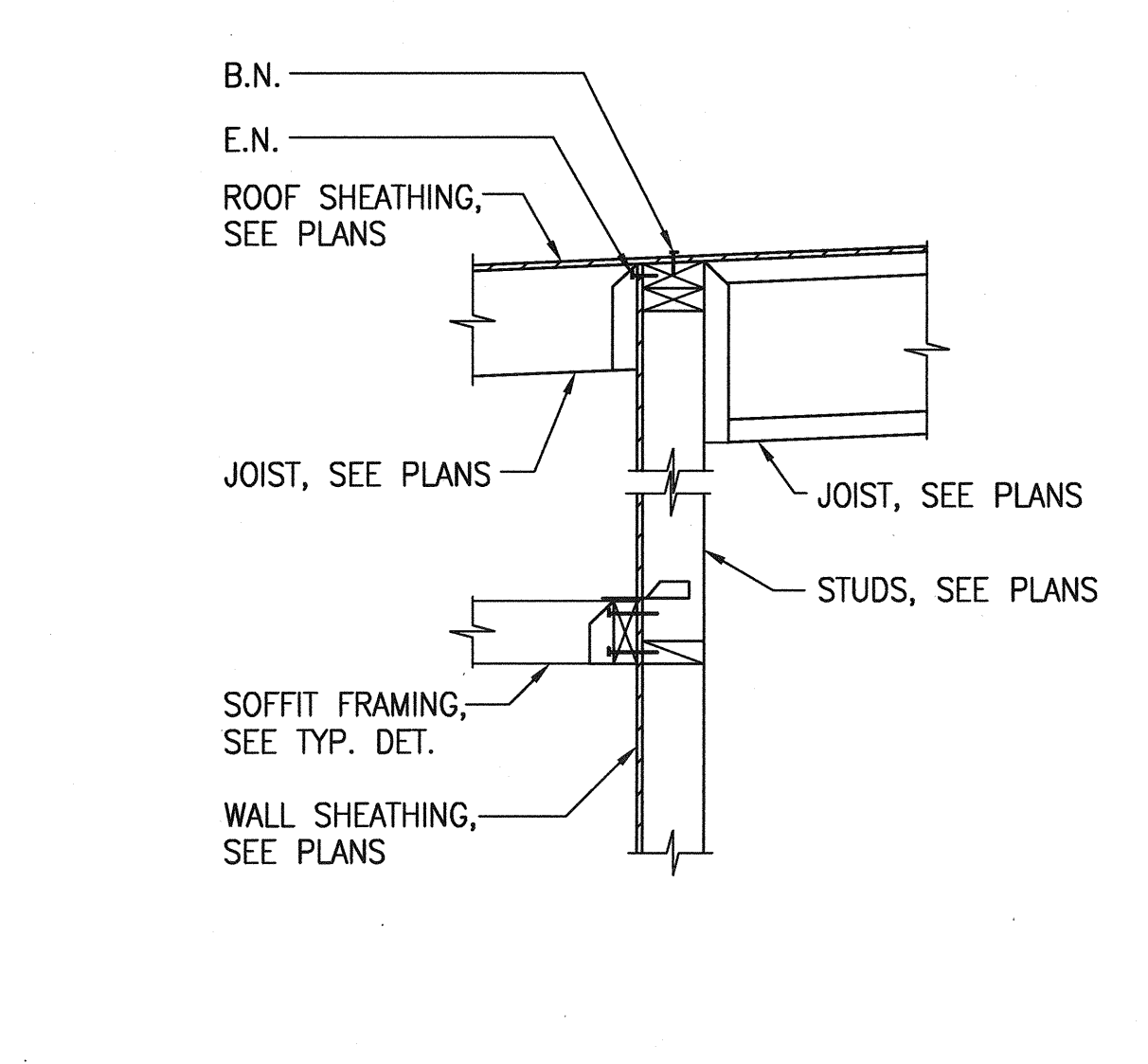
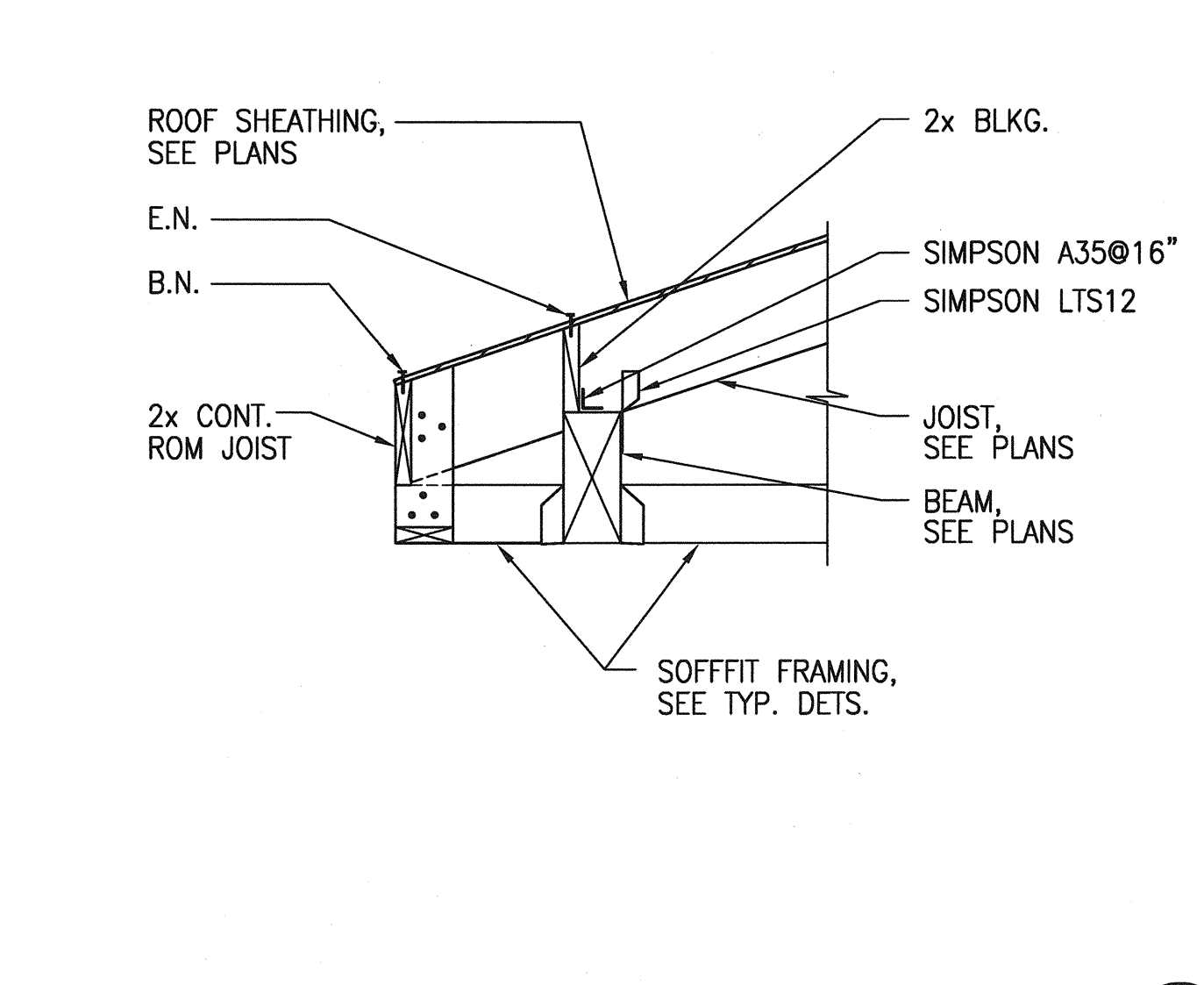


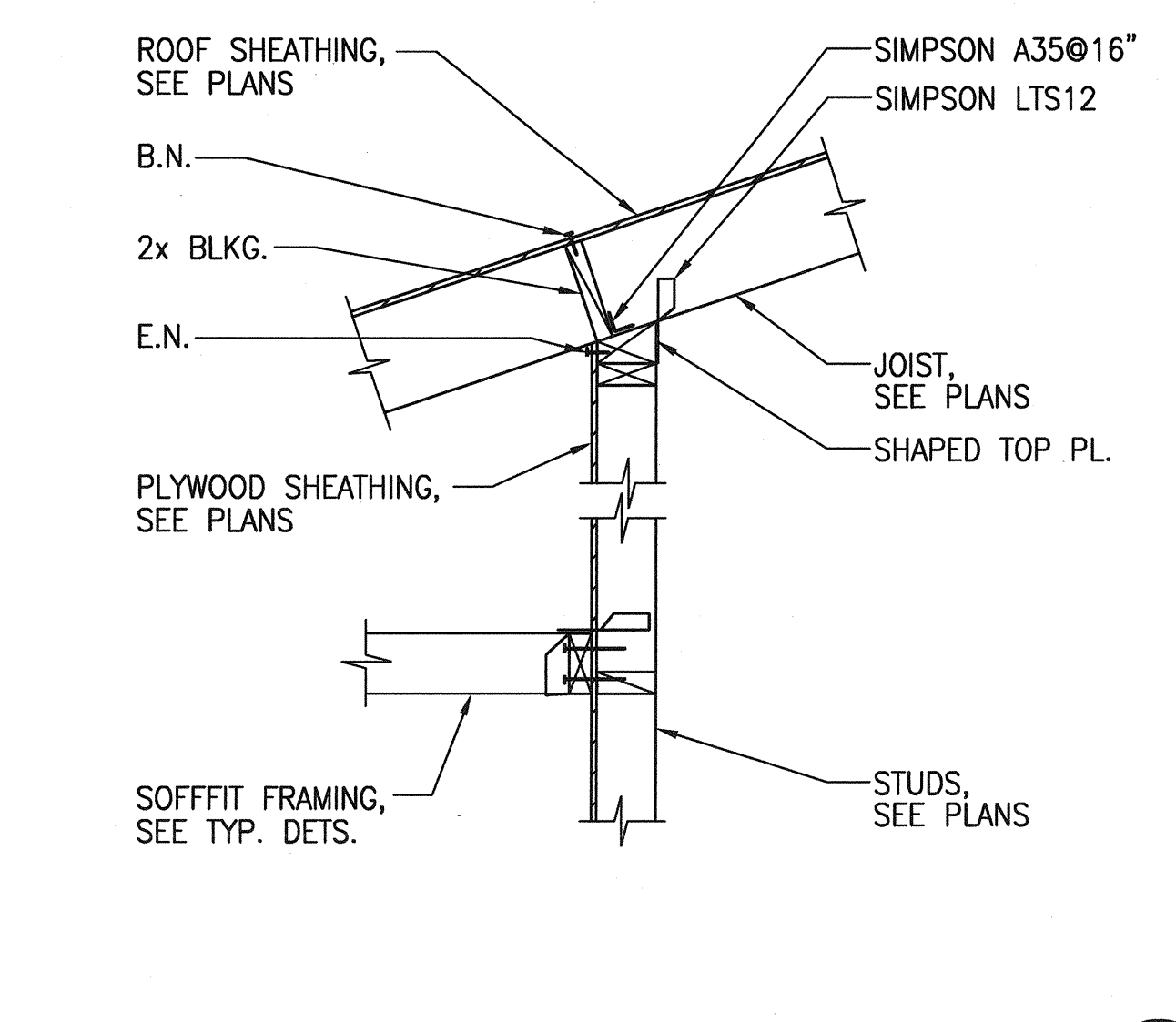
SECTION 5
N.T.S.



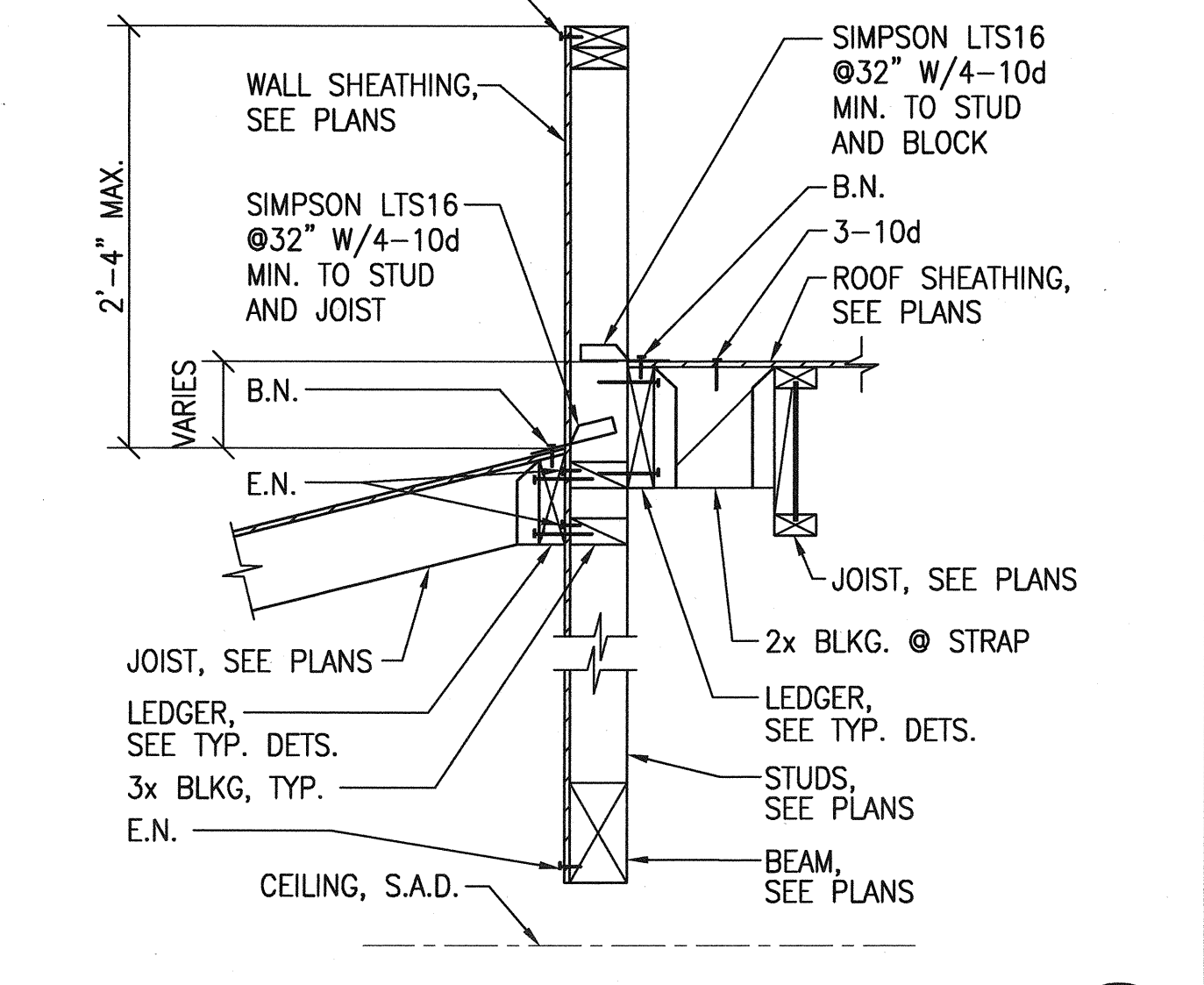
SECTION 4
N.T.S.



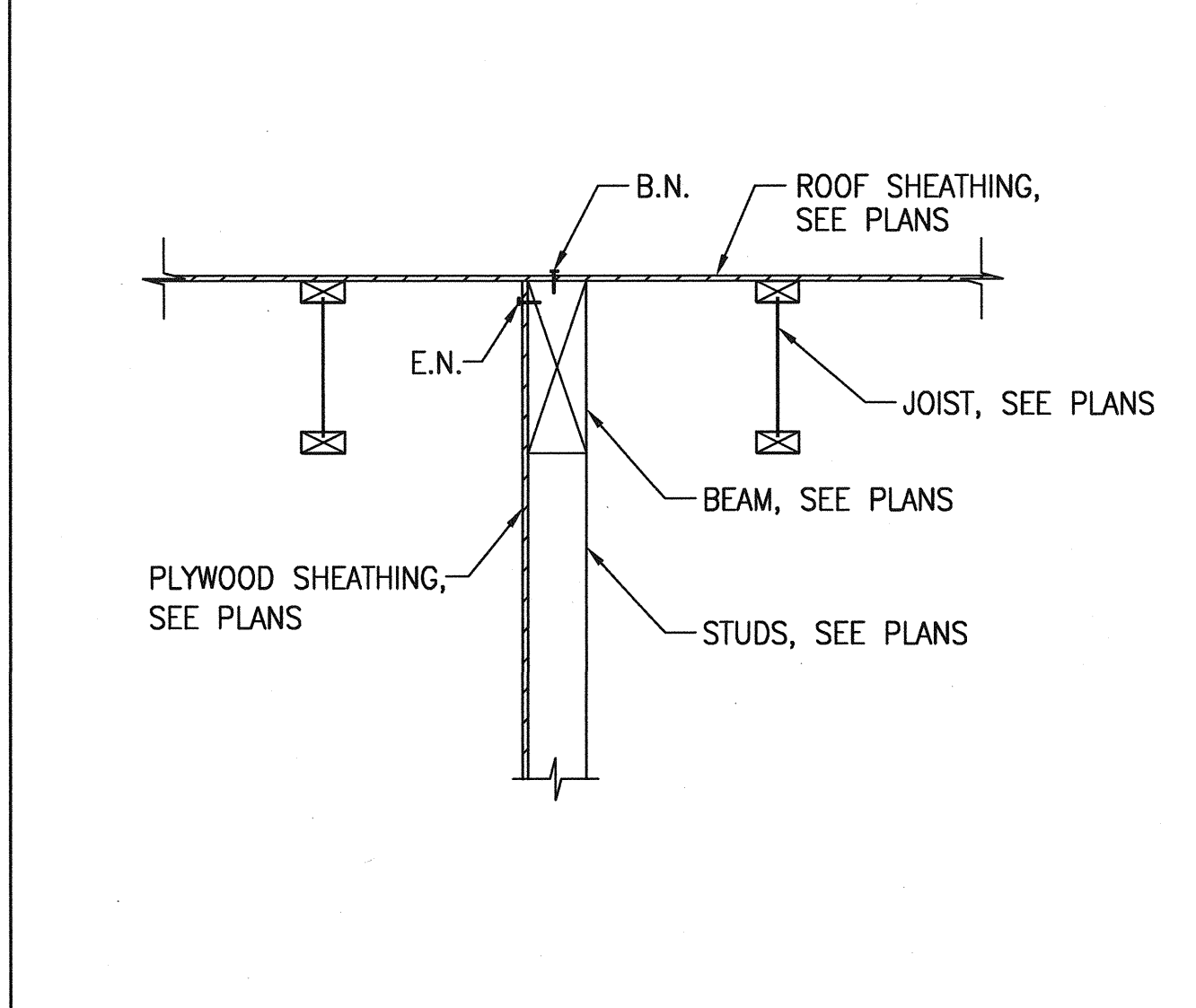
SECTION 3
N.T.S.



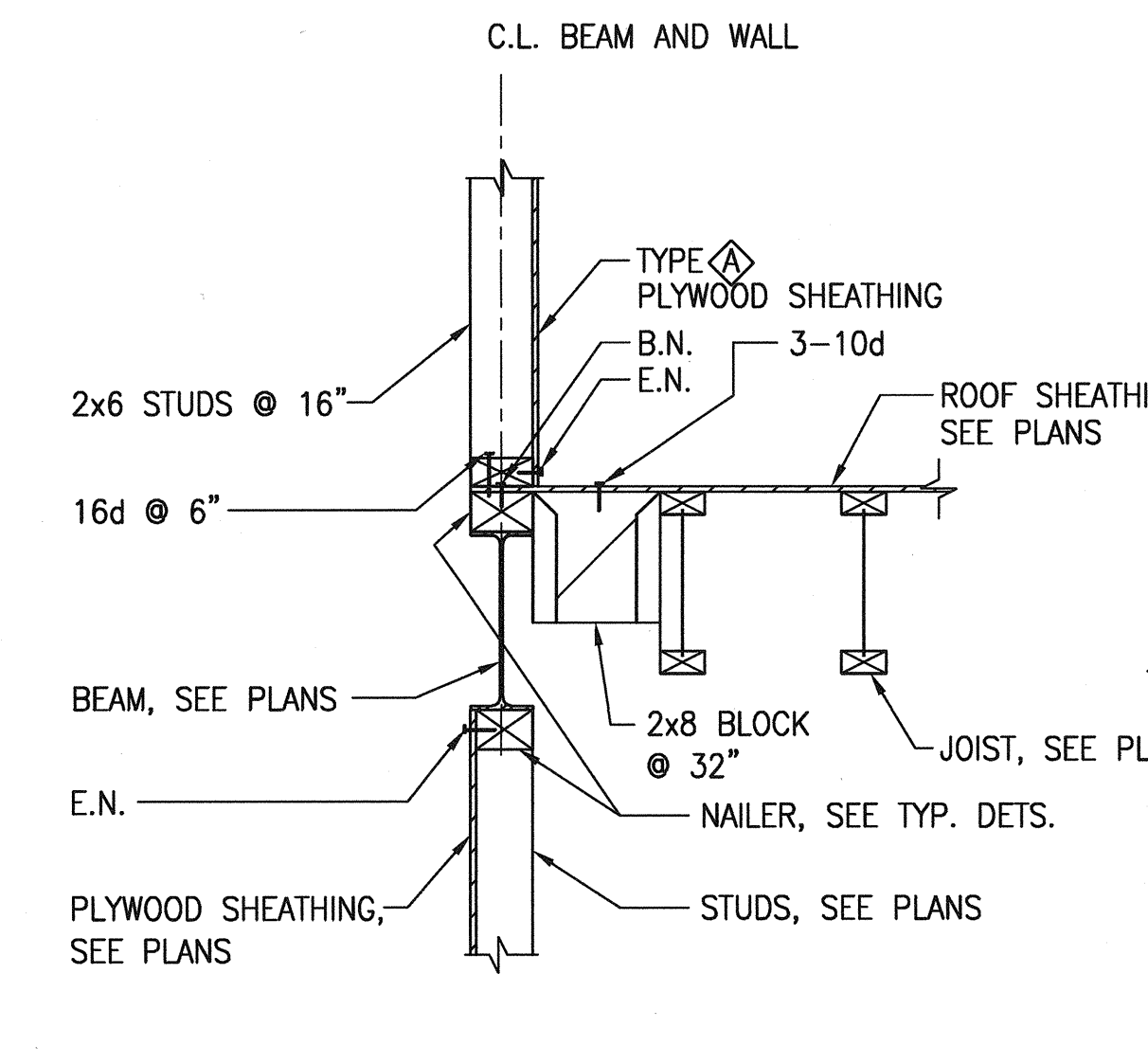
SECTION 2
N.T.S.



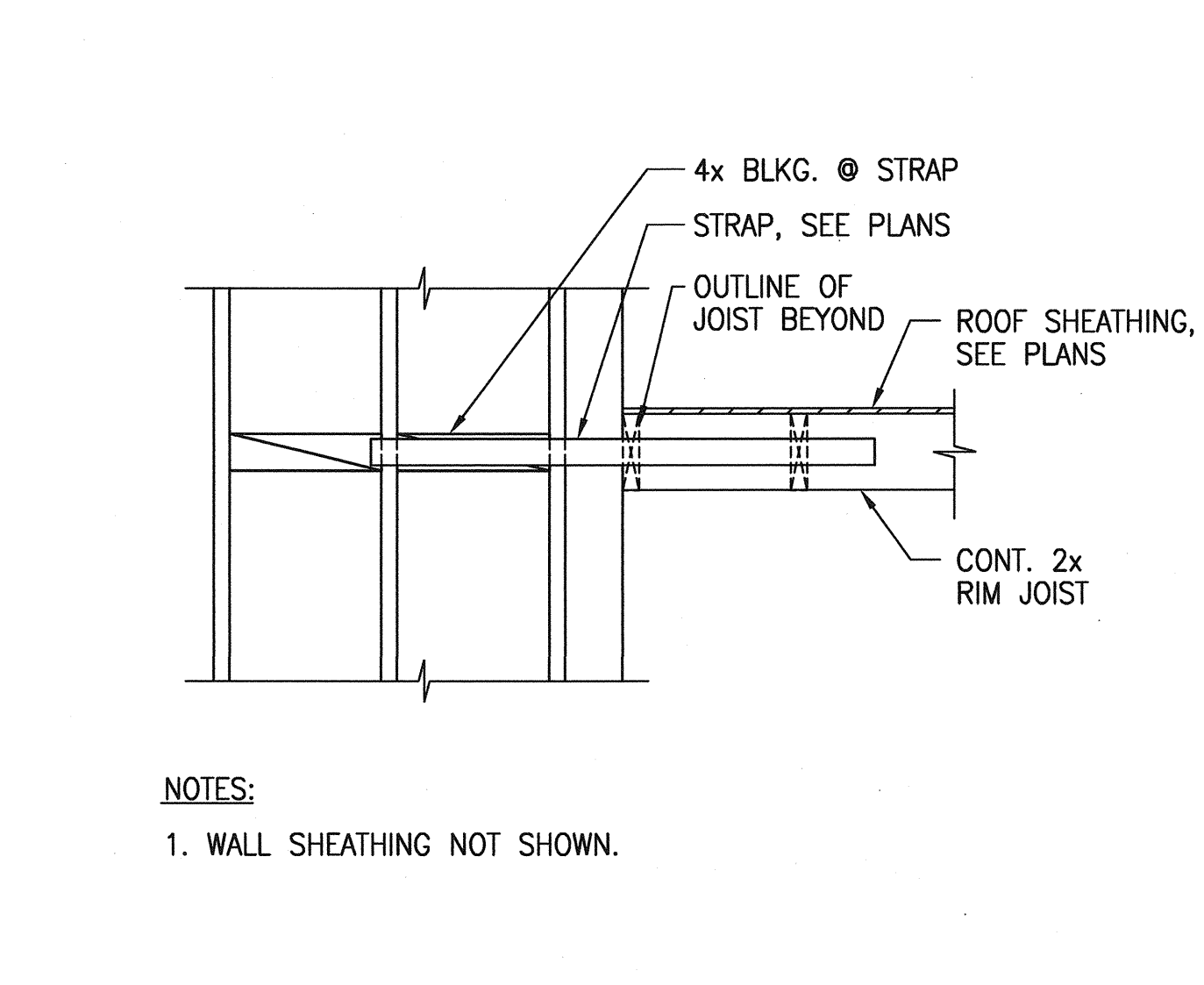
SECTION 1
N.T.S.



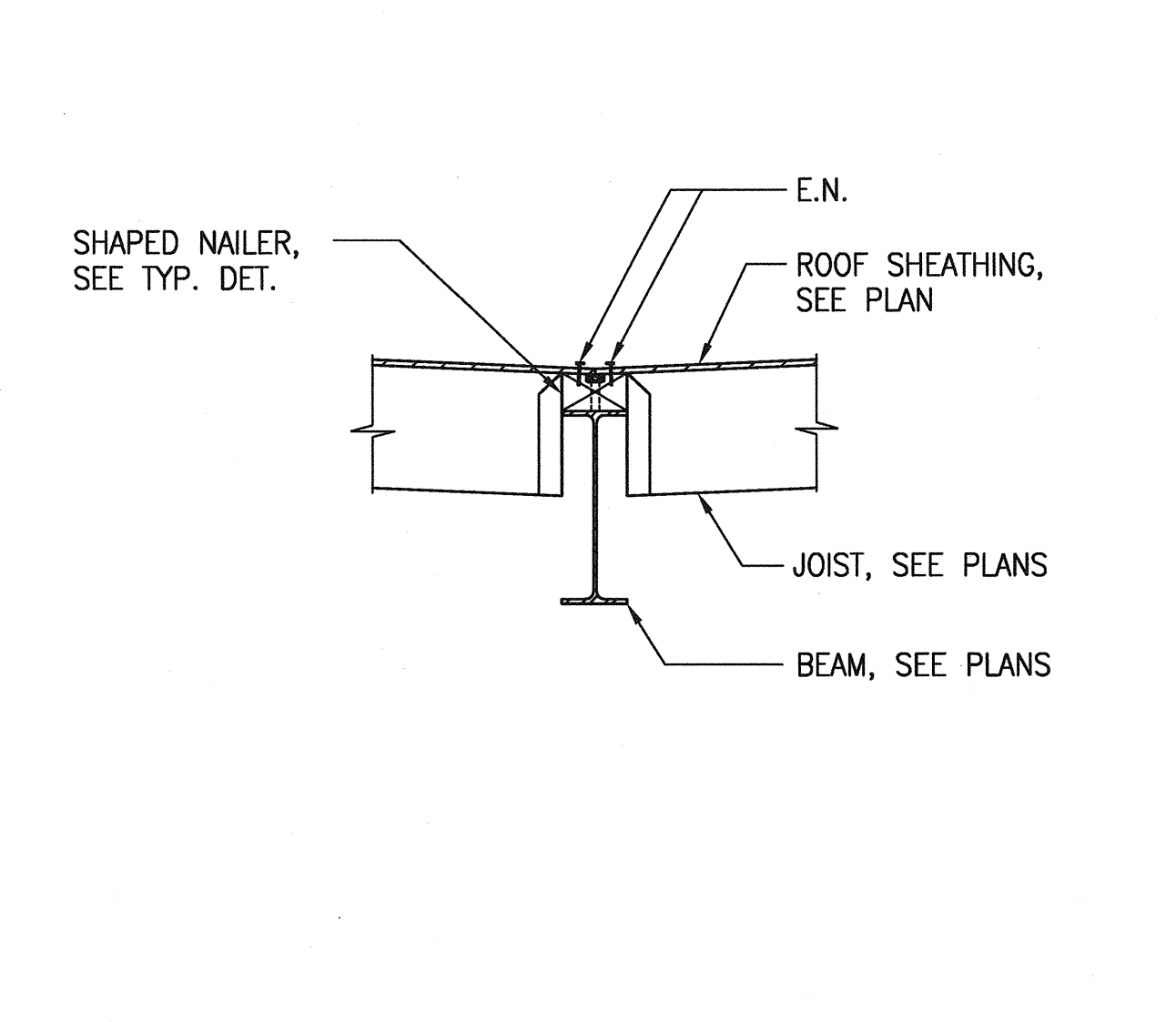
SECTION 10
N.T.S.



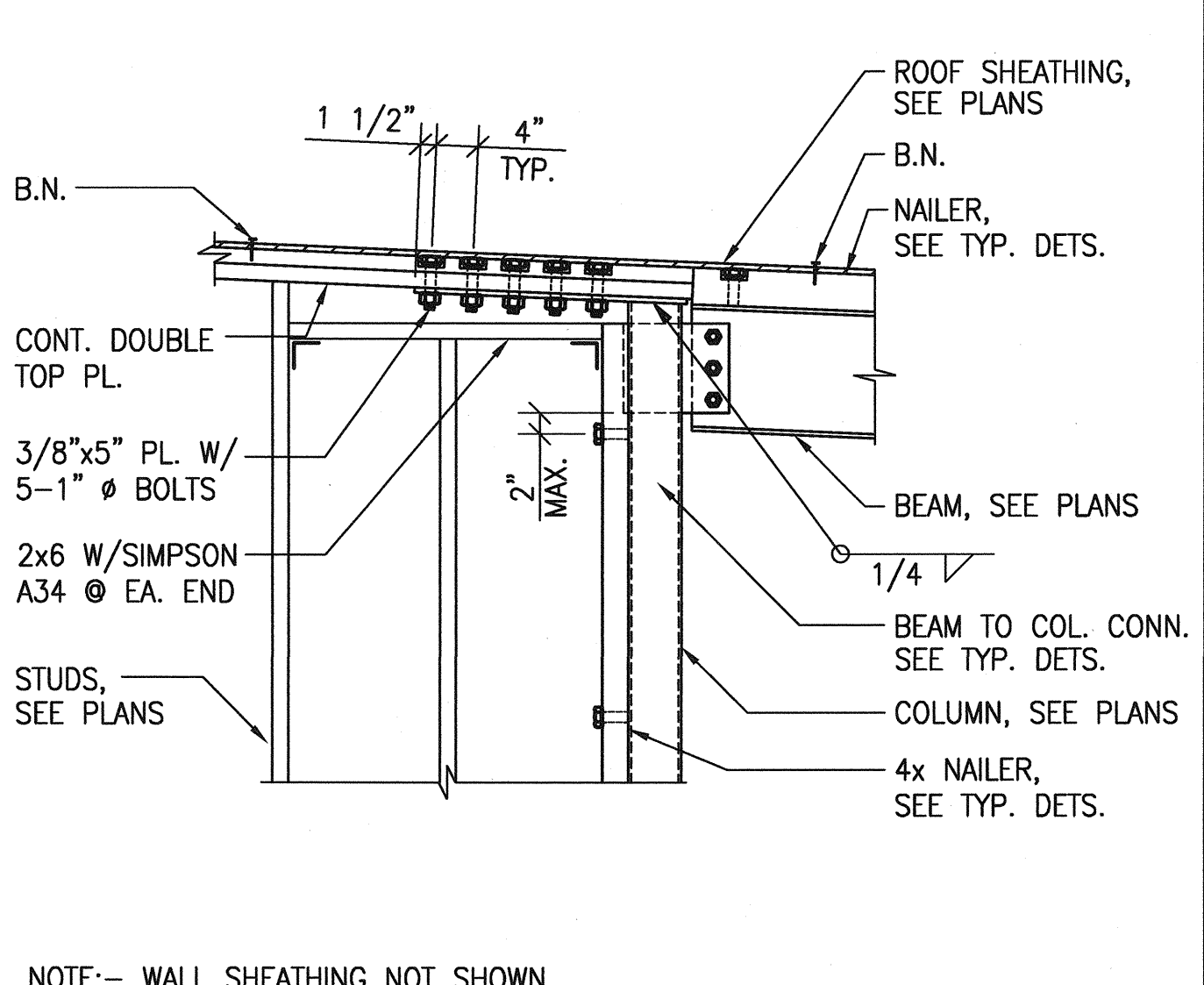
SECTION 9
N.T.S.



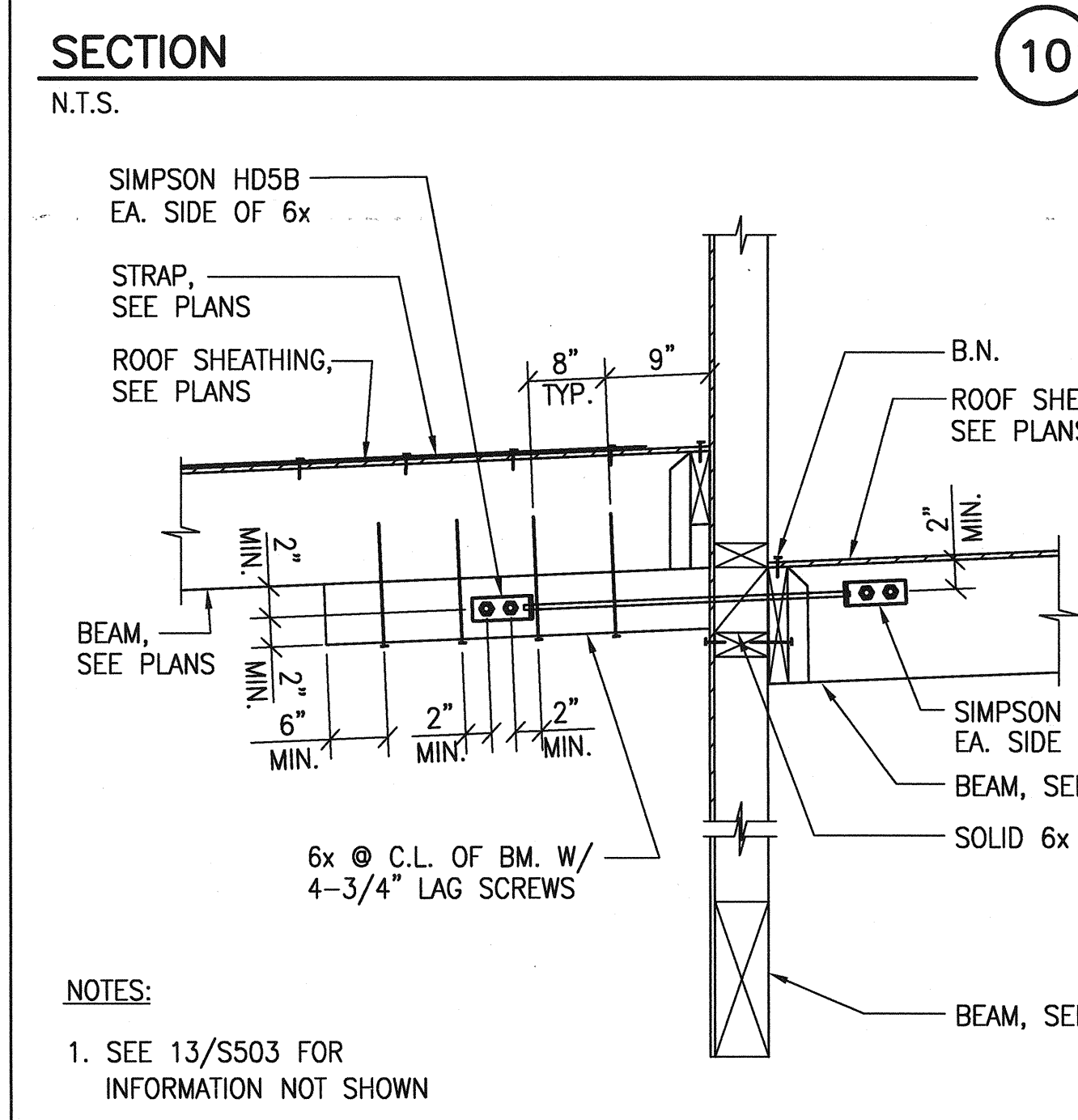
SECTION 8
N.T.S.



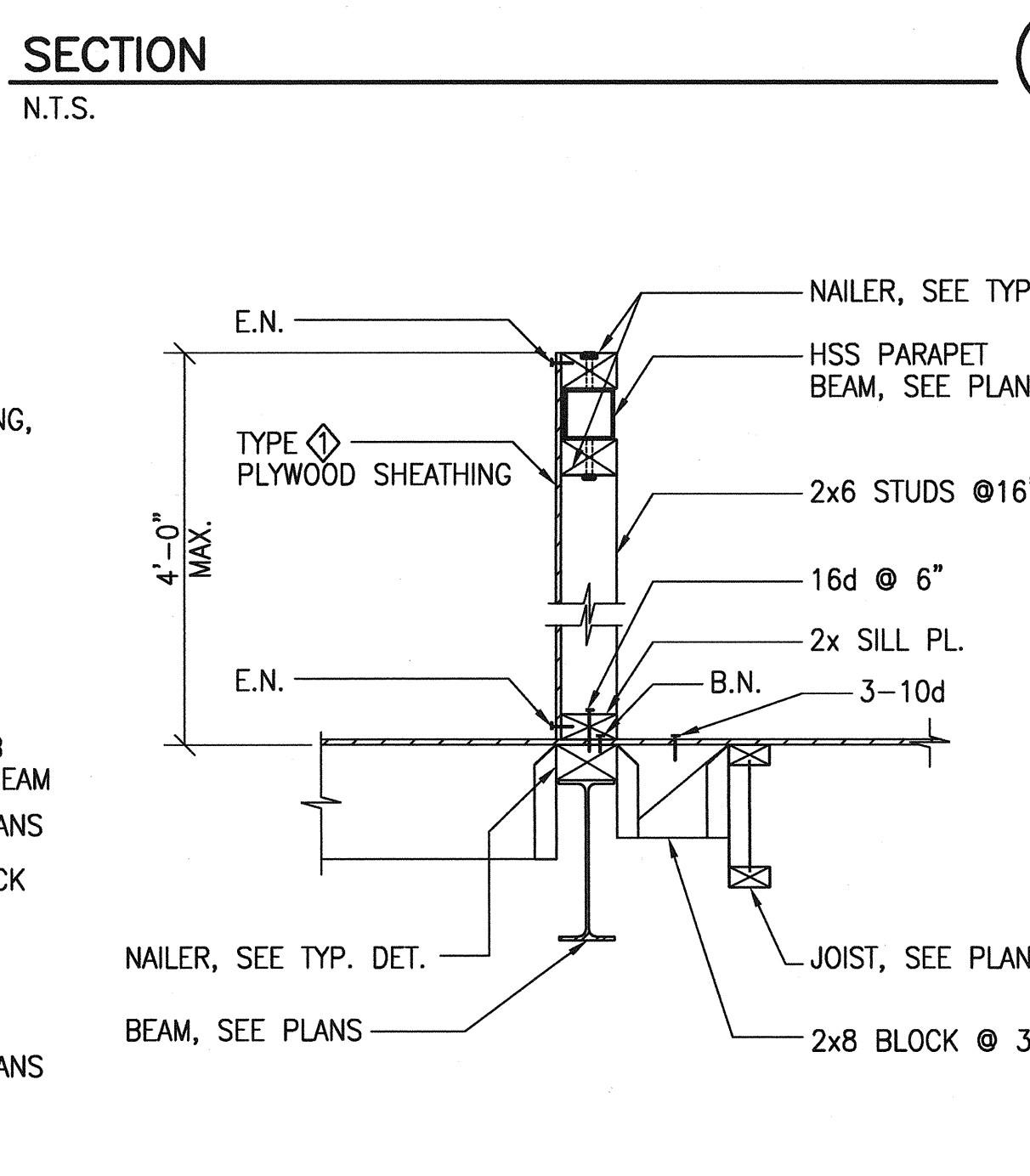
SECTION 7
N.T.S.



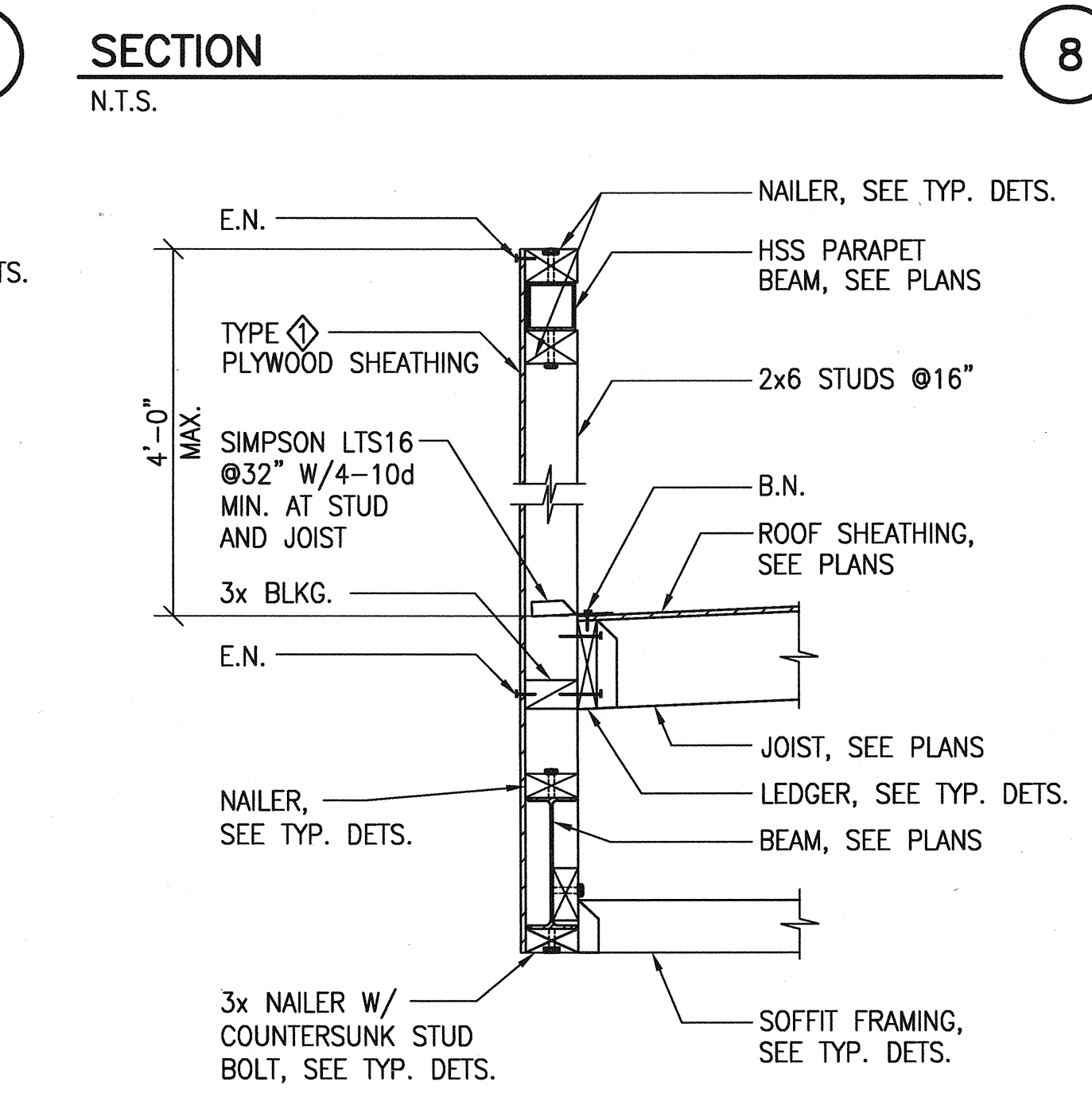
SECTION 6
N.T.S.



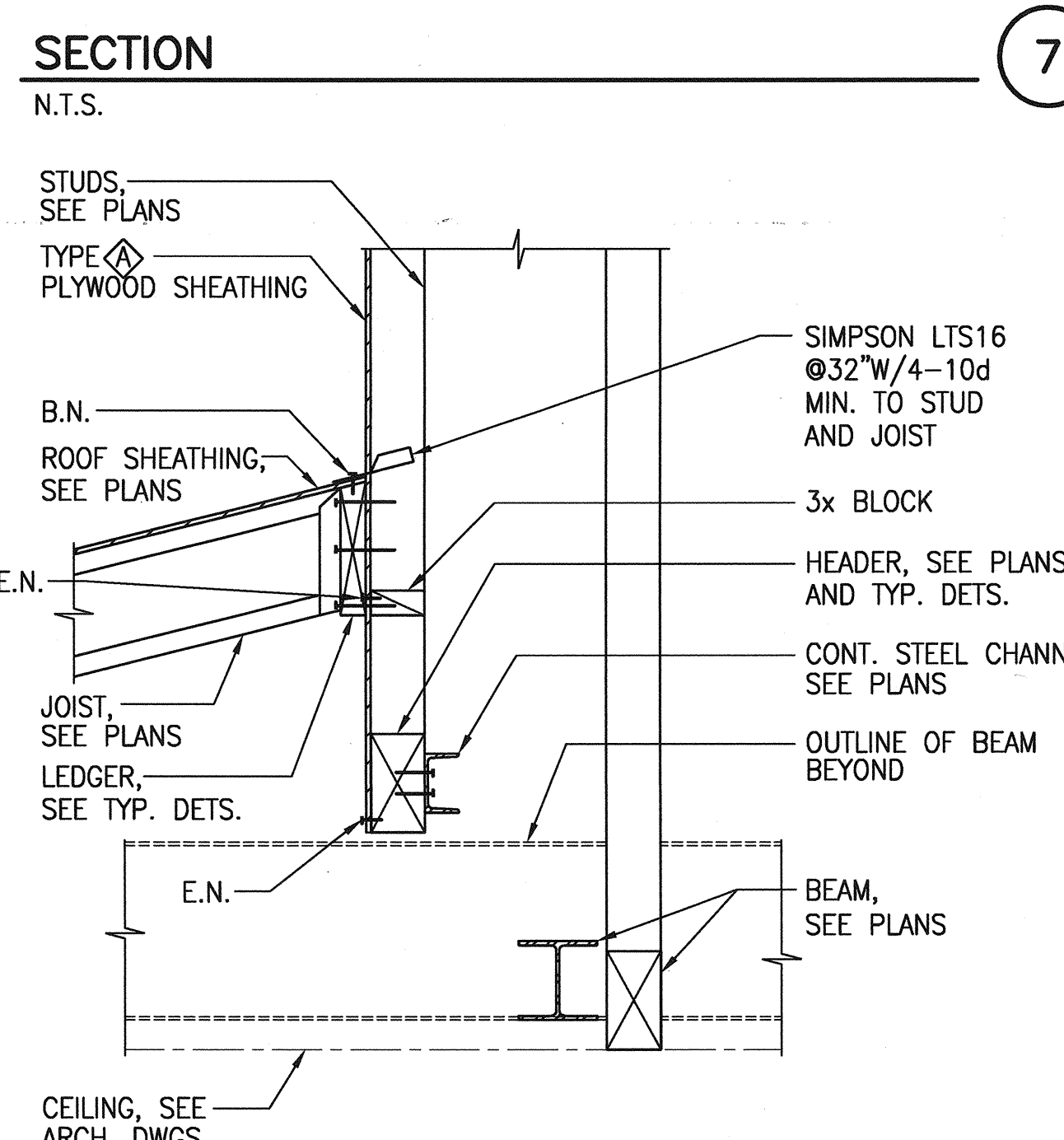
SECTION 15
N.T.S.



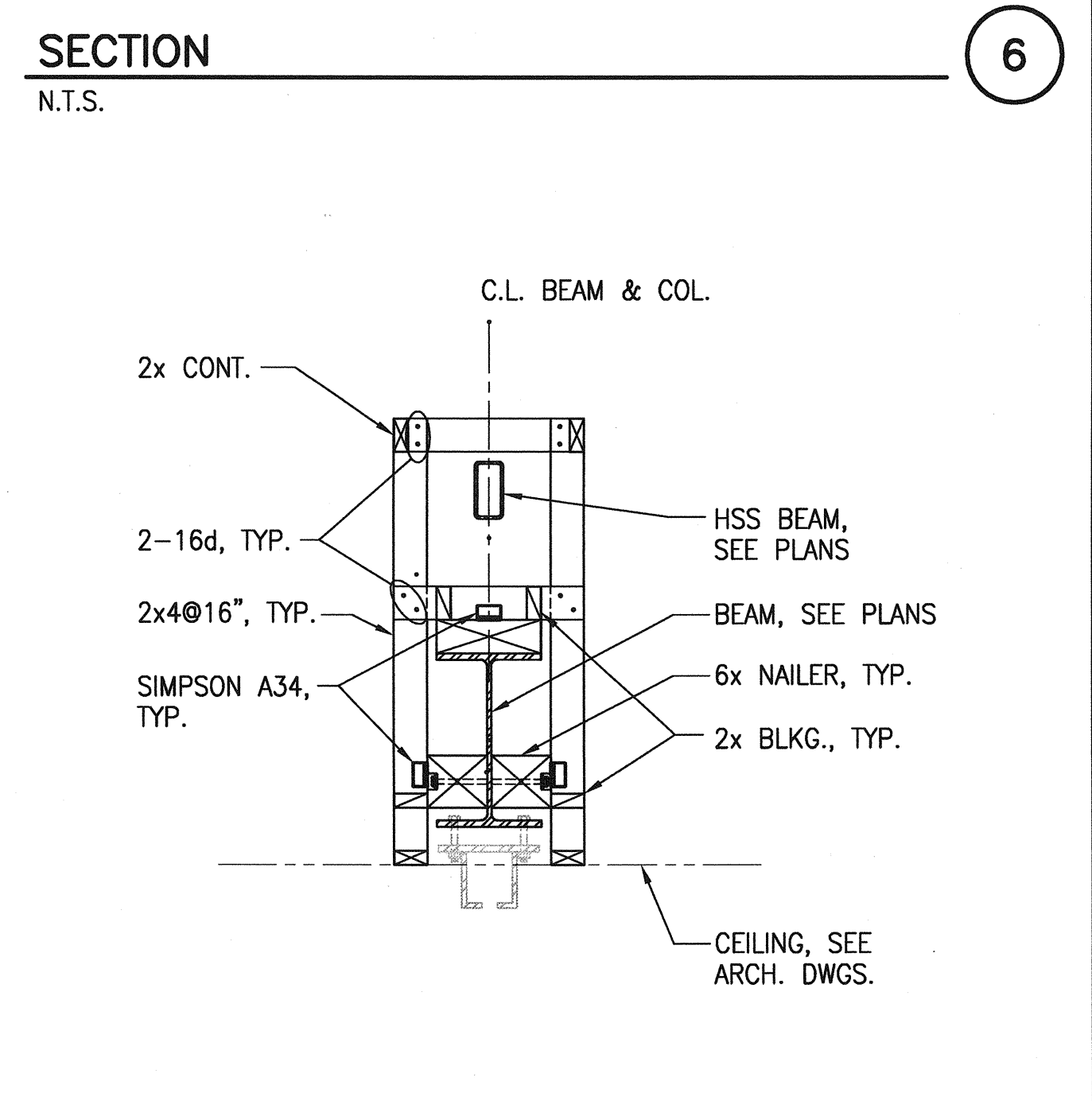
SECTION 14
N.T.S.



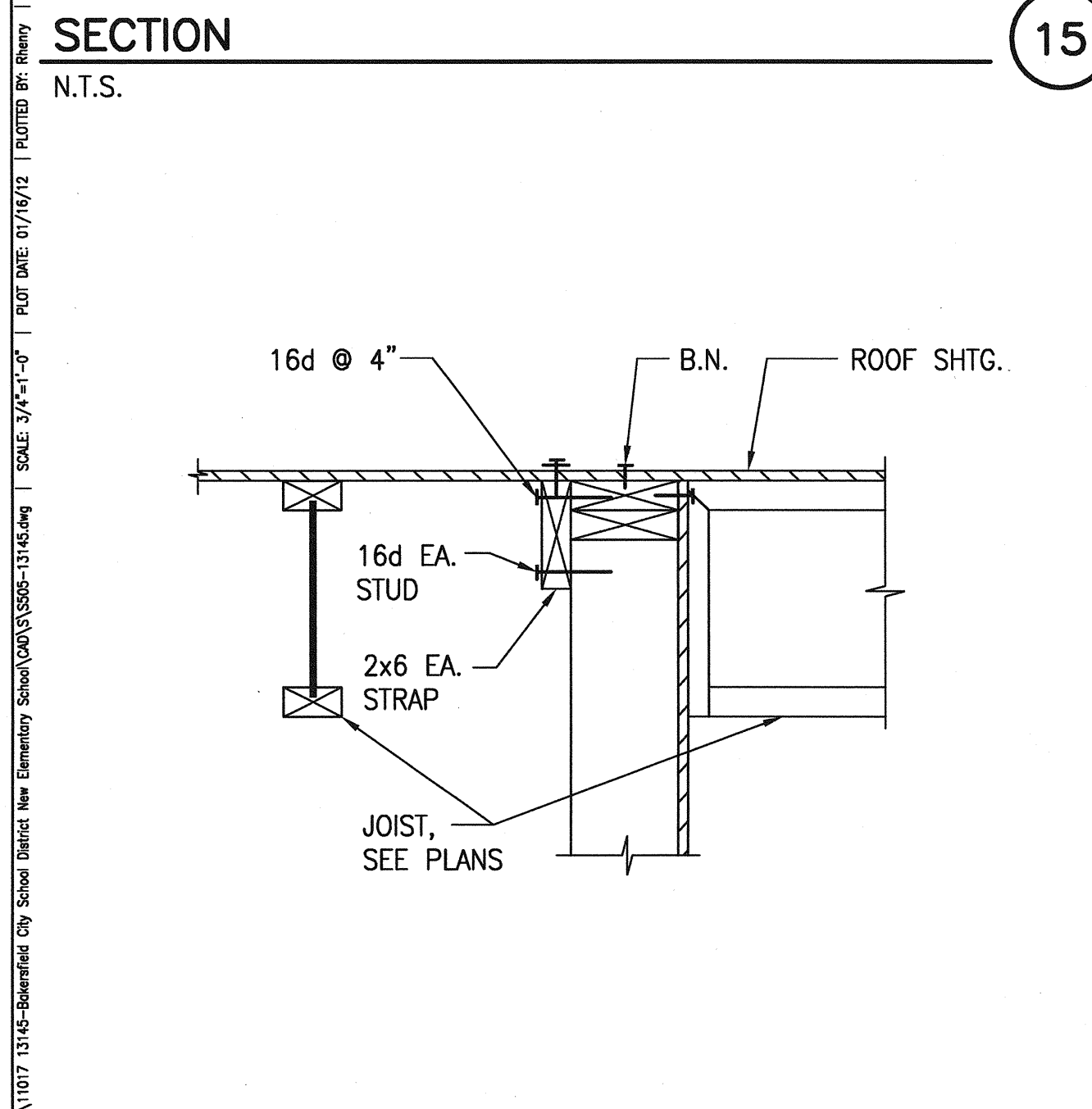
SECTION 13
N.T.S.



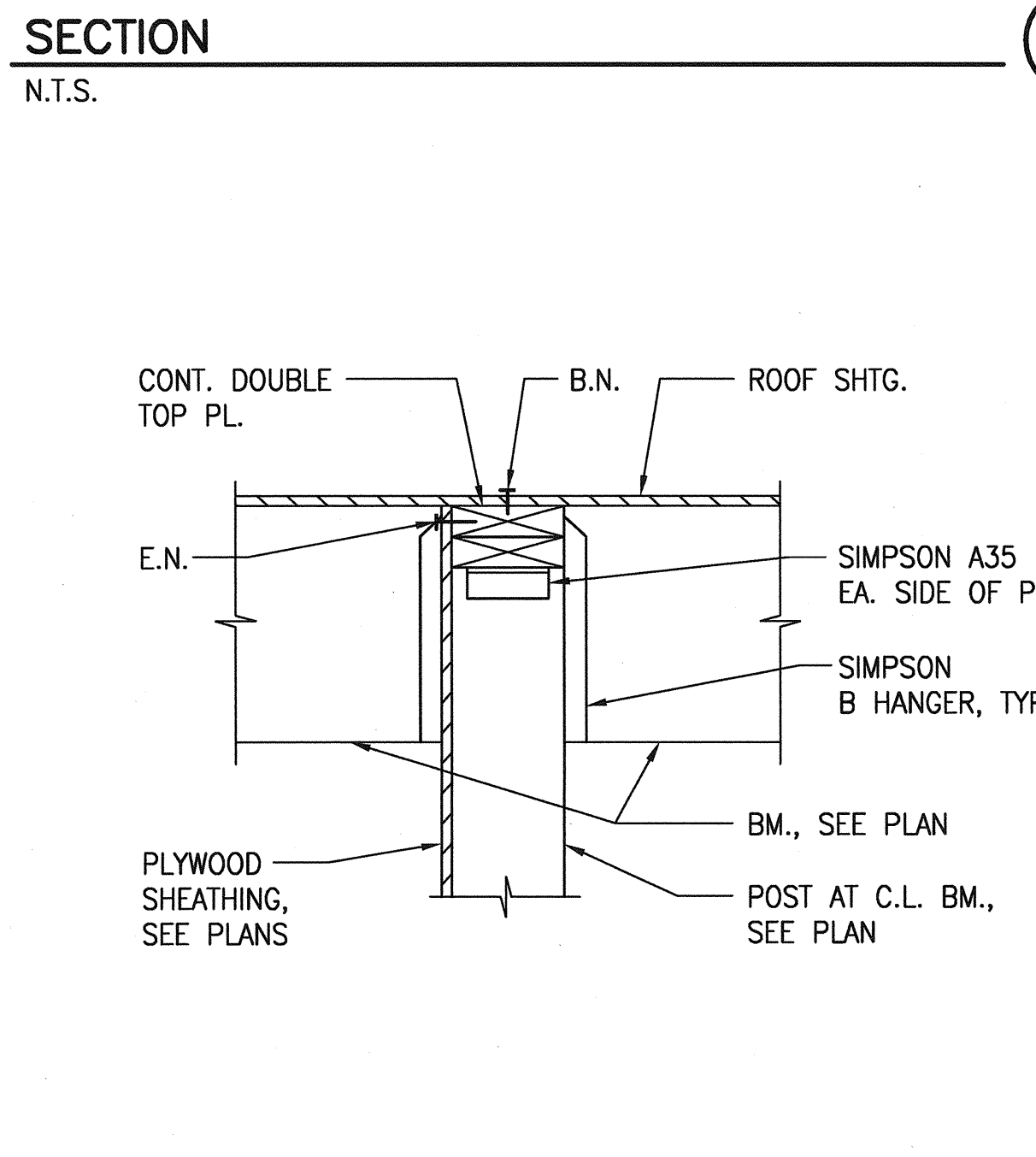
SECTION 12
N.T.S.



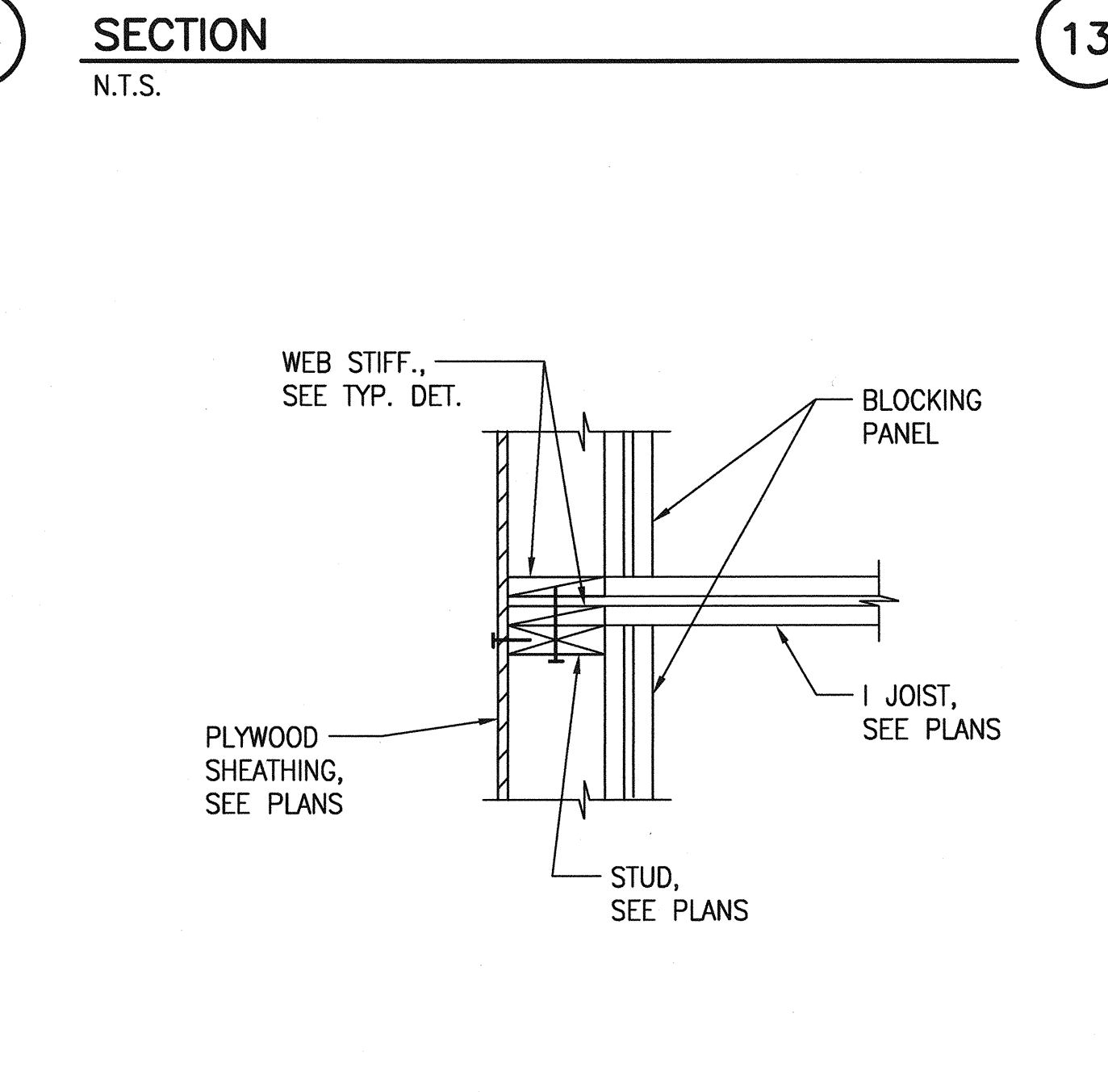
SECTION 11
N.T.S.



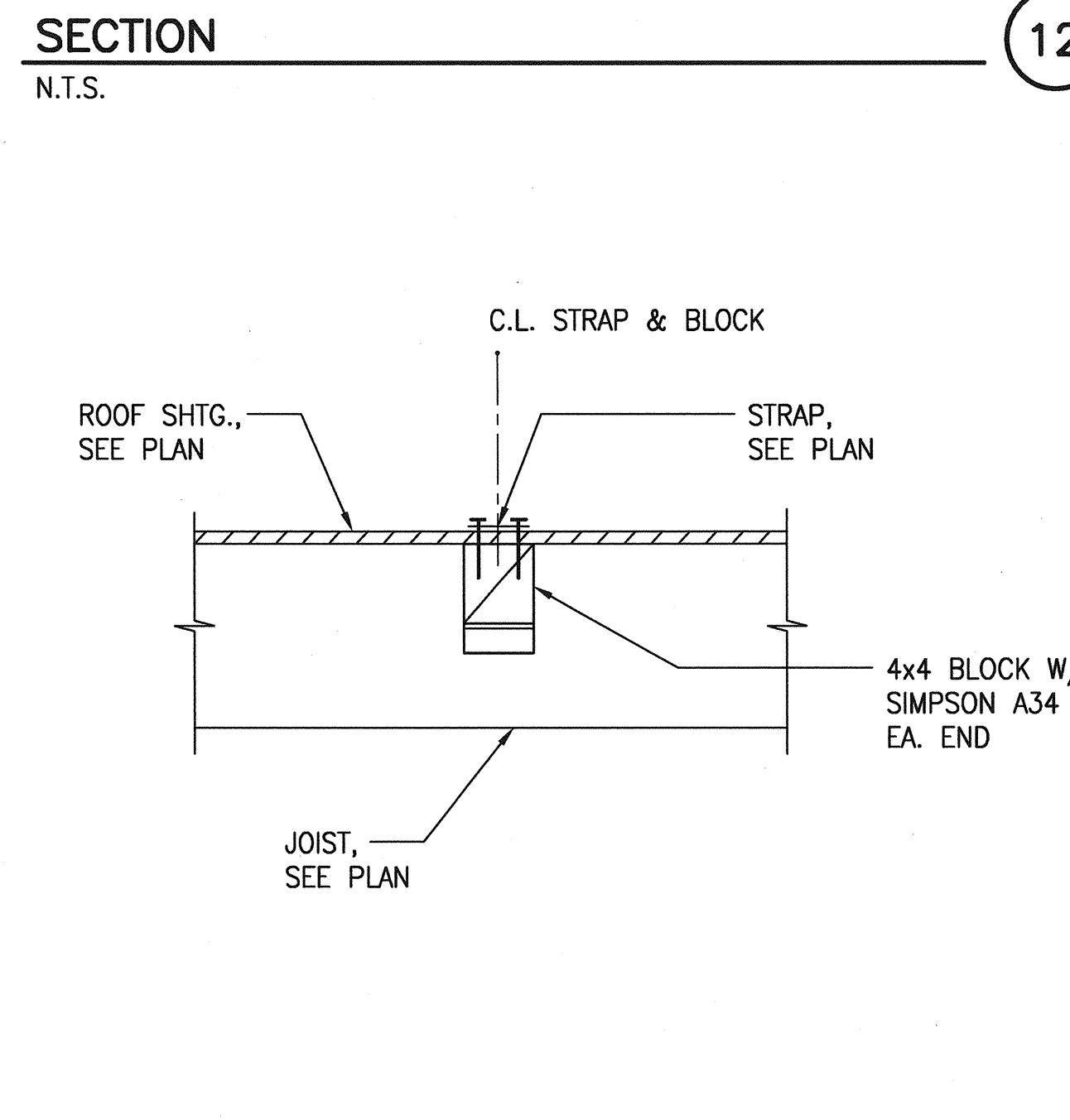
SECTION 20
N.T.S.



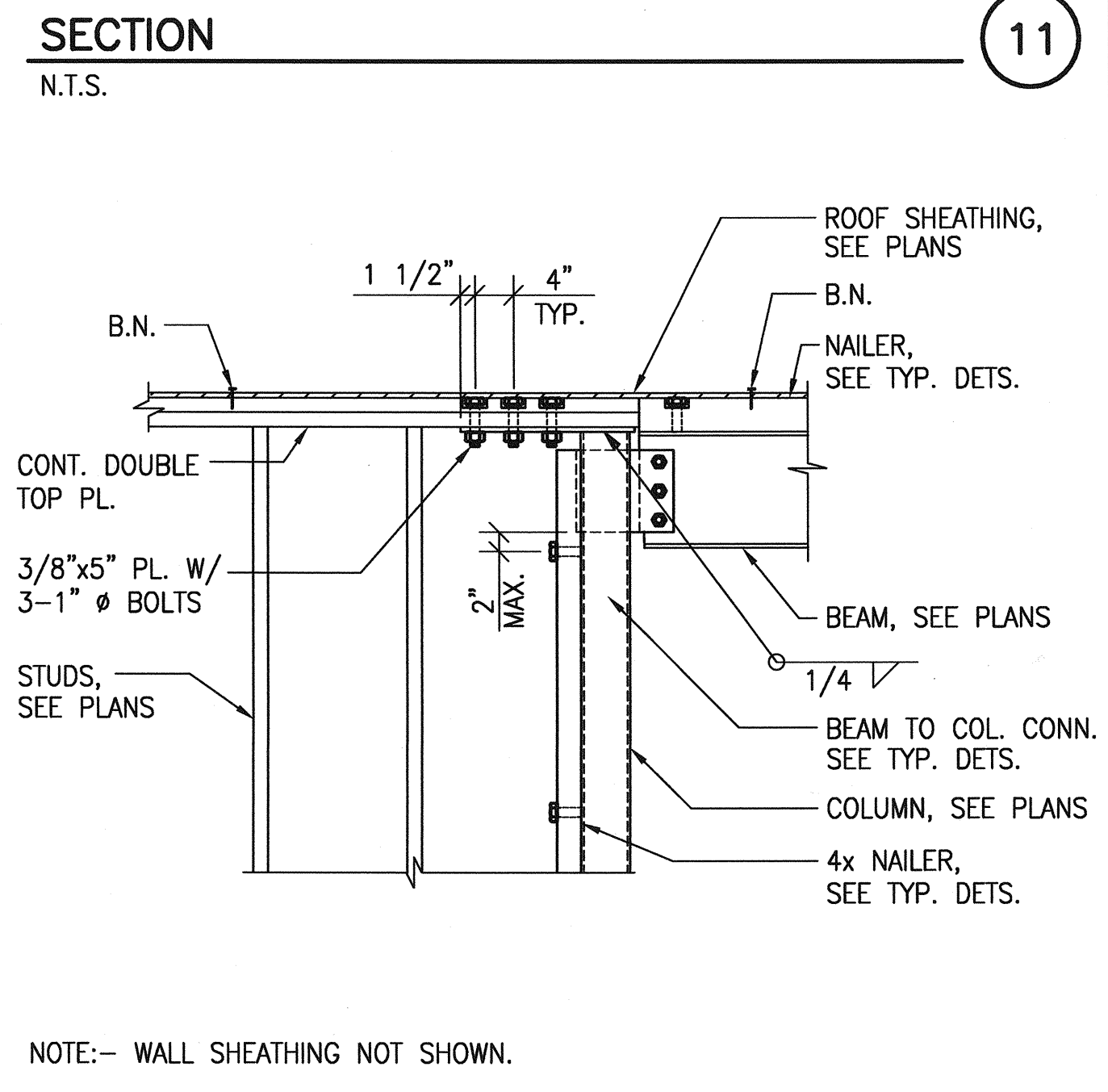
SECTION 19
N.T.S.



SECTION 18
N.T.S.



SECTION 17
N.T.S.



SECTION 16
N.T.S.

ORDIZ MELBY
ARCHITECTS, INC.
5500 MING AVENUE SUITE 280
BAKERSFIELD, CALIFORNIA 93309
TELEPHONE (661) 832-5258
FACSIMILE (661) 832-4291

REGISTERED ARCHITECT
No. C-14728
MAY 31, 2013
STATE OF CALIFORNIA

DANNY E. ORDIZ, AIA
ARCHITECT C-14,728

WILLIAM J. MELBY, AIA
ARCHITECT C-16,835

IDENTIFICATION STAMP
DIVISION OF STATE ARCHITECT
OFFICE OF REGULATION SERVICES

APPL. # 02-112027
FILE # 15-6

AC FLS SS
DATE JAN 20 2012

PTN # 63321-112

MARTIN & ASSOCIATES
JOHN A. MARTIN
Structural Engineers
2929 The Old Road, Ste. 318
Stevenage Ranch, Ca. 91381
Phone (661) 260-2646
Fax (661) 260-2649
JAMA JOB #13145

REGISTERED PROFESSIONAL ENGINEER
No. 4483
MAY 31, 2013
STATE OF CALIFORNIA

NEW ELEMENTARY SCHOOL
9801 HIGHLAND KNOLLS DR.
BAKERSFIELD CALIFORNIA 93306

NEW MIDDLE SCHOOL
4115 VINELAND ROAD
BAKERSFIELD CALIFORNIA 93306

FOR:
BAKERSFIELD CITY SCHOOL DISTRICT

1300 BAKER STREET
BAKERSFIELD CALIFORNIA 93305

MARK	DATE	DESCRIPTION
△		
△		
△		
△		

JOB NUMBER: 20101244
CAL DRAWING FILE:

DRAWN BY: MDC
CHECKED BY: RH

CHECK AND VERIFY ALL DIMENSIONS BEFORE PROCEEDING WITH THE WORK. REPORT DISCREPANCIES TO THE ARCHITECT.

THE DRAWINGS, IDEAS AND DESIGNS REPRESENTED ON THIS SHEET ARE THE PROPERTY OF THE ARCHITECT.

COPYRIGHT © ORDIZ MELBY ARCHITECTS, INC. 2010

SHEET TITLE

SECTIONS & DETAILS