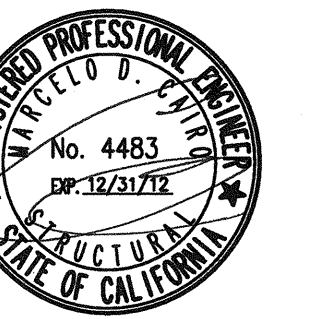


*Danny E. Ordiz*  
DANNY E. ORDIZ, AIA  
ARCHITECT C-14728  
WILLIAM J. MELBY, AIA  
ARCHITECT C-16835

IDENTIFICATION STAMP  
DIVISION OF STATE ARCHITECT  
OFFICE OF REGULATION SERVICES  
APPL. #: 02-112027  
FILE #: 15-6  
AC \_\_\_\_\_ FLS \_\_\_\_\_ SS \_\_\_\_\_  
DATE 11/18/12  
PTN # 63321-112

**MARTIN & ASSOCIATES**  
JOHN A. MARTIN & ASSOCIATES  
Structural Engineers  
2928 The Old Road, Ste. 316  
Sewards Ranch, Ca. 91381  
Phone (661) 260-2646  
Fax (661) 260-2649  
JAMA JOB #13145



**NEW ELEMENTARY SCHOOL**  
9801 HIGHLAND KNOLLS DR.  
BAKERSFIELD CALIFORNIA 93306

**NEW MIDDLE SCHOOL**  
4115 VINELAND ROAD  
BAKERSFIELD CALIFORNIA 93306

**FOR: BAKERSFIELD CITY SCHOOL DISTRICT**

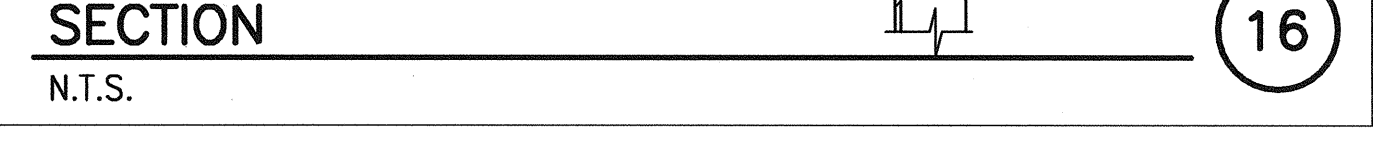
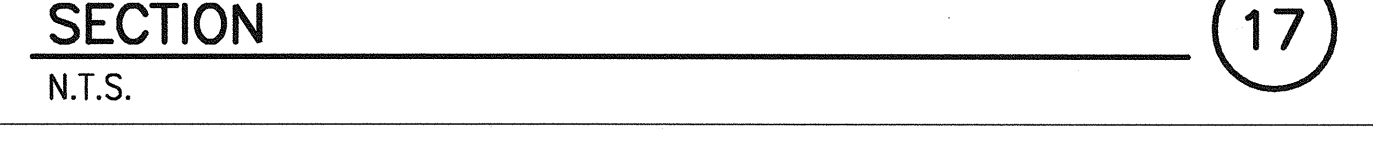
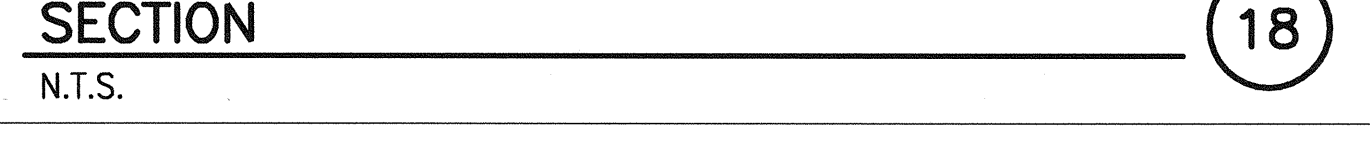
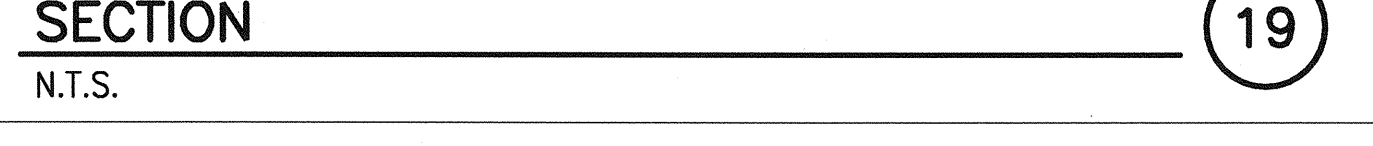
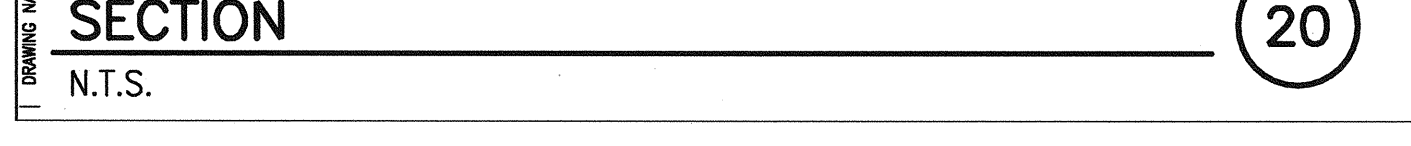
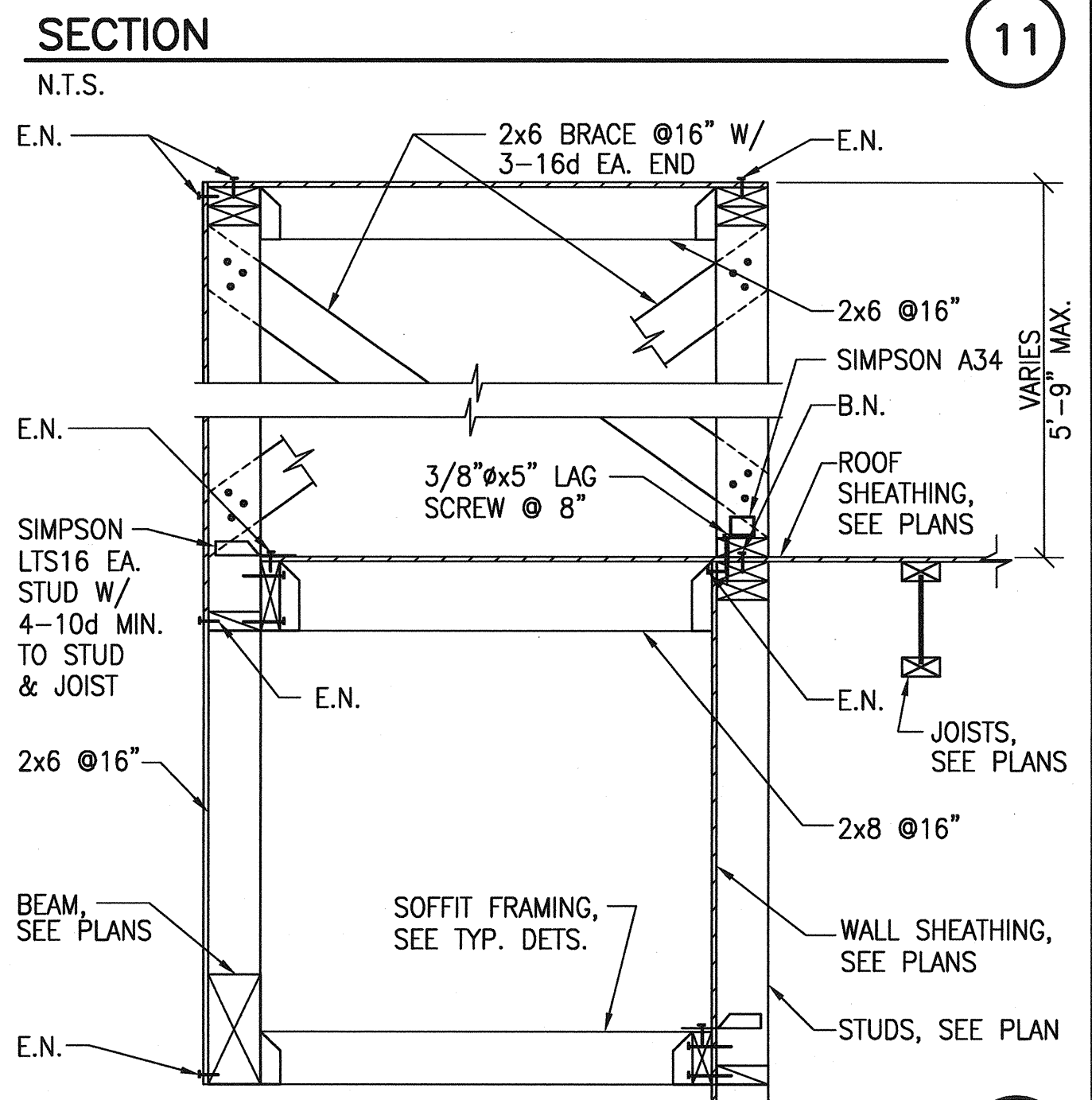
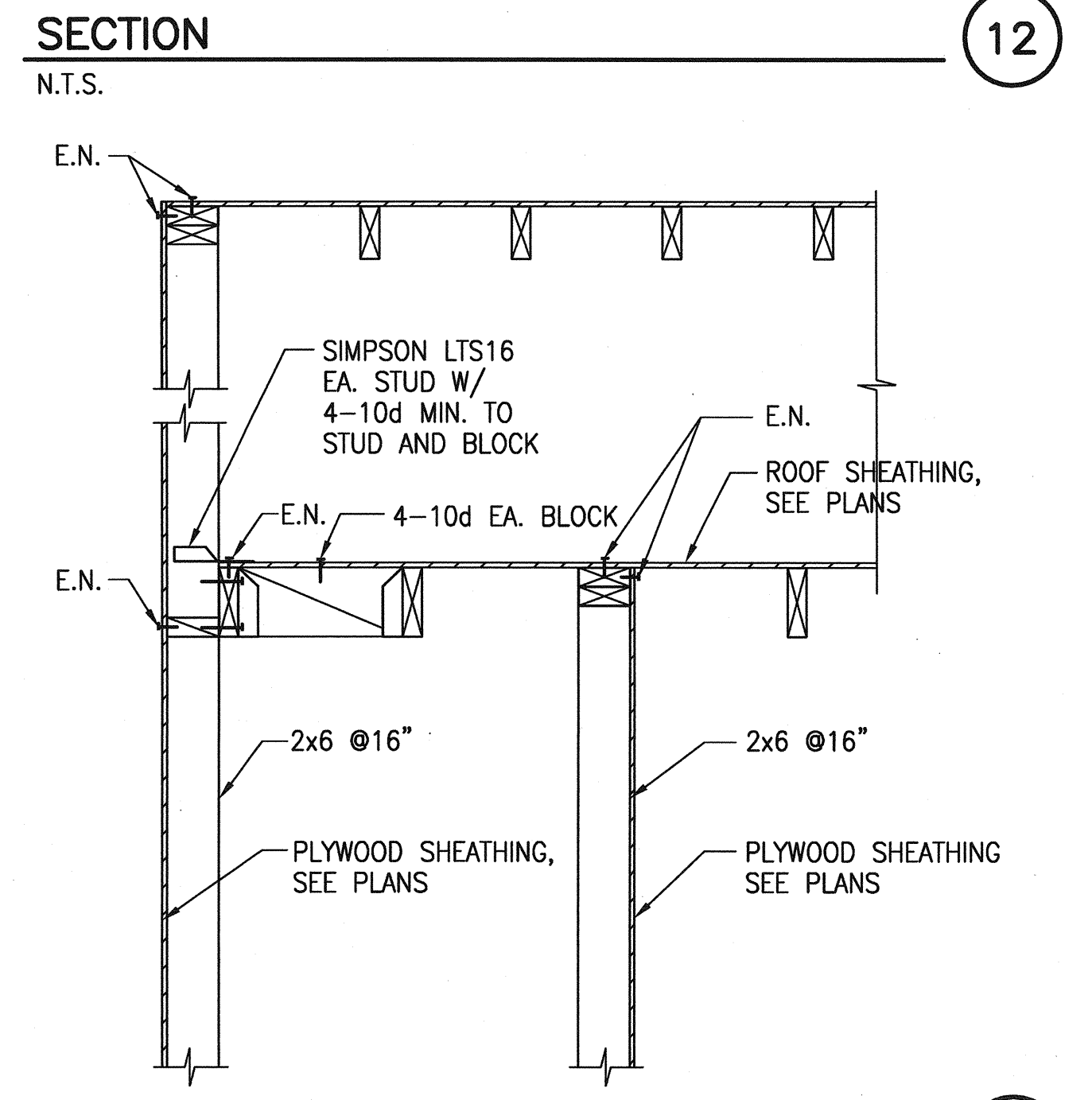
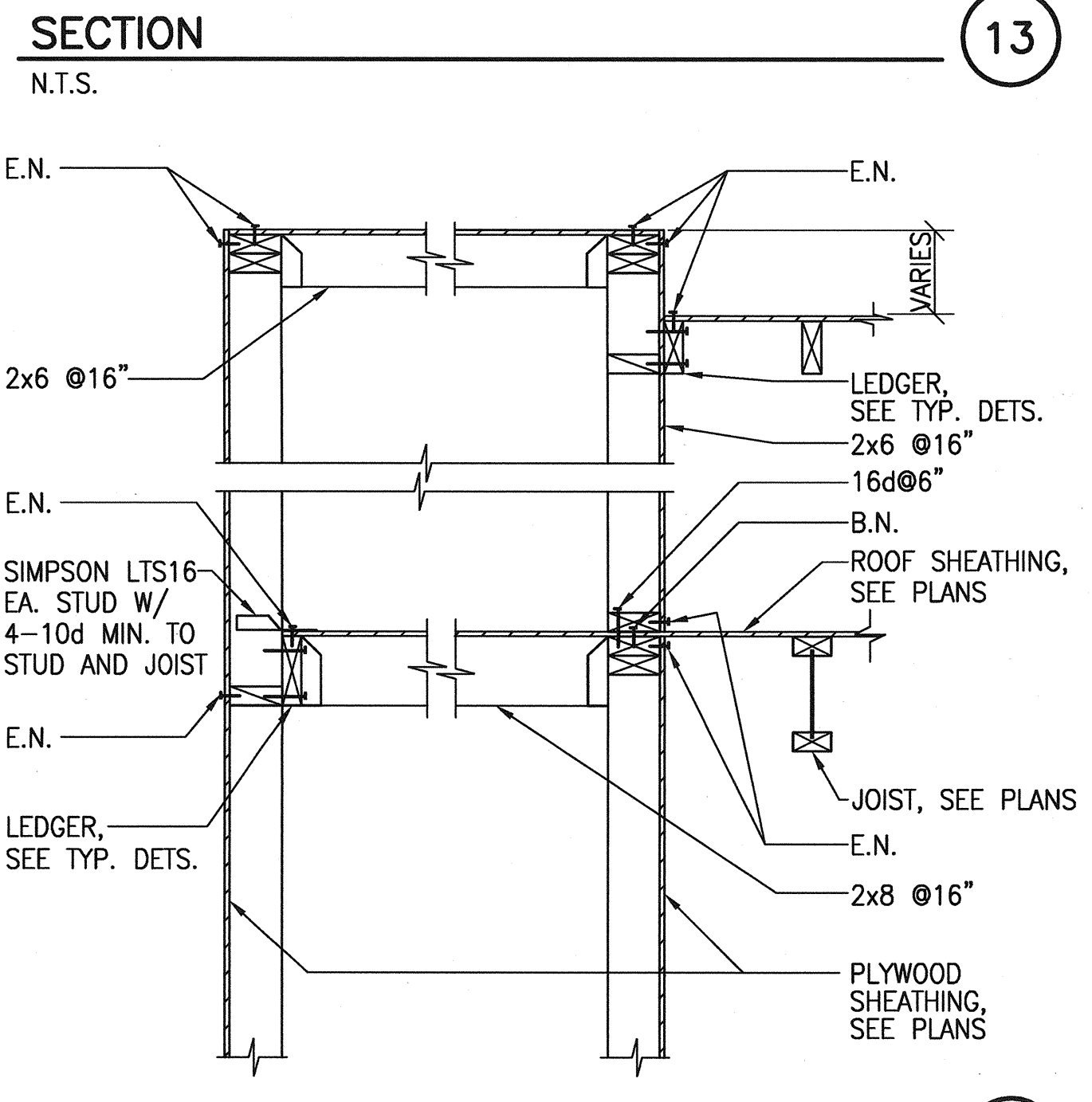
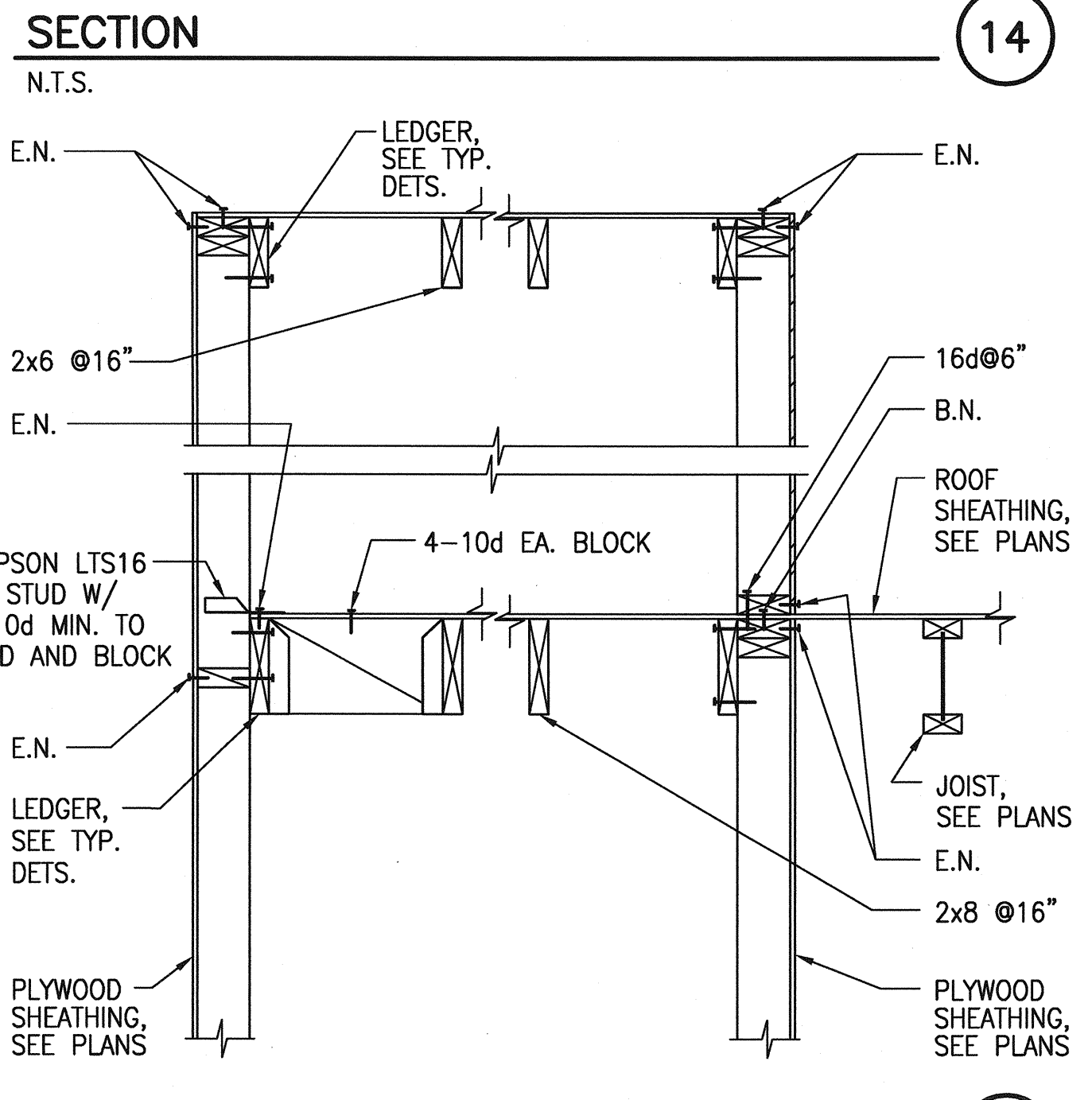
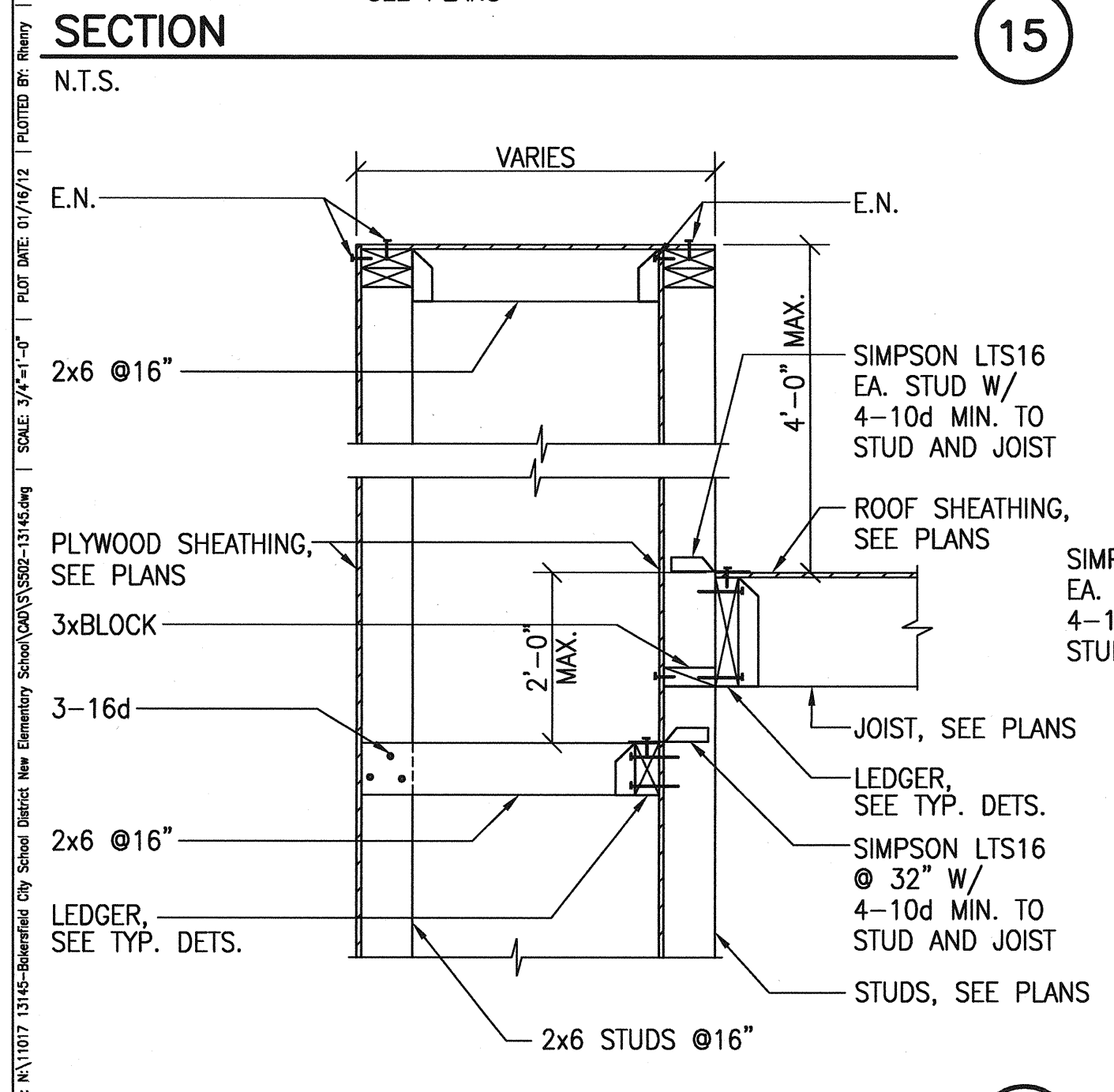
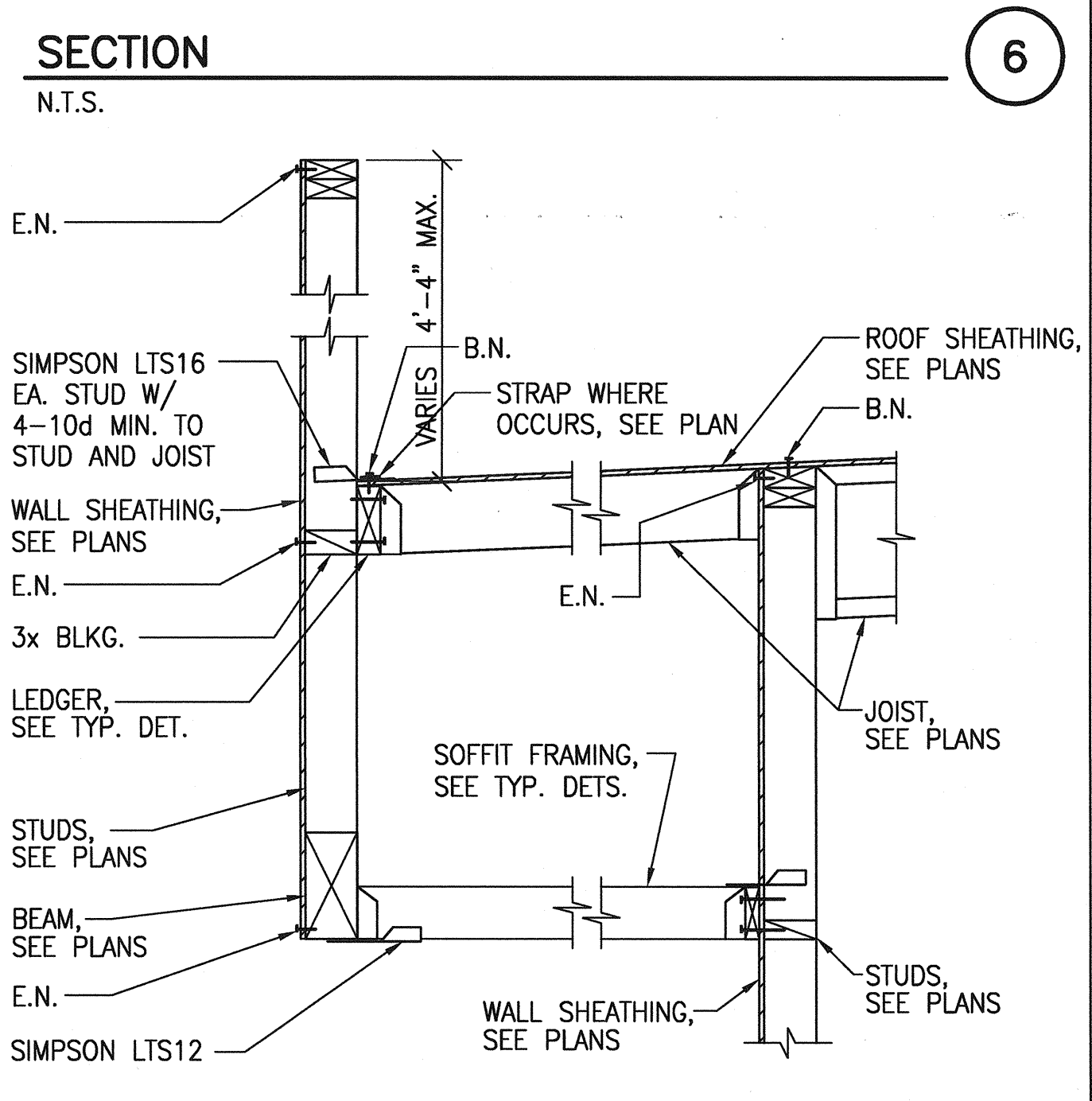
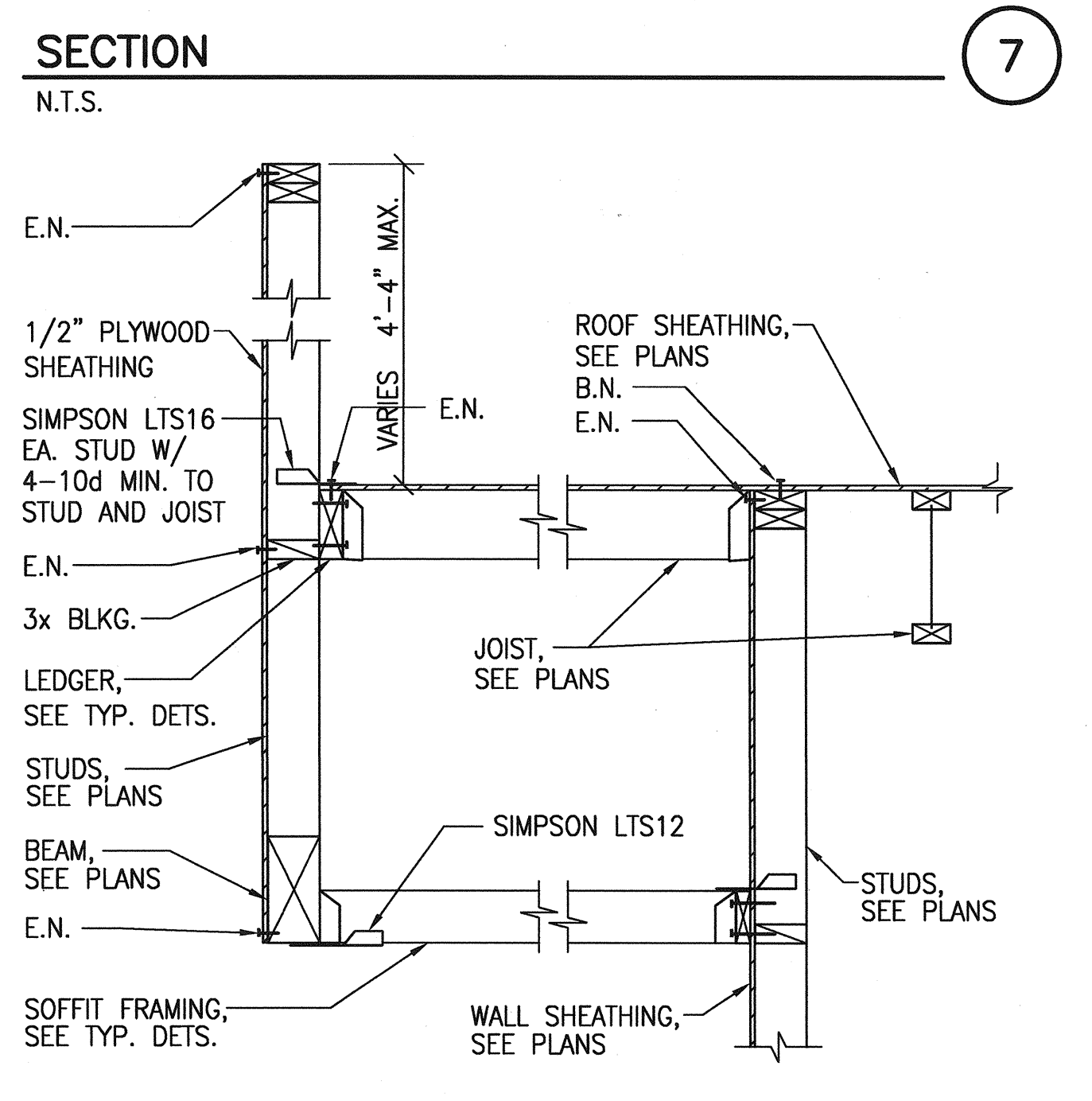
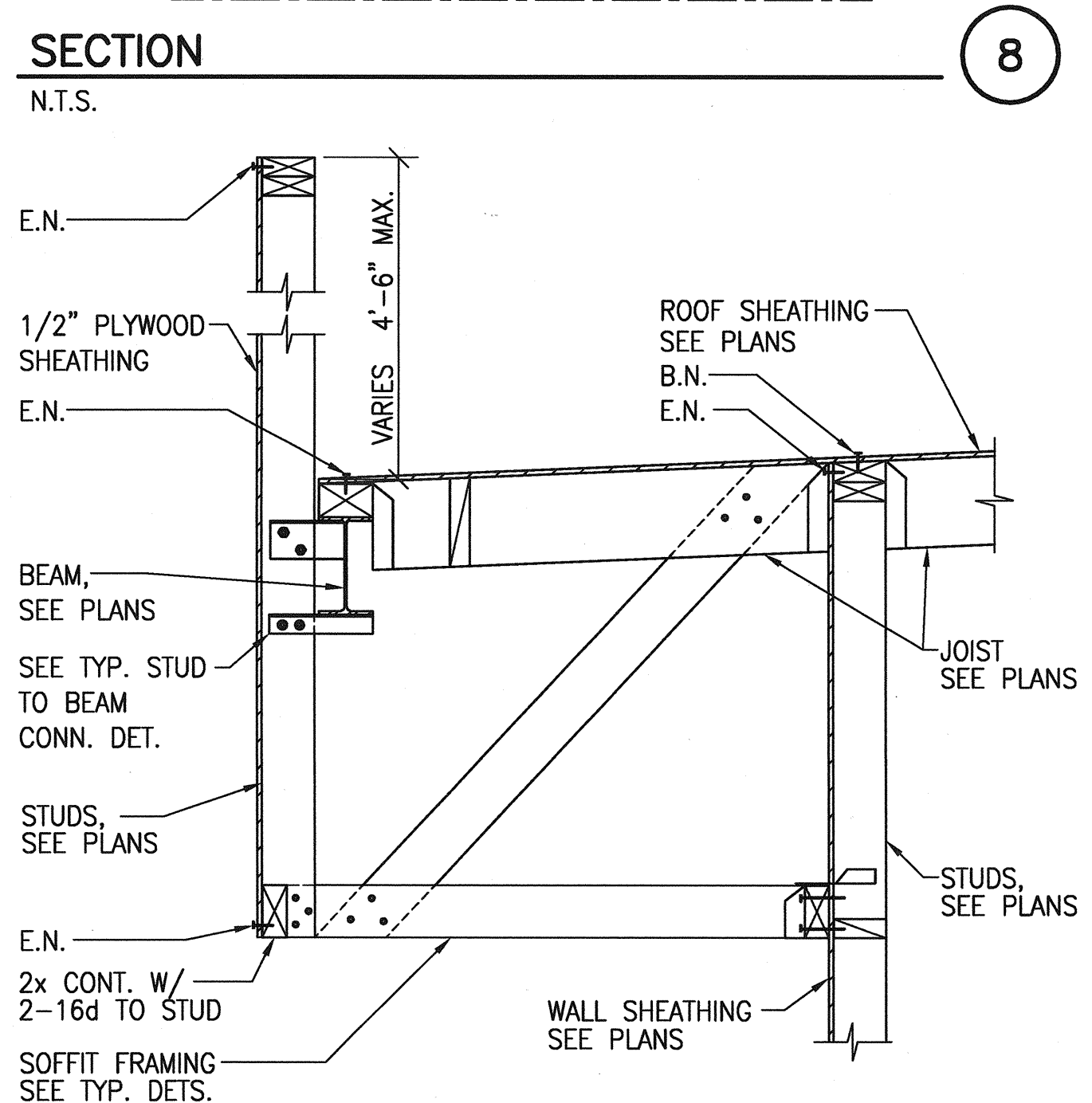
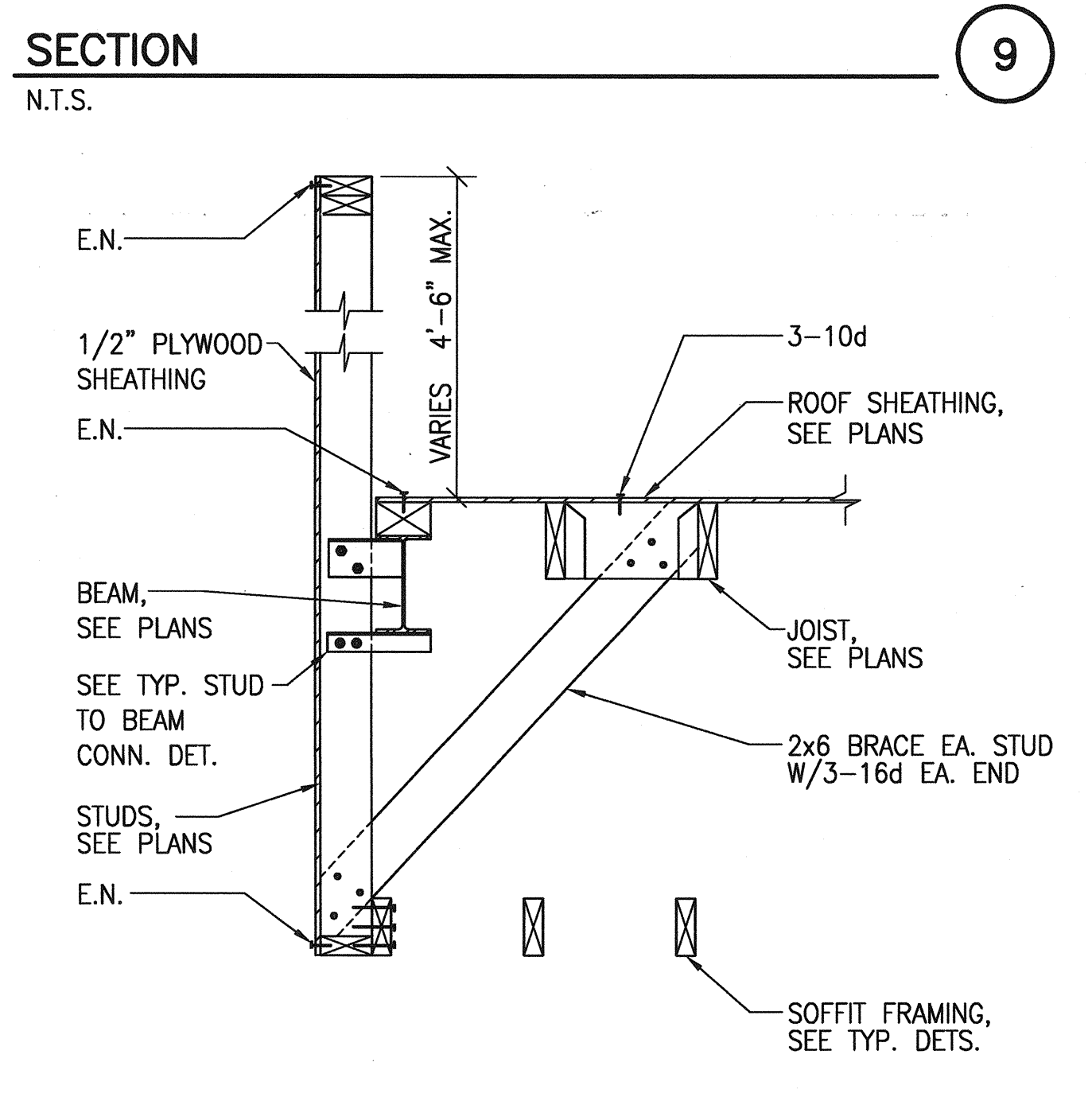
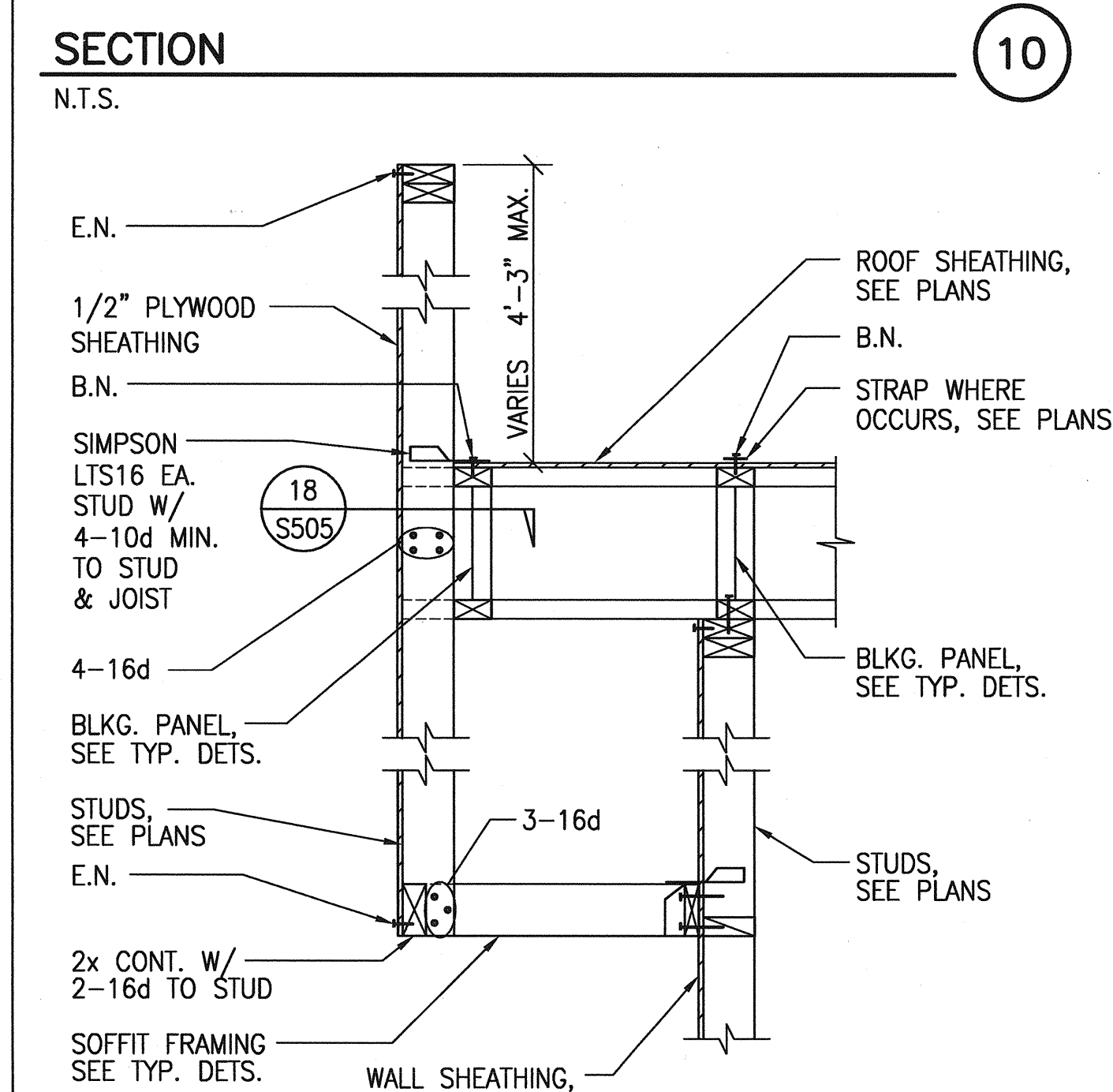
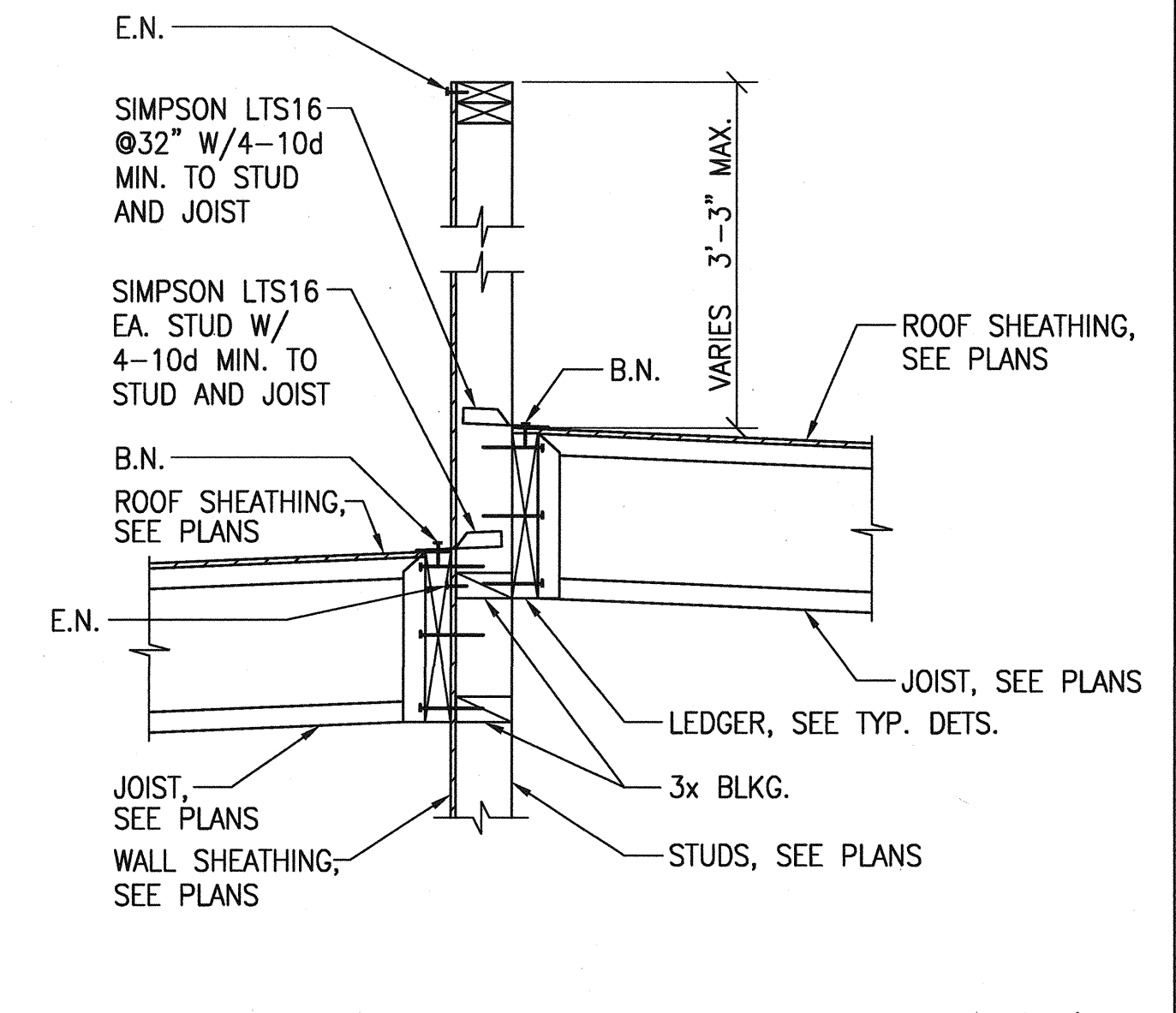
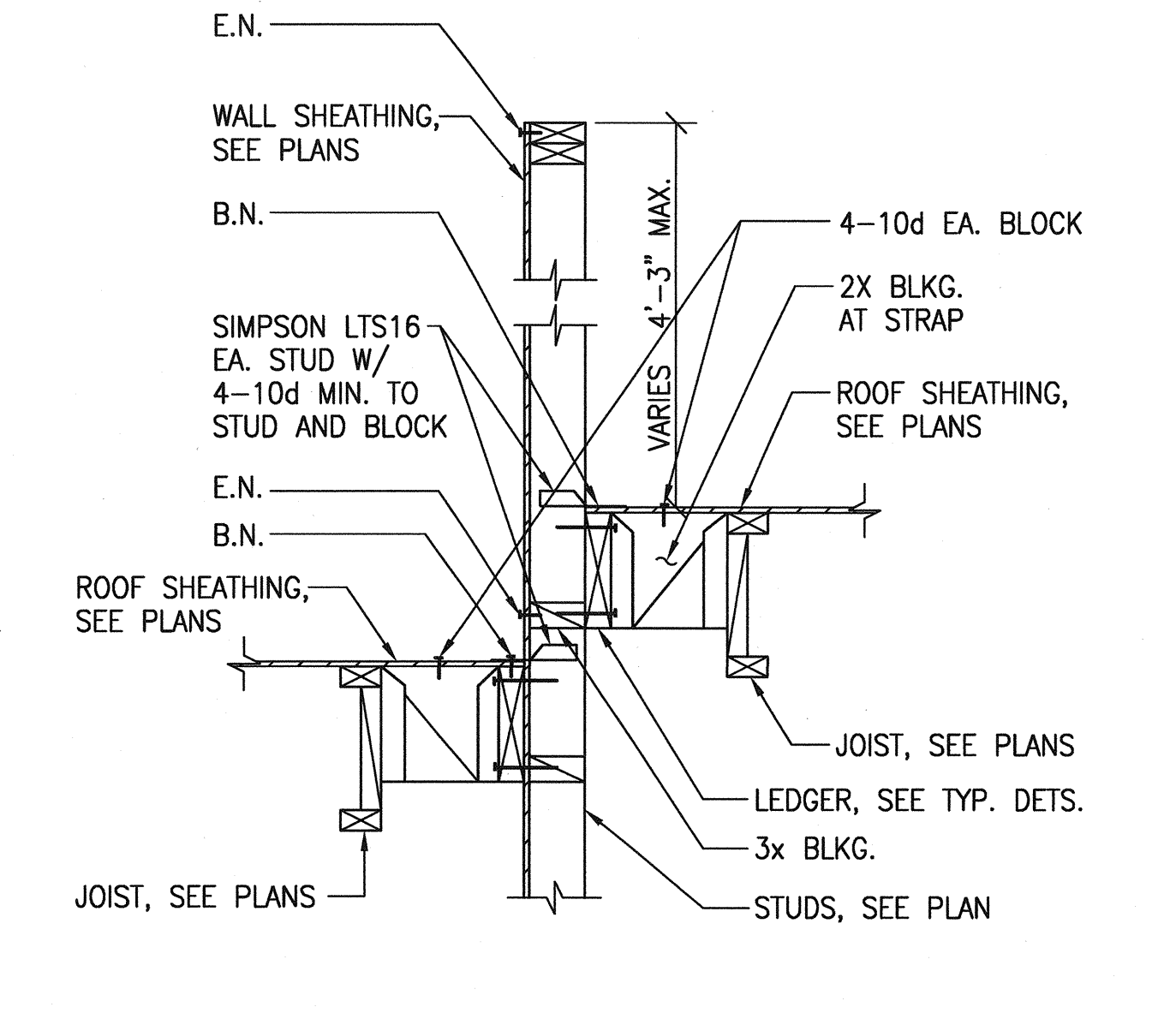
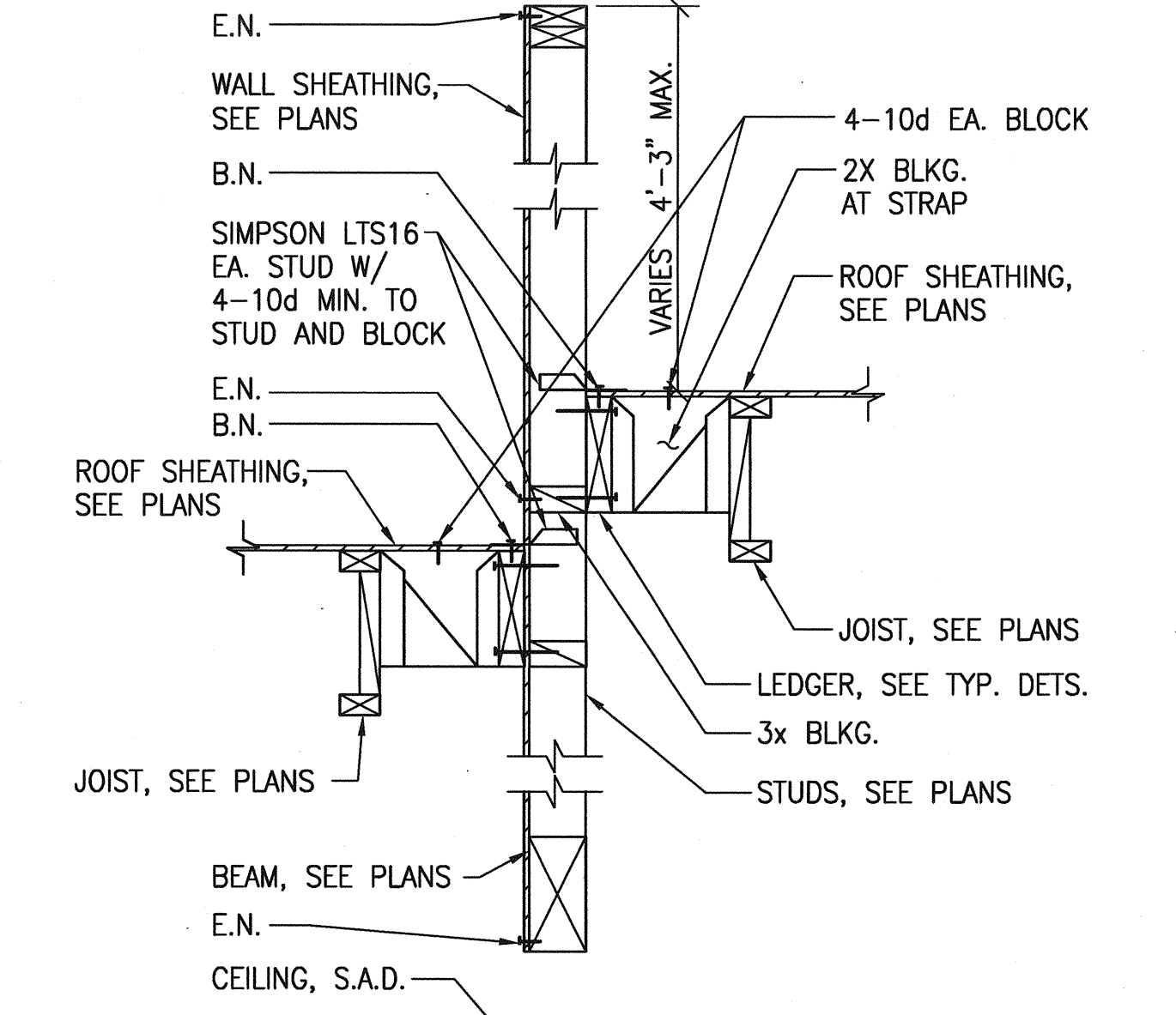
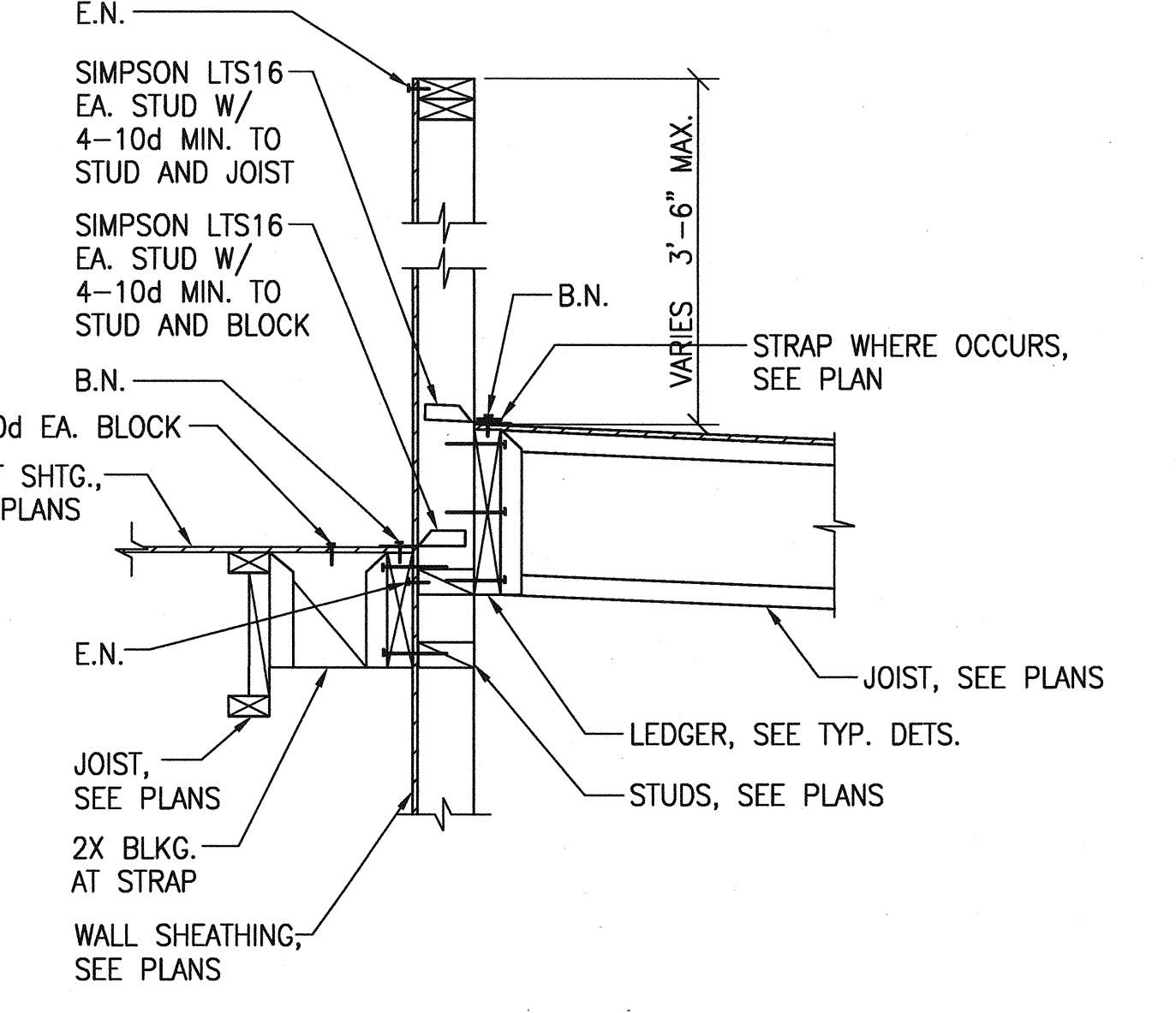
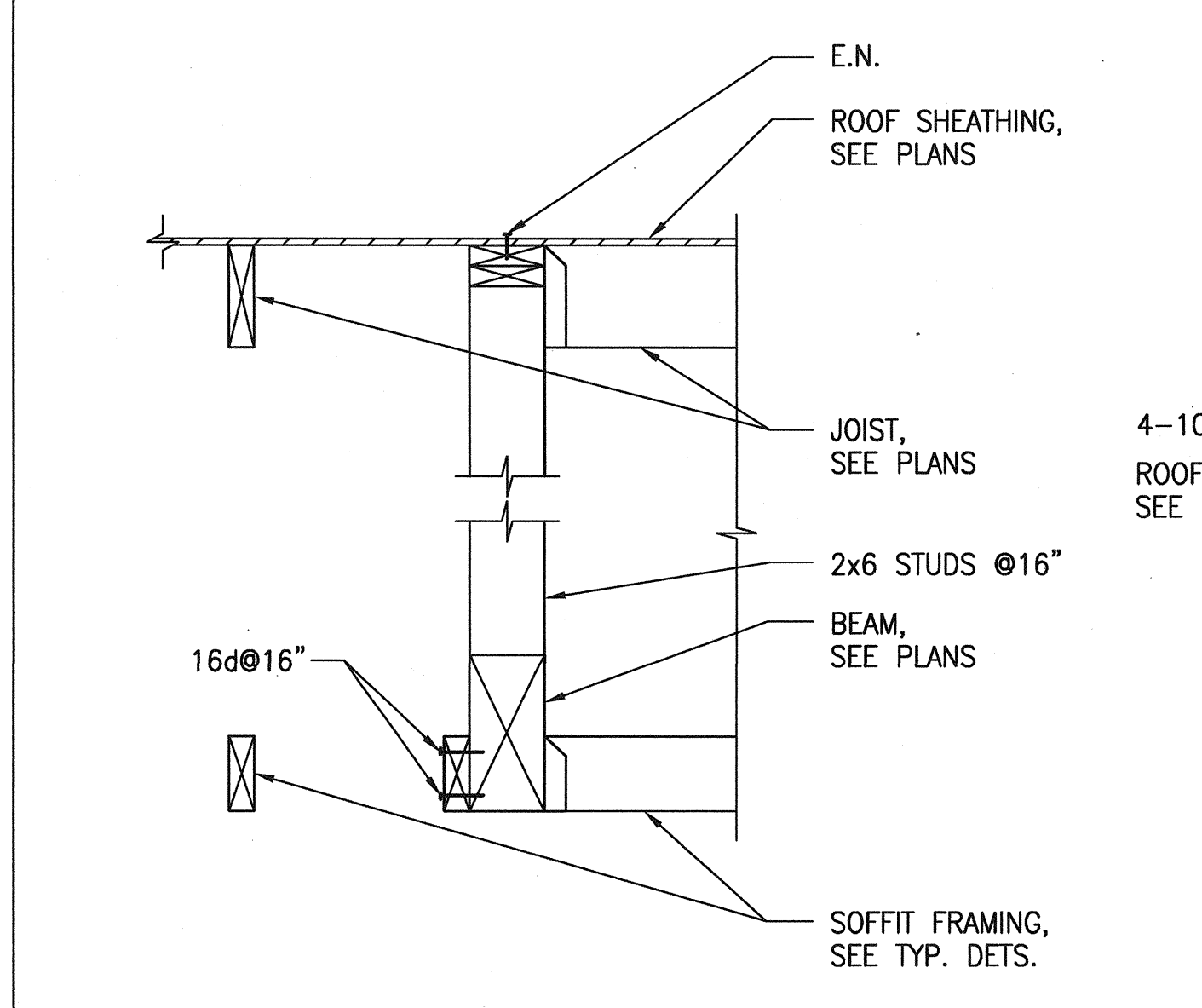
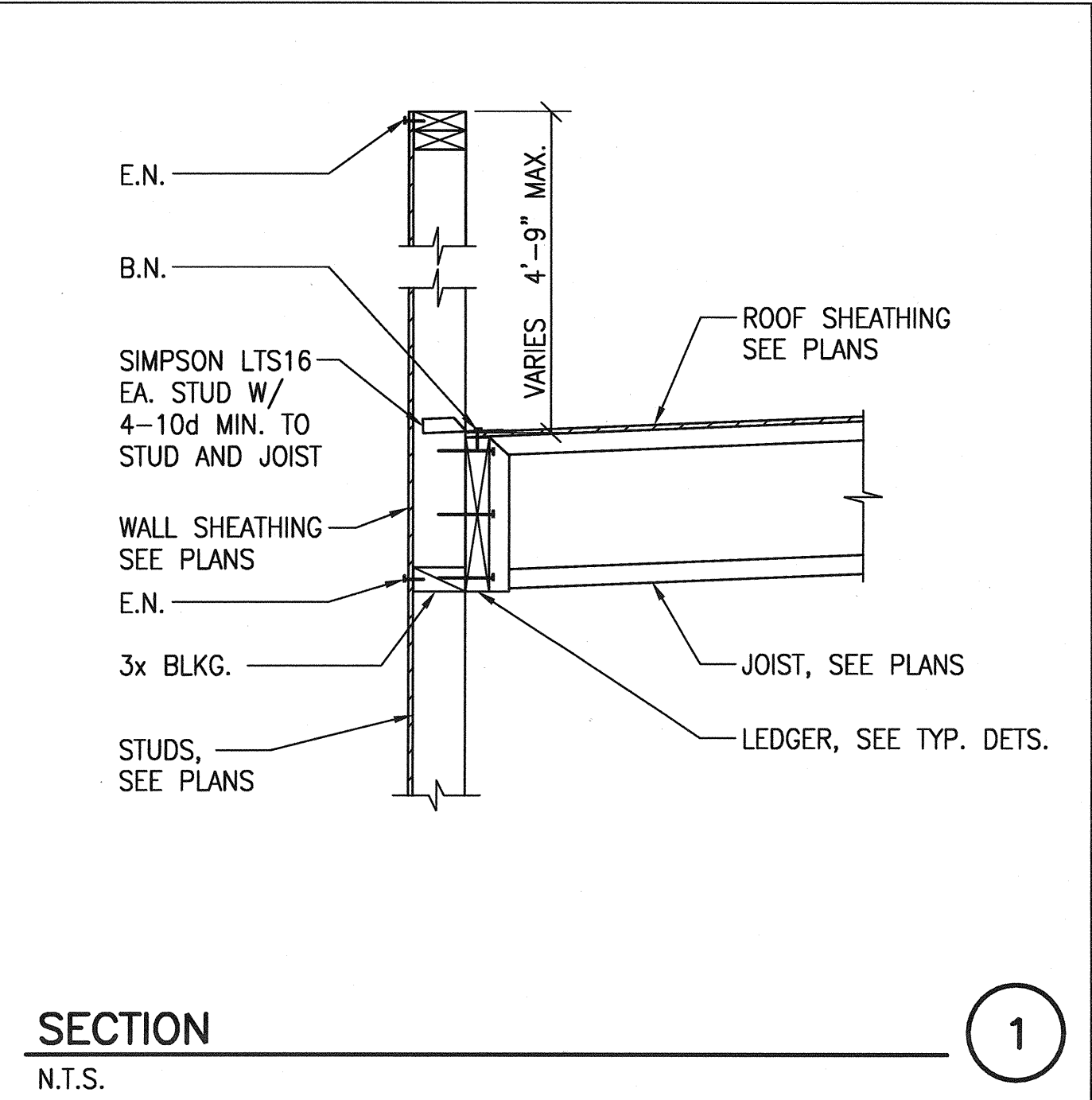
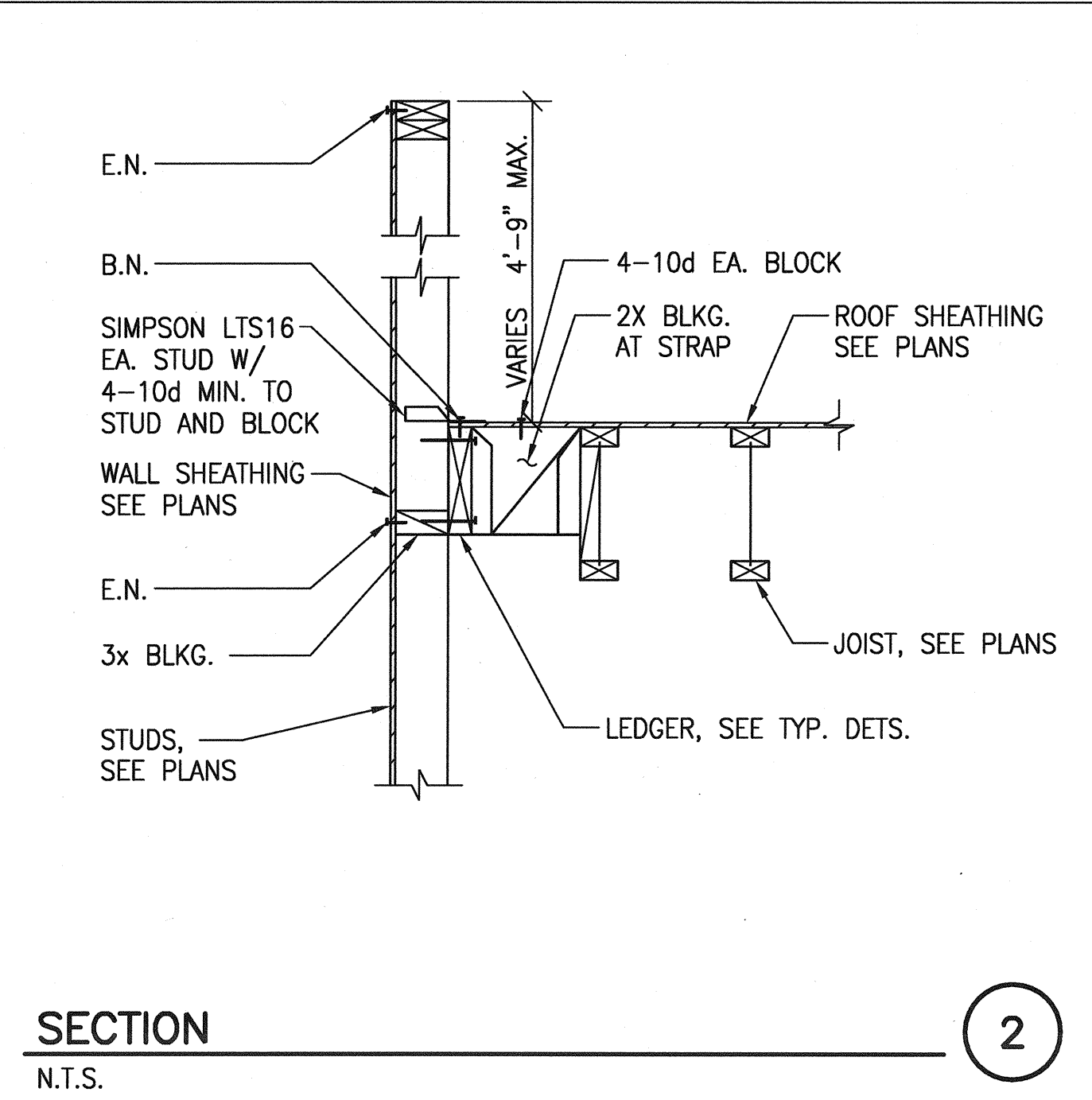
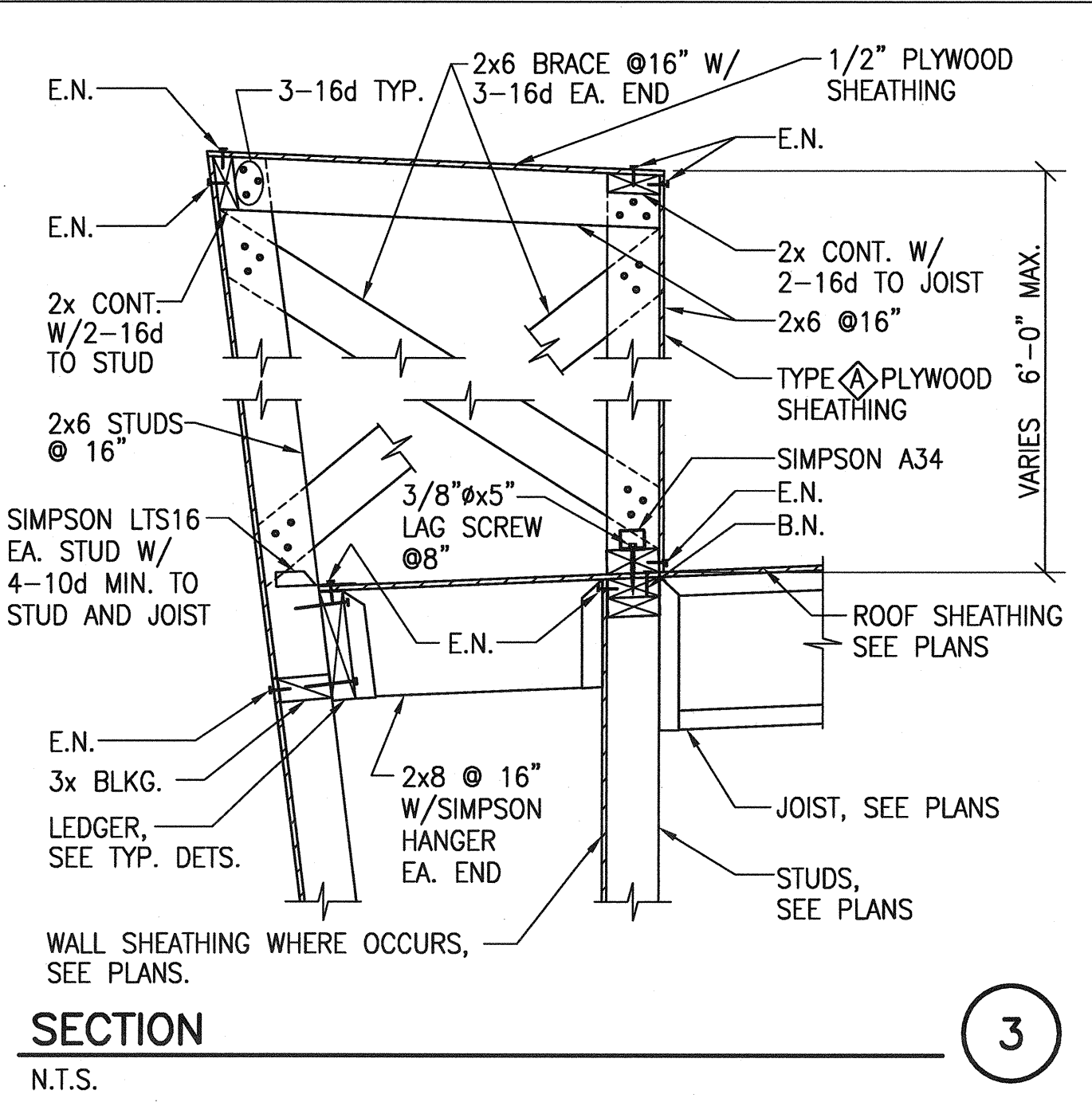
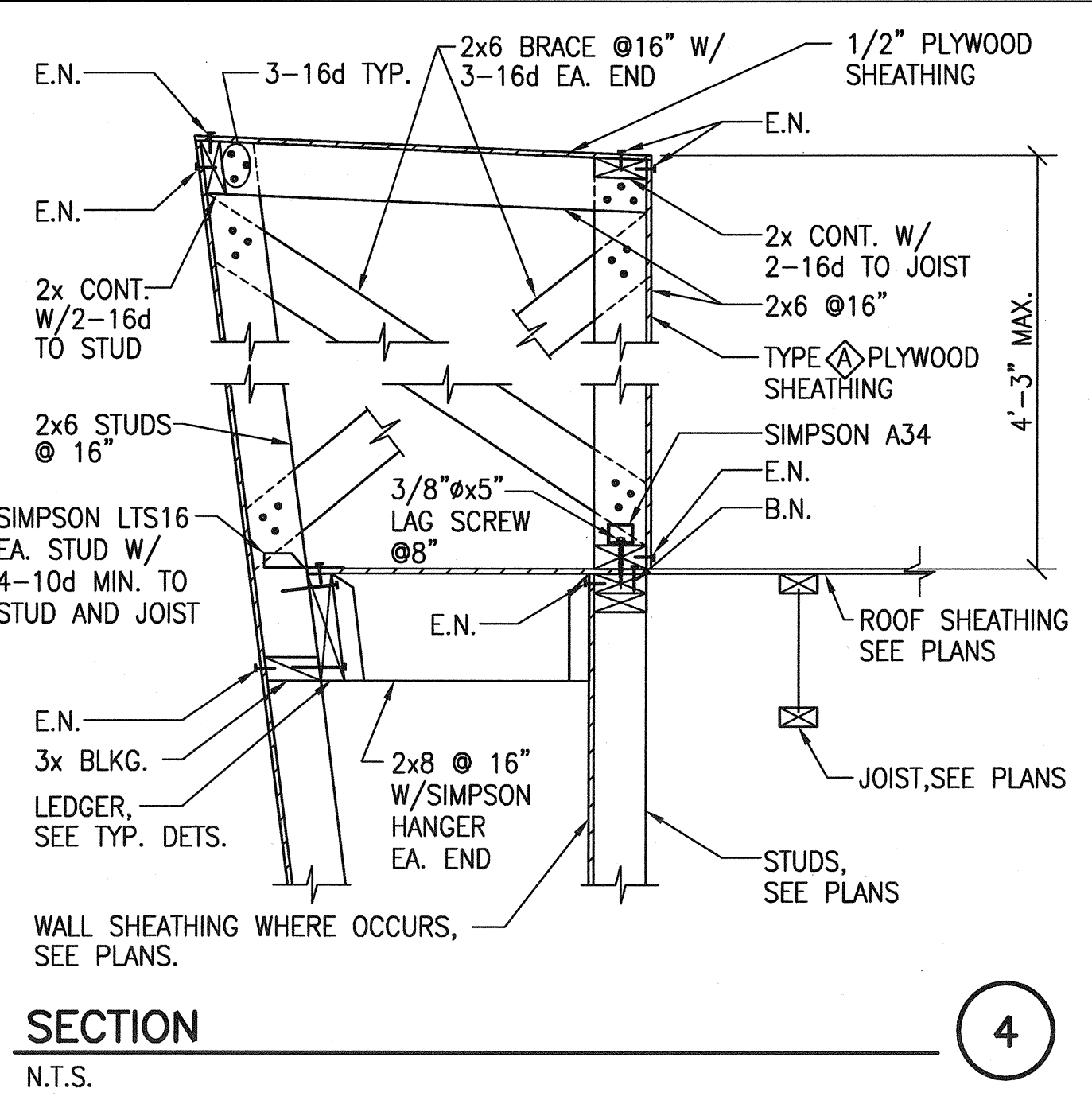
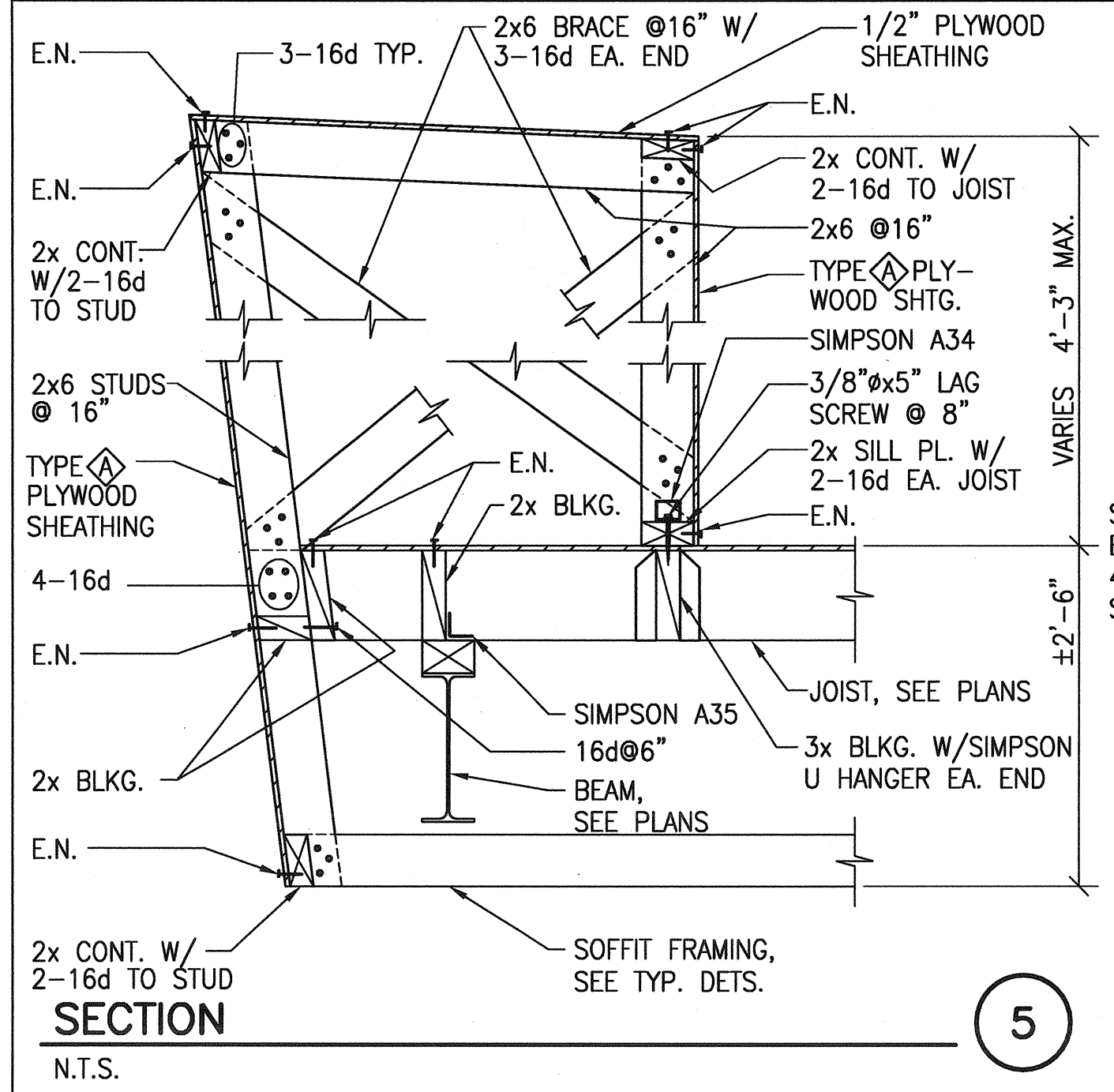
1300 BAKER STREET  
BAKERSFIELD CALIFORNIA 93305

MARK	DATE	DESCRIPTION
△		
△		
△		

JOB NUMBER: 20101244  
CAD DRAWING FILE:  
DRAWN BY: MDC  
CHECKED BY: RHC  
CHECK AND VERIFY ALL DIMENSIONS BEFORE PROCEEDING WITH THE WORK. REPORT DISCREPANCIES TO THE ARCHITECT.  
THE DRAWINGS, IDEAS, AND DESIGNS REPRESENTED ON THIS SHEET ARE THE PROPERTY OF THE ARCHITECT.  
COPYRIGHT © ORDIZ MELBY ARCHITECTS, INC. 2010  
SHEET TITLE

**SECTIONS & DETAILS**

SHEET IDENTIFICATION NUMBER  
**S502**



DATE: 11/18/12  
 DRAWN BY: MDC  
 CHECKED BY: RHC  
 PROJECT: NEW MIDDLE SCHOOL  
 SHEET: SECTIONS & DETAILS  
 SHEET NO.: S502