

**ORDIZ MELBY**  
ARCHITECTS, INC.

5500 MING AVENUE SUITE 280  
BAKERSFIELD, CALIFORNIA 93309  
TELEPHONE (661) 832-5258  
FACSIMILE (661) 832-4291



*Danny E. Ordiz*  
DANNY E. ORDIZ, AIA  
ARCHITECT C-14,728  
WILLIAM J. MELBY, AIA  
ARCHITECT C-16,835

IDENTIFICATION STAMP  
DIVISION OF STATE ARCHITECT  
OFFICE OF REGULATION SERVICES  
APPL. #: 02-112027  
FILE #: 15-6  
AC. FLS. SS. JRM  
DATE 1/16/12  
PTN # 63321-112

**MARTIN & ASSOCIATES**  
JOHN A. MARTIN & ASSOCIATES  
Structural Engineers  
2929 The Old Road, Ste. 316  
Stevenson Ranch, Ca. 91381  
Phone (661) 260-2646  
Fax (661) 260-2649  
JAMA JOB #13145



**NEW ELEMENTARY SCHOOL**  
9801 HIGHLAND KNOLLS DR.  
BAKERSFIELD CALIFORNIA 93306

**NEW MIDDLE SCHOOL**  
4115 VINELAND ROAD  
BAKERSFIELD CALIFORNIA 93306

**FOR: BAKERSFIELD CITY SCHOOL DISTRICT**

1300 BAKER STREET  
BAKERSFIELD CALIFORNIA 93305

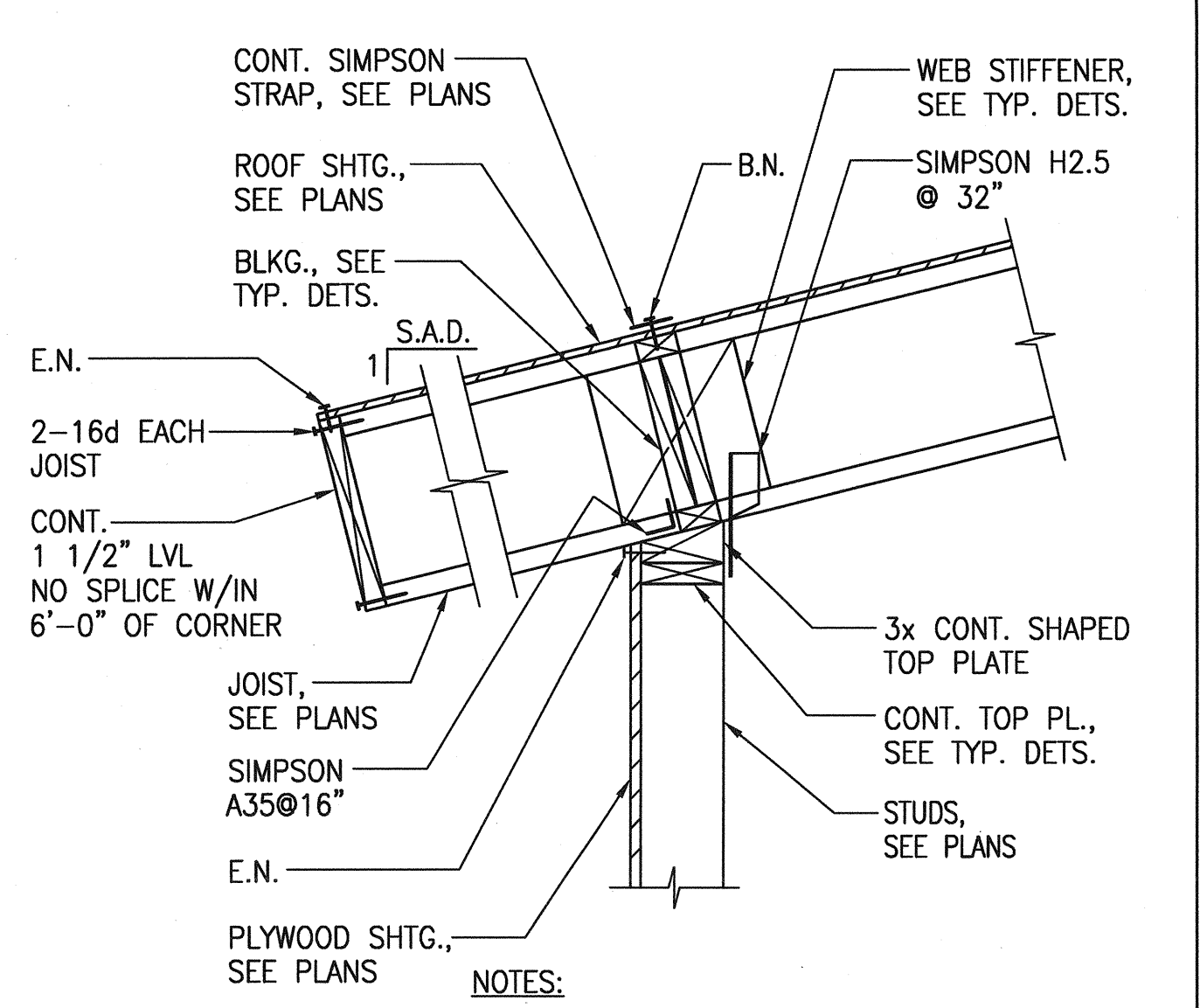
MARK	DATE	DESCRIPTION
△		
△		
△		
△		

JOB NUMBER: 20101244  
CALI DRAWING FILE:  
DRAWN BY: RH  
CHECKED BY: MDC  
CHECK AND VERIFY ALL DIMENSIONS BEFORE PROCEEDING WITH THE WORK. REPORT DISCREPANCIES TO THE ARCHITECT.  
THE DRAWINGS, IDEAS, AND DESIGNS REPRESENTED ON THIS SHEET ARE THE PROPERTY OF THE ARCHITECT.  
COPYRIGHT: ORDIZMELBY ARCHITECTS, INC. 2010  
SHEET TITLE

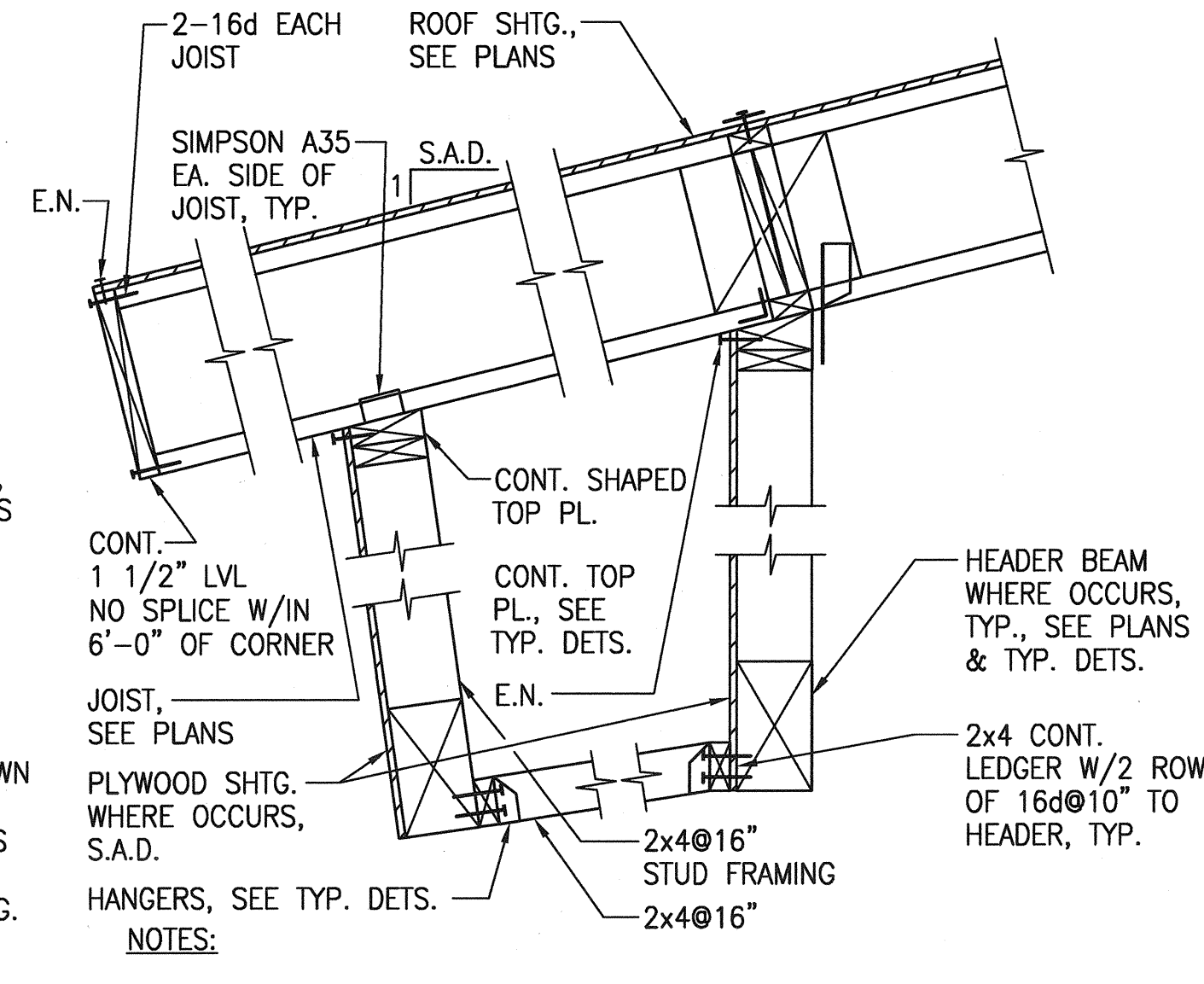
SECTIONS & DETAILS

SHEET IDENTIFICATION NUMBER

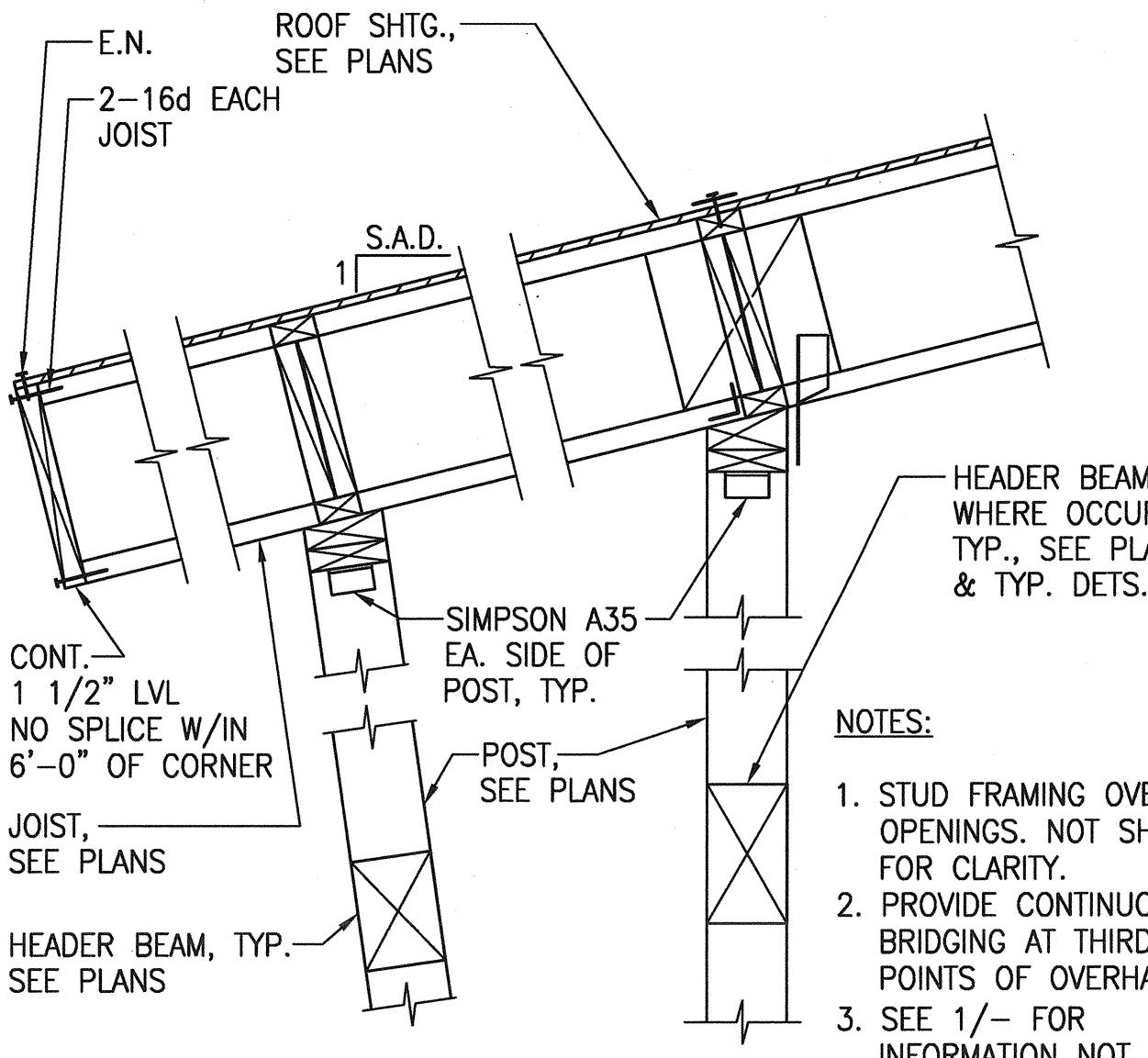
**S501**



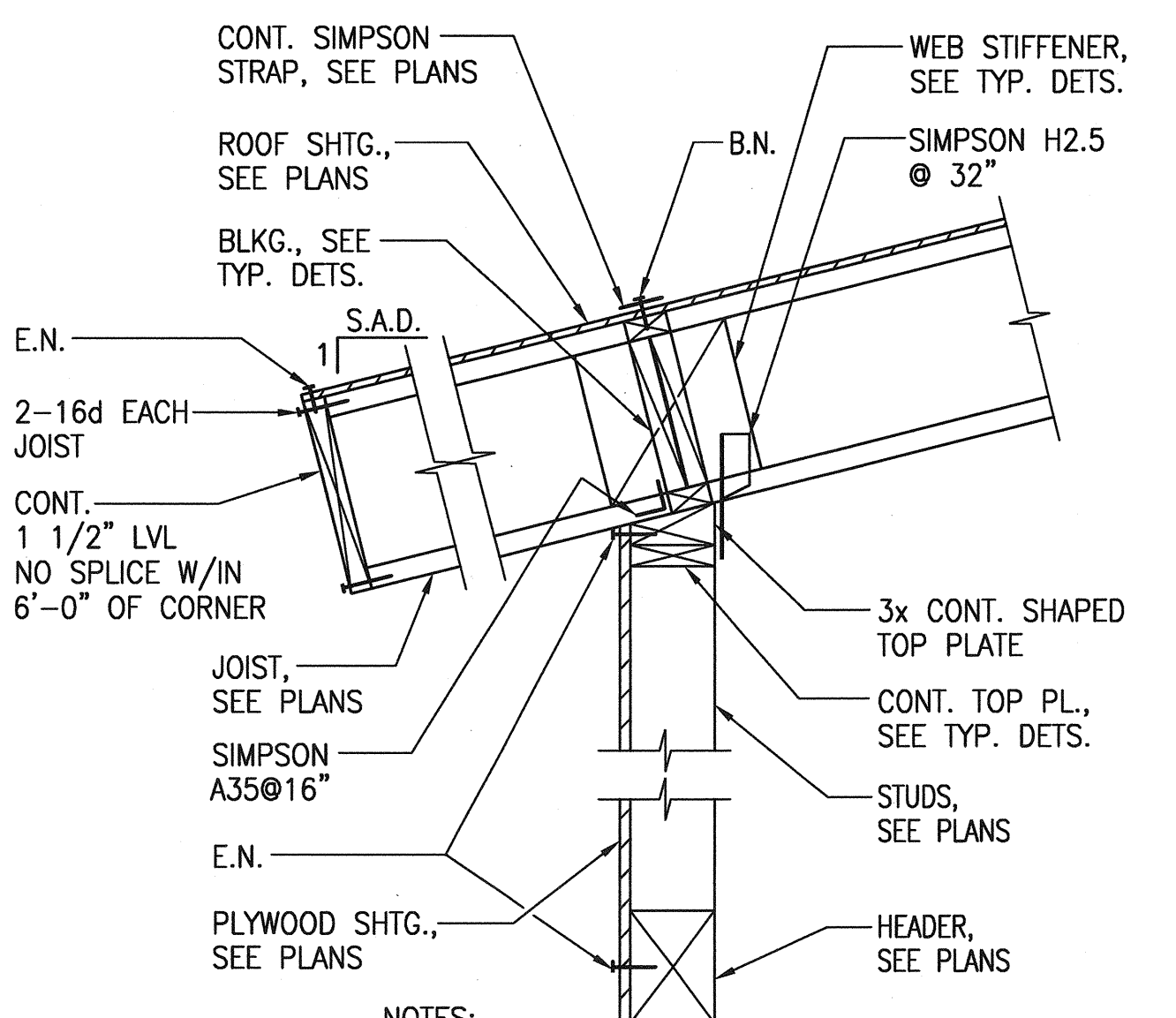
SECTION 1  
N.T.S.



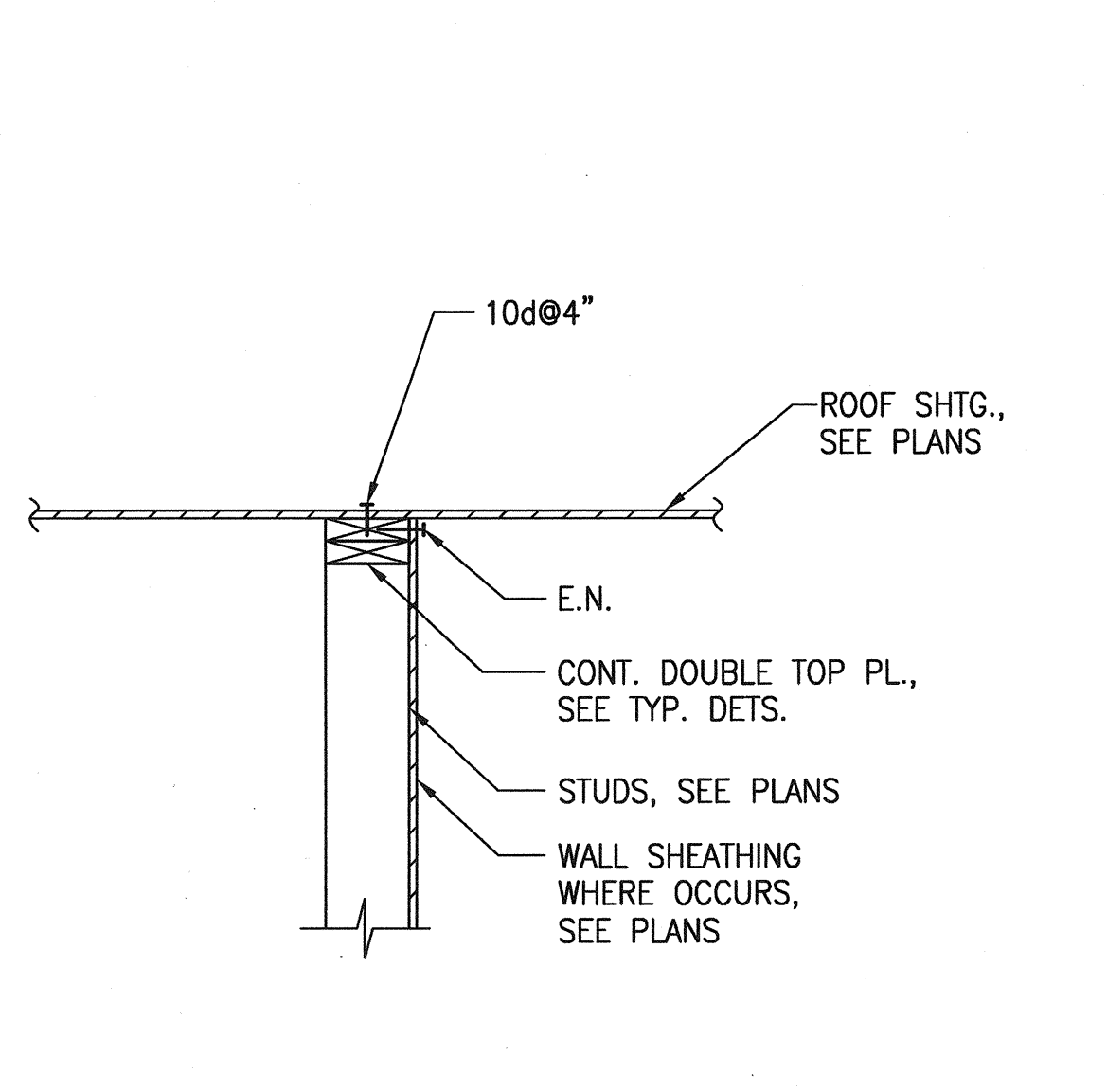
SECTION 2  
N.T.S.



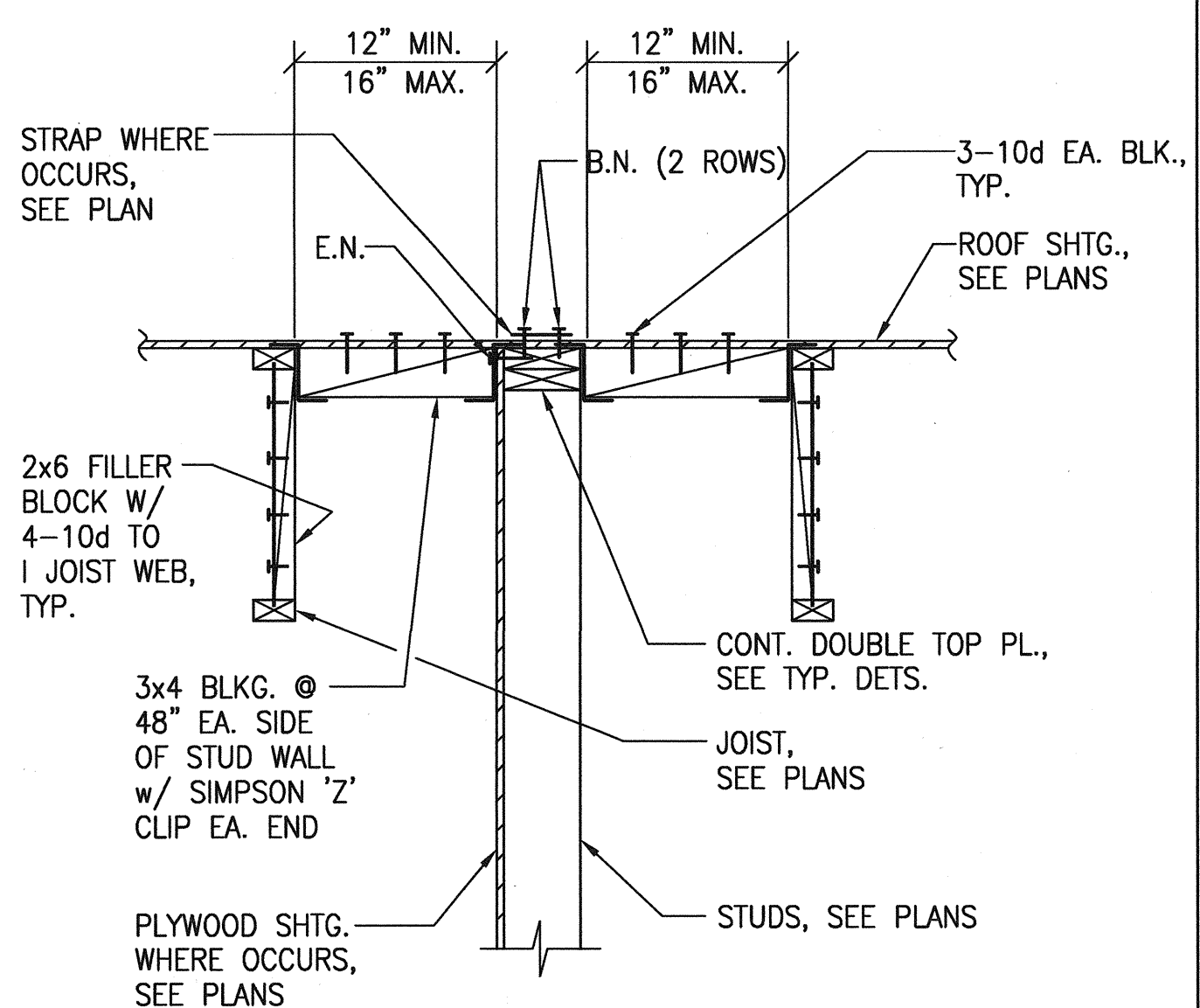
SECTION 3  
N.T.S.



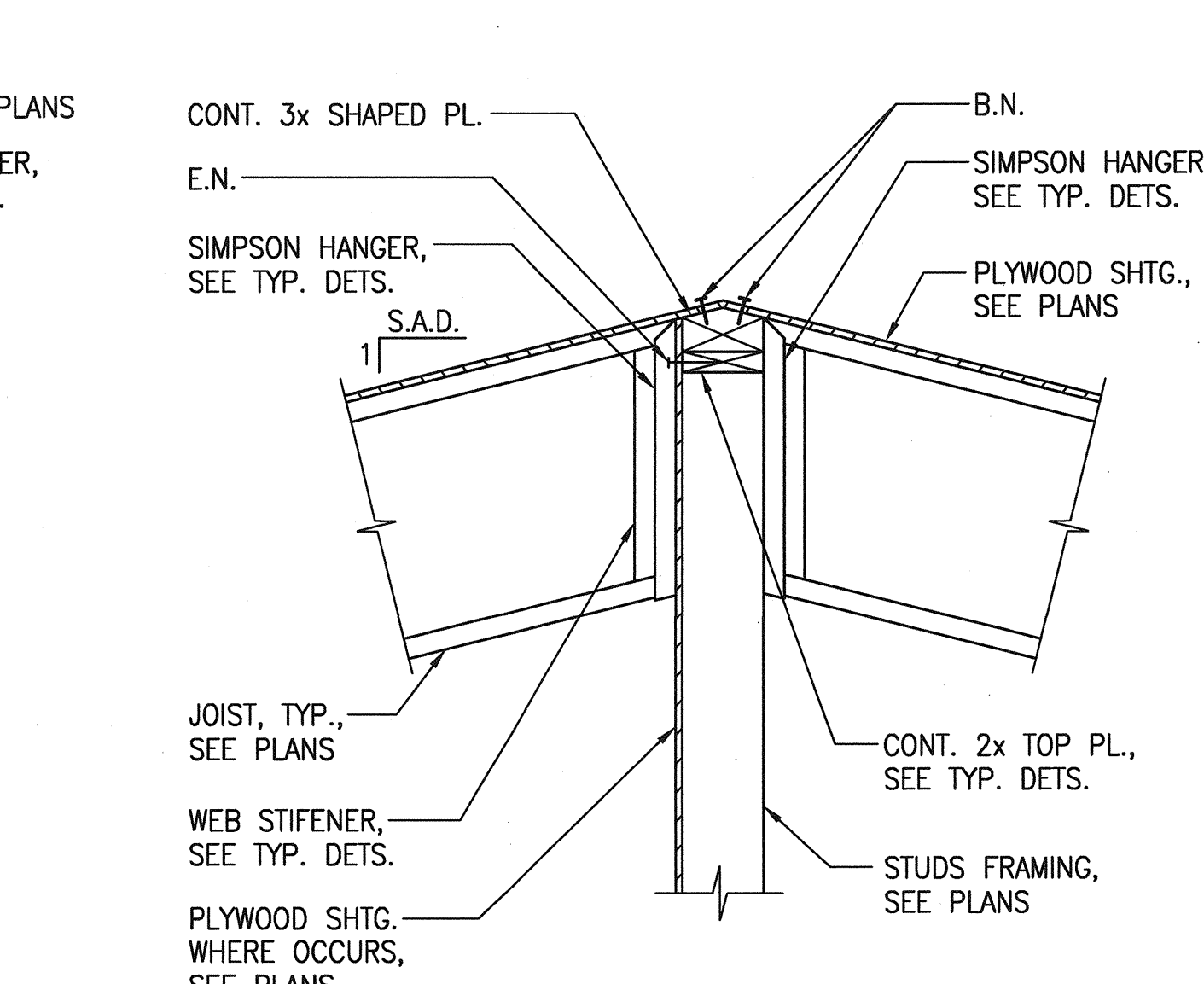
SECTION 4  
N.T.S.



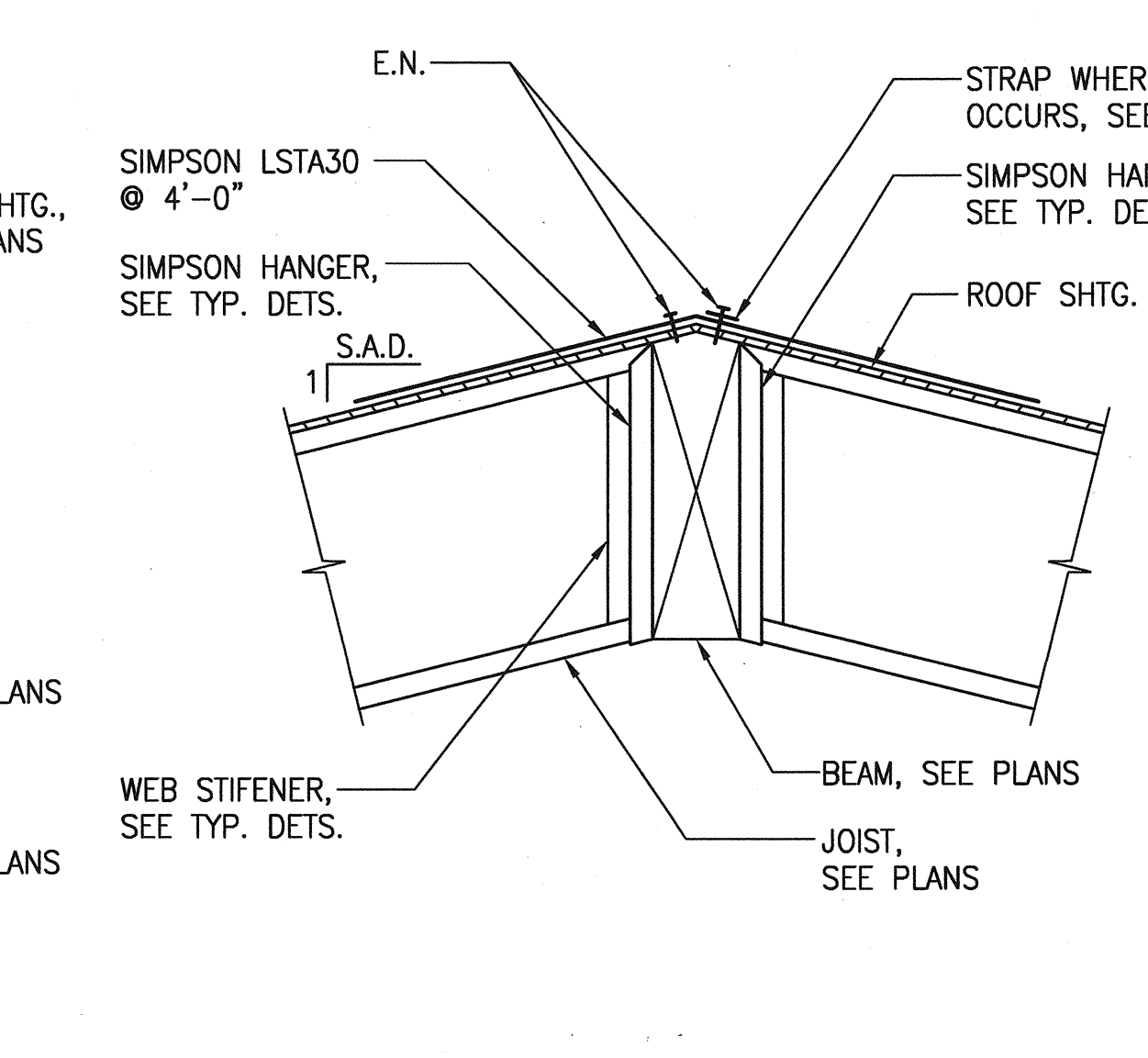
SECTION 5  
N.T.S.



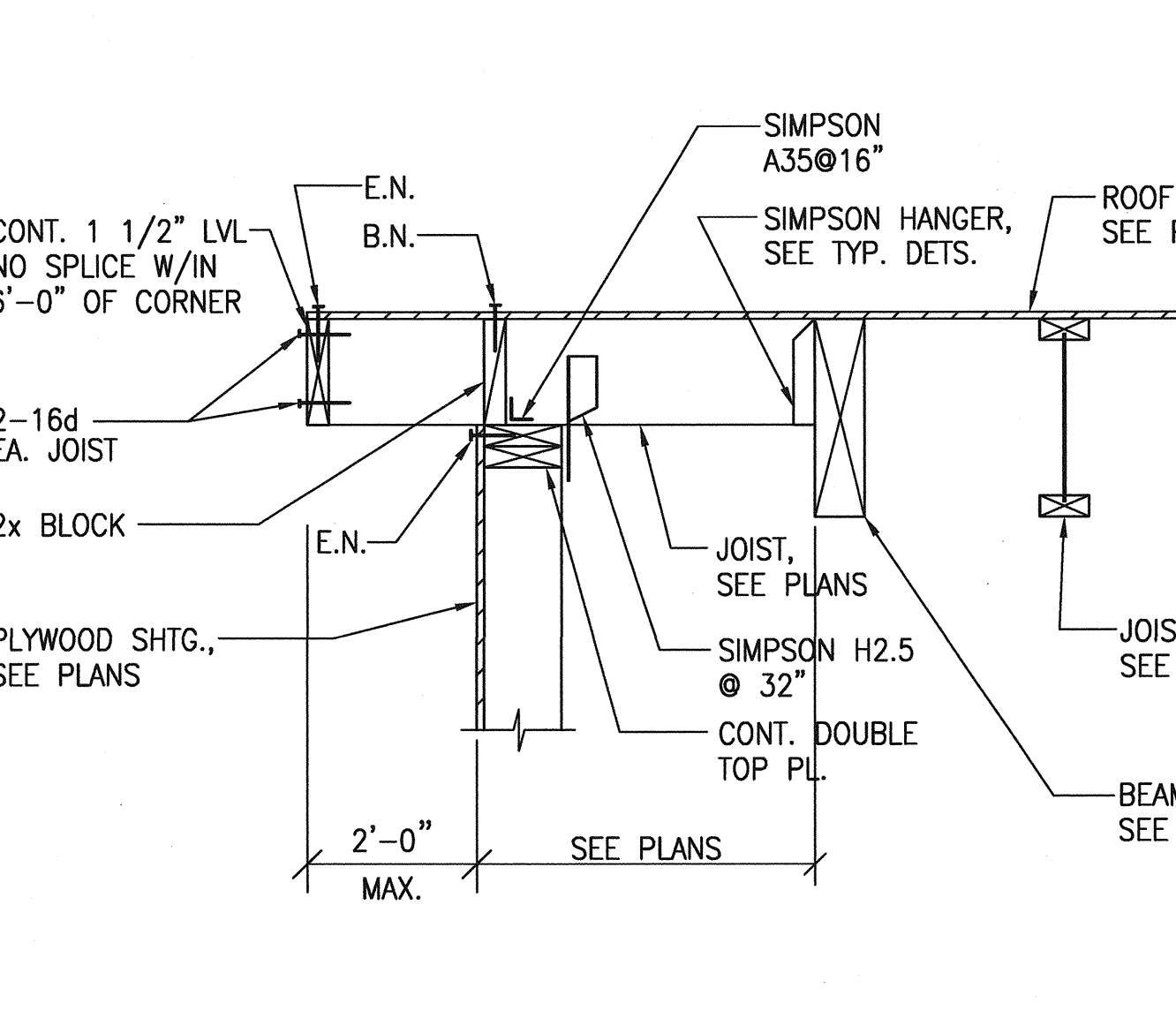
SECTION 6  
N.T.S.



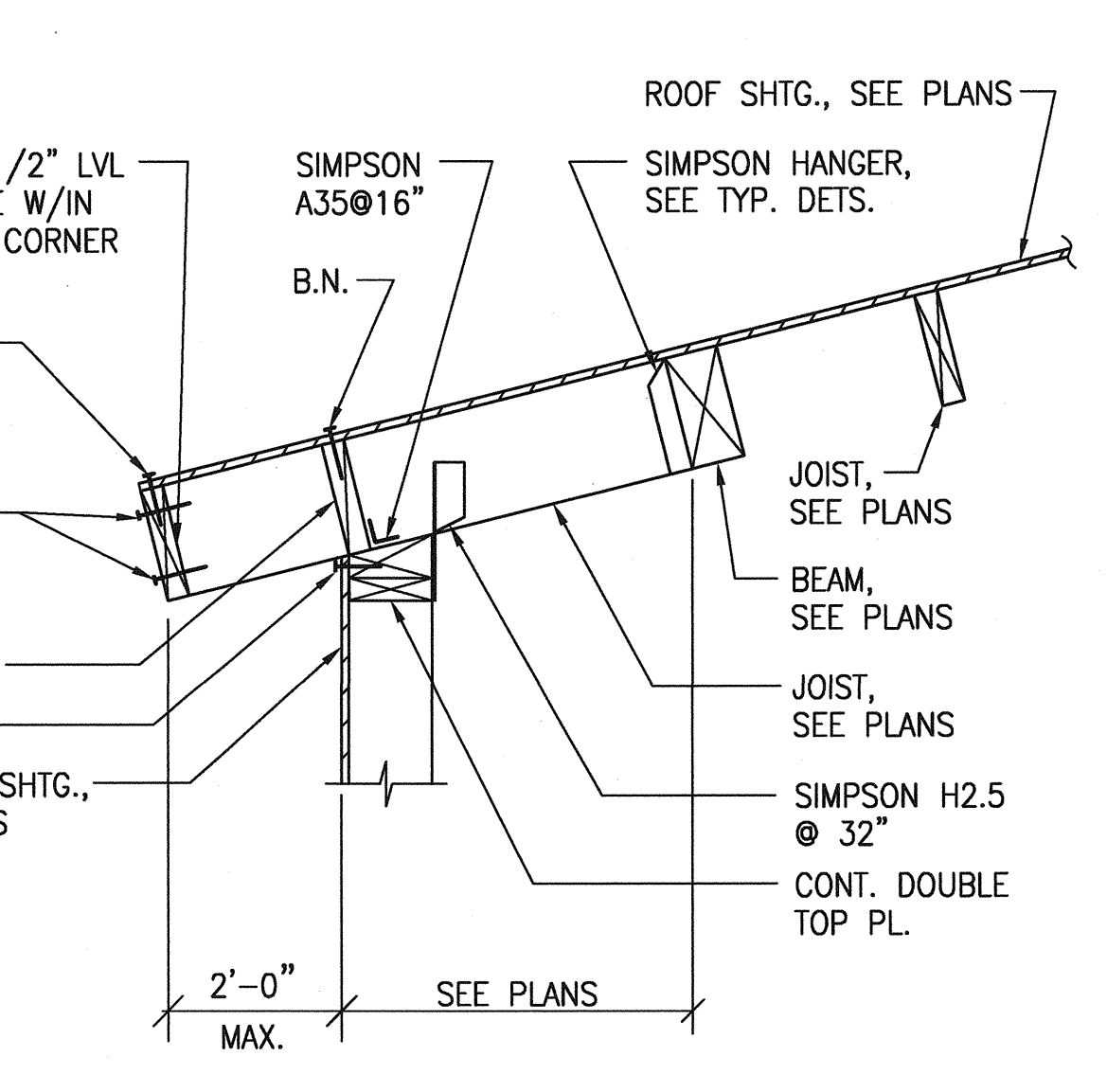
SECTION 7  
N.T.S.



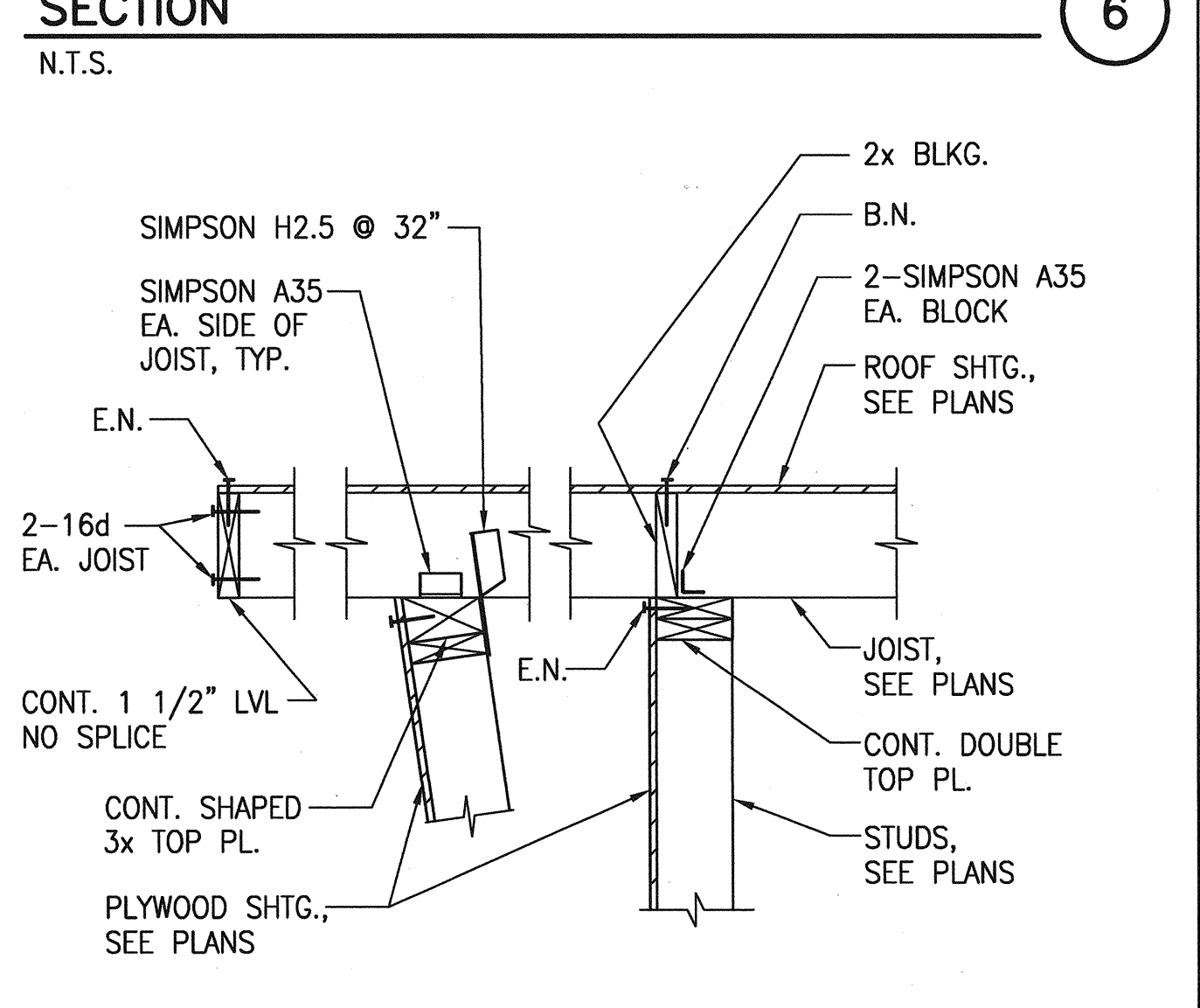
SECTION 8  
N.T.S.



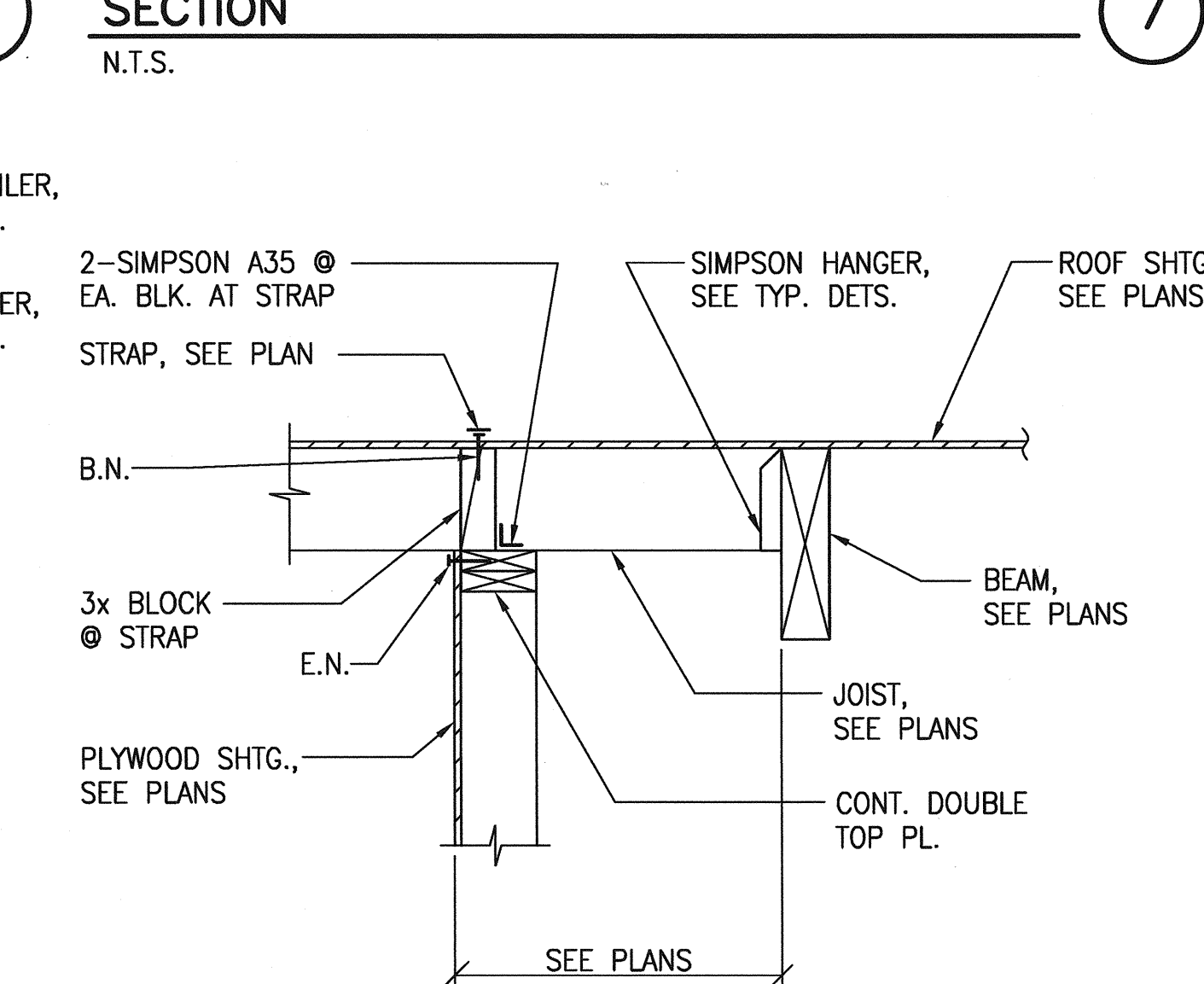
SECTION 9  
N.T.S.



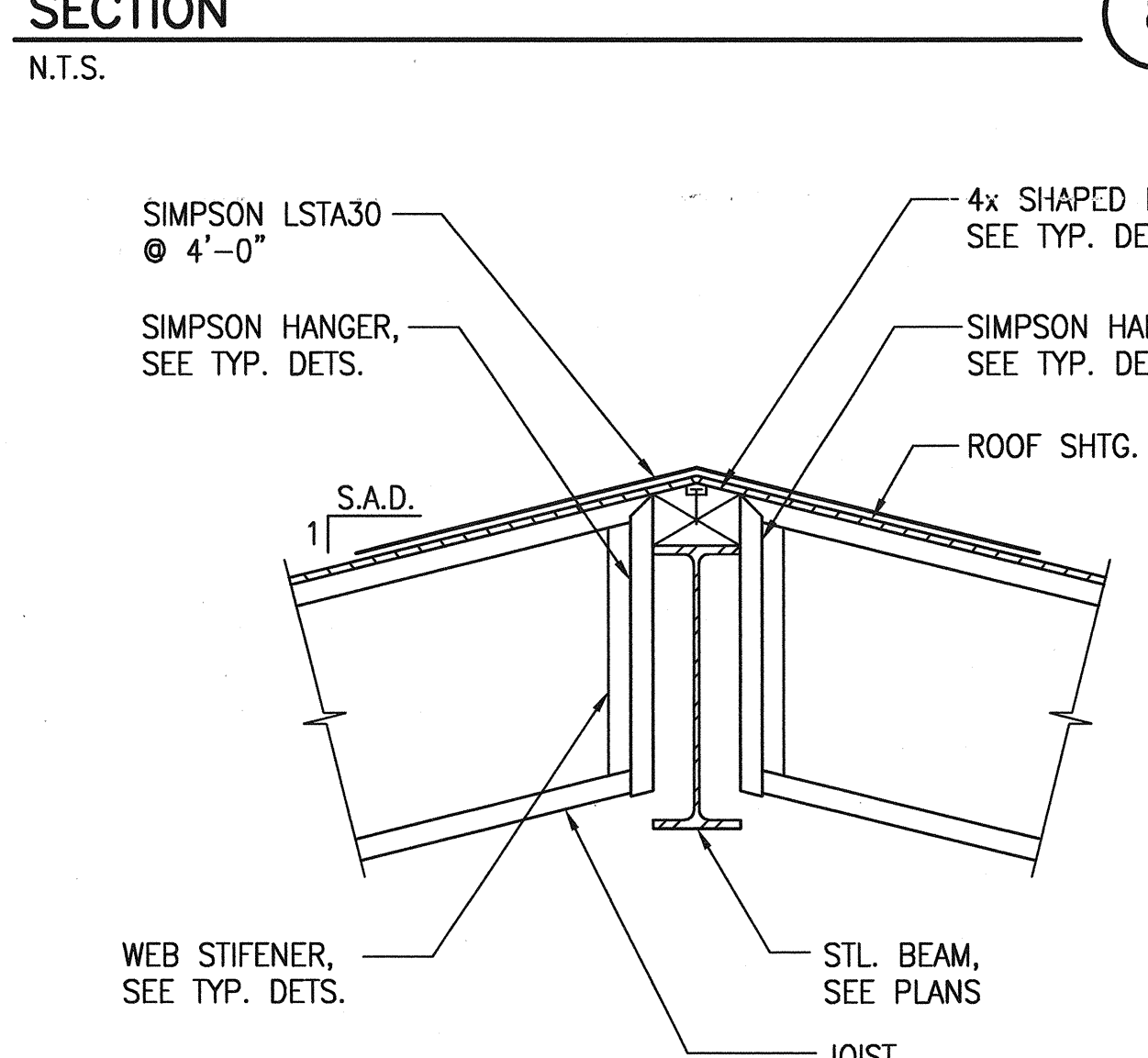
SECTION 10  
N.T.S.



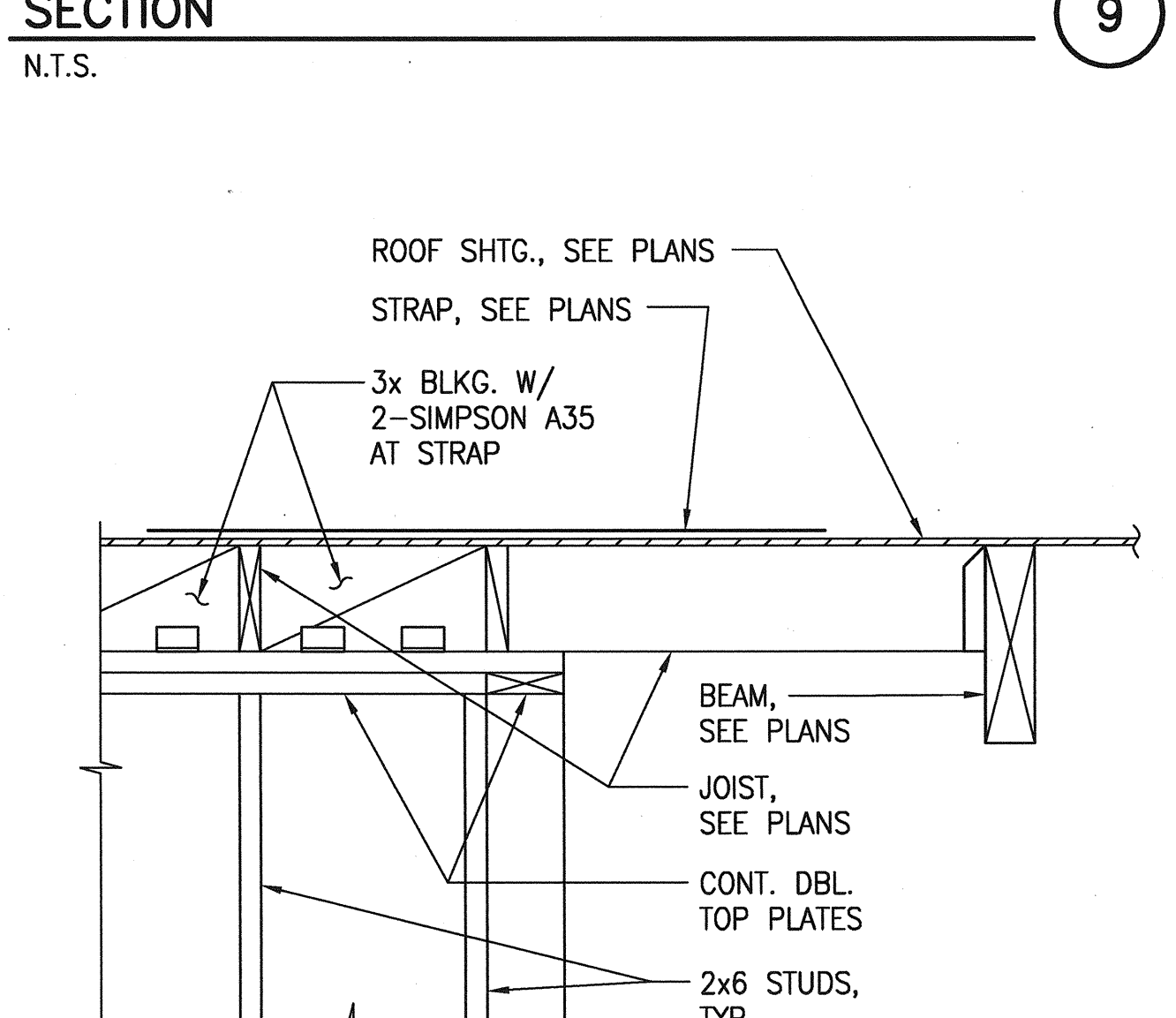
SECTION 11  
N.T.S.



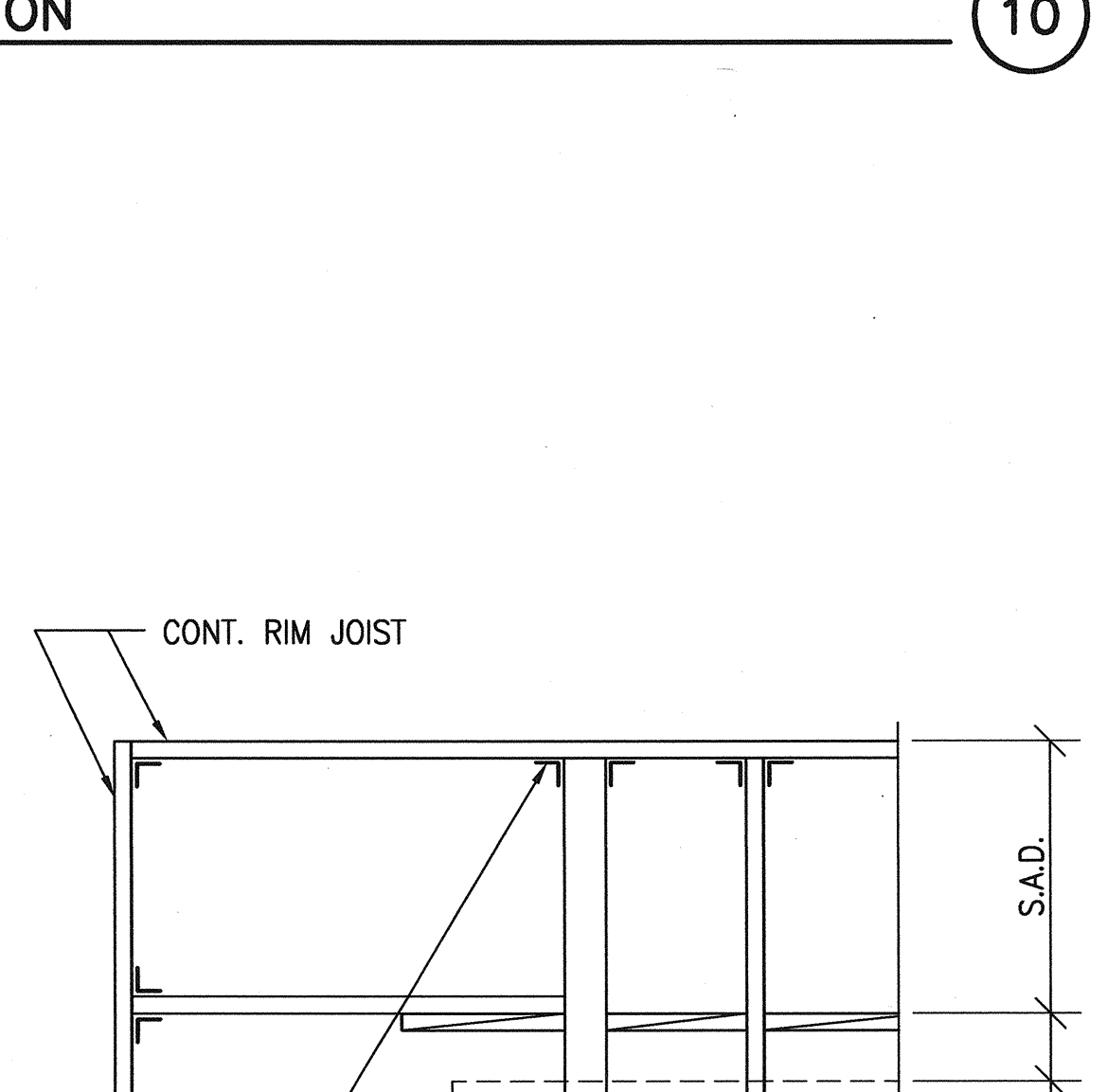
SECTION 12  
N.T.S.



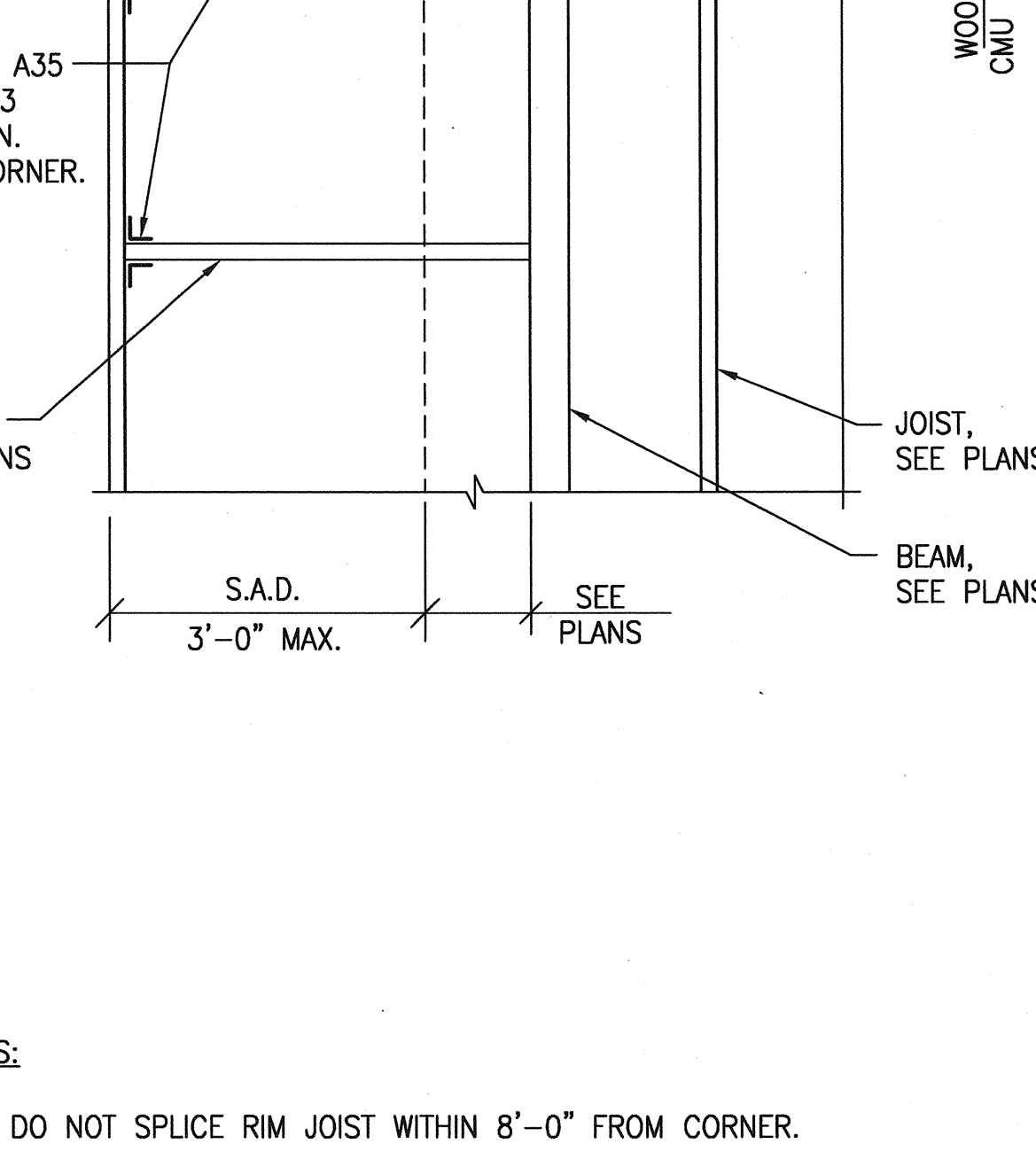
SECTION 13  
N.T.S.



SECTION 14  
N.T.S.



SECTION 15  
N.T.S.



SECTION 20  
N.T.S.

NOTES:  
1. DO NOT SPLICE RIM JOIST WITHIN 8'-0" FROM CORNER.

ROOF FRAMING PLAN DETAIL @ CORNER