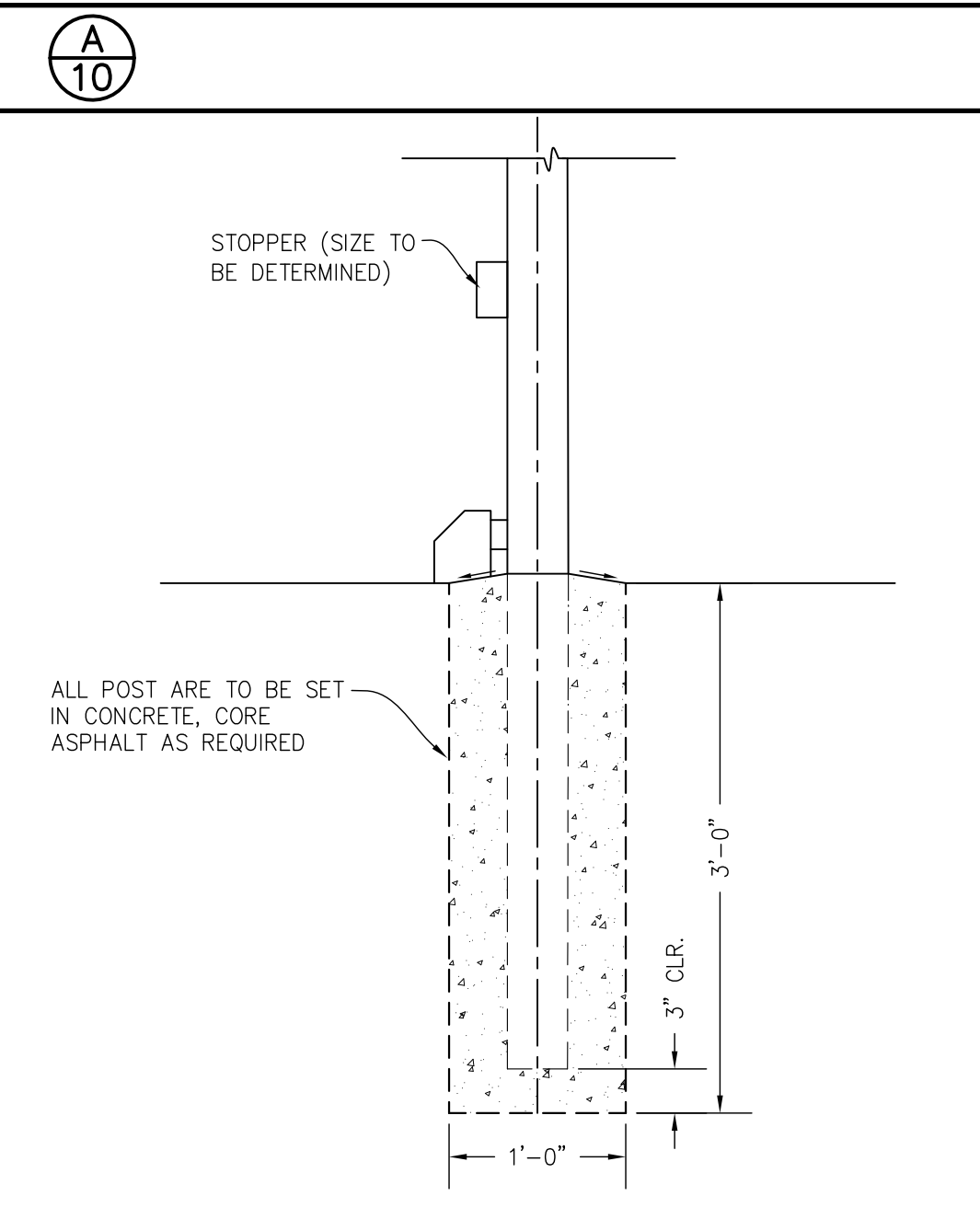
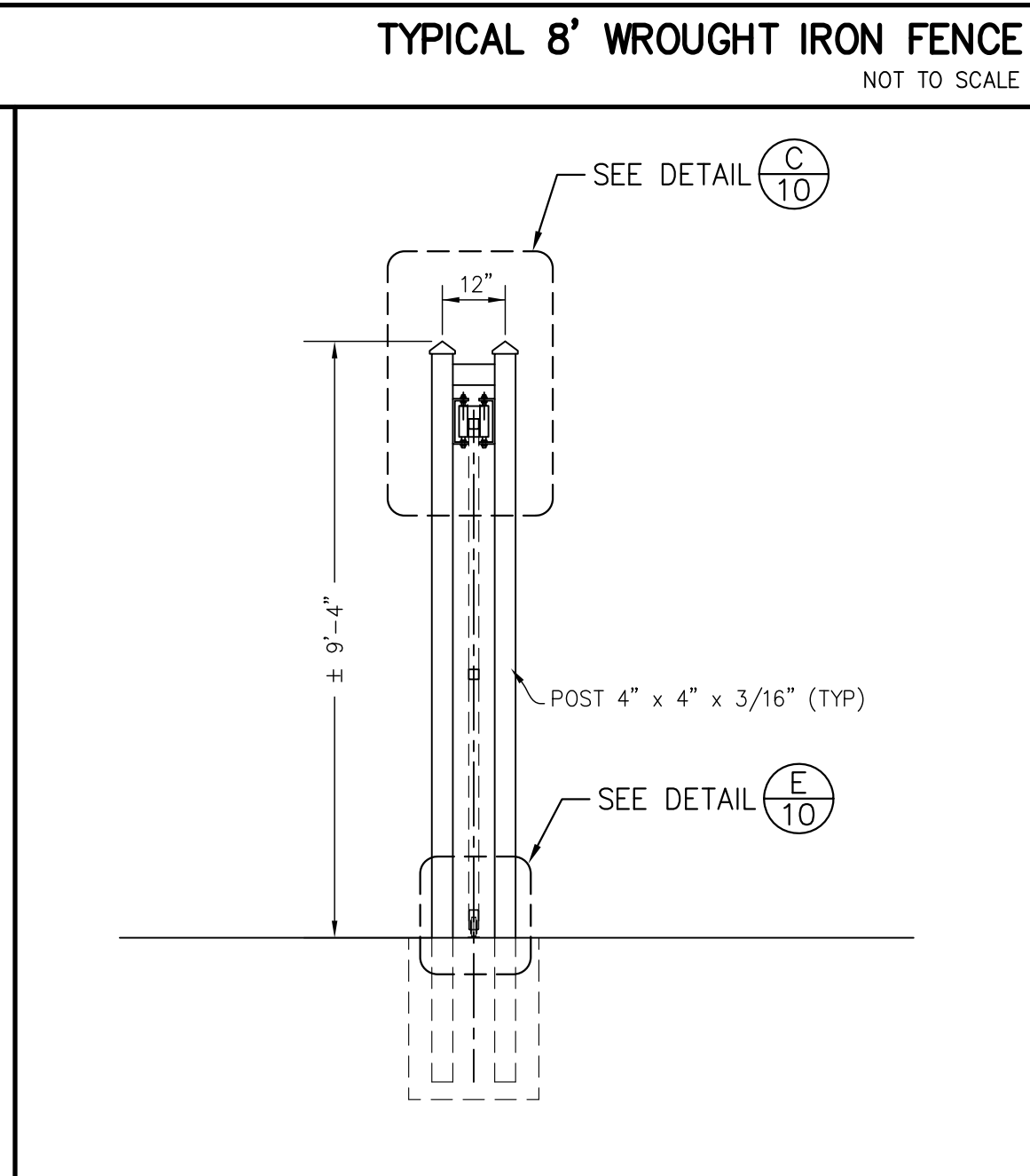


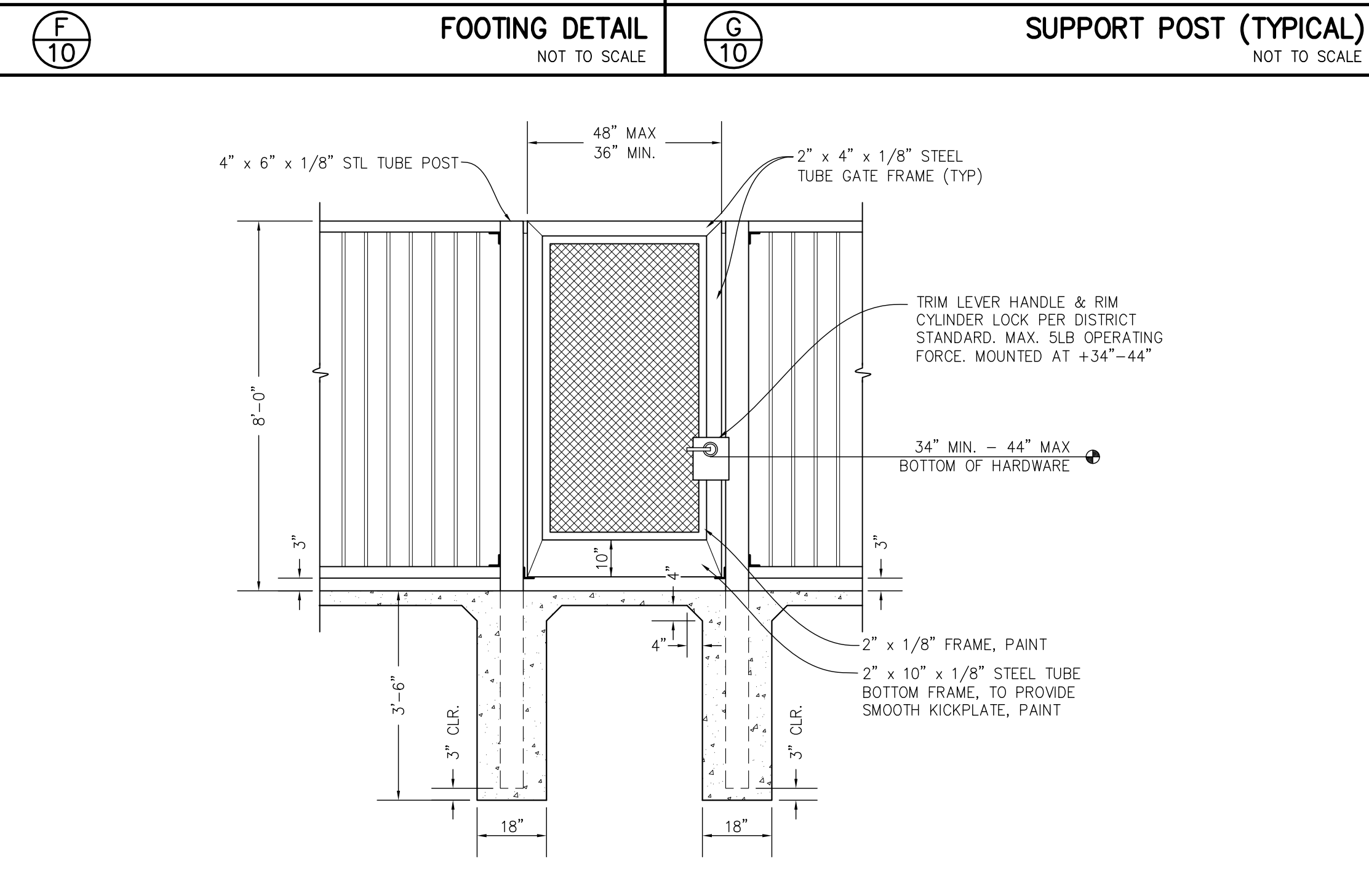
TYPICAL 8' WROUGHT IRON FENCE
NOT TO SCALE



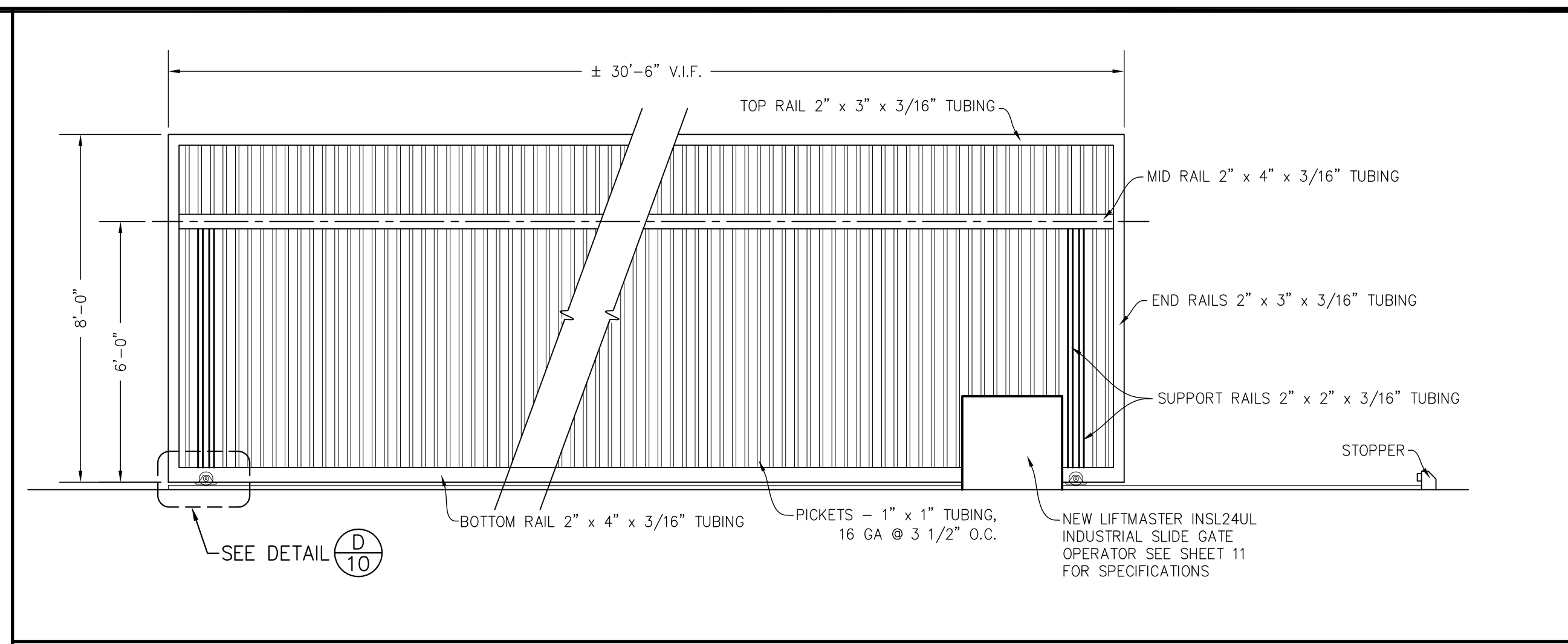
FOOTING DETAIL
NOT TO SCALE



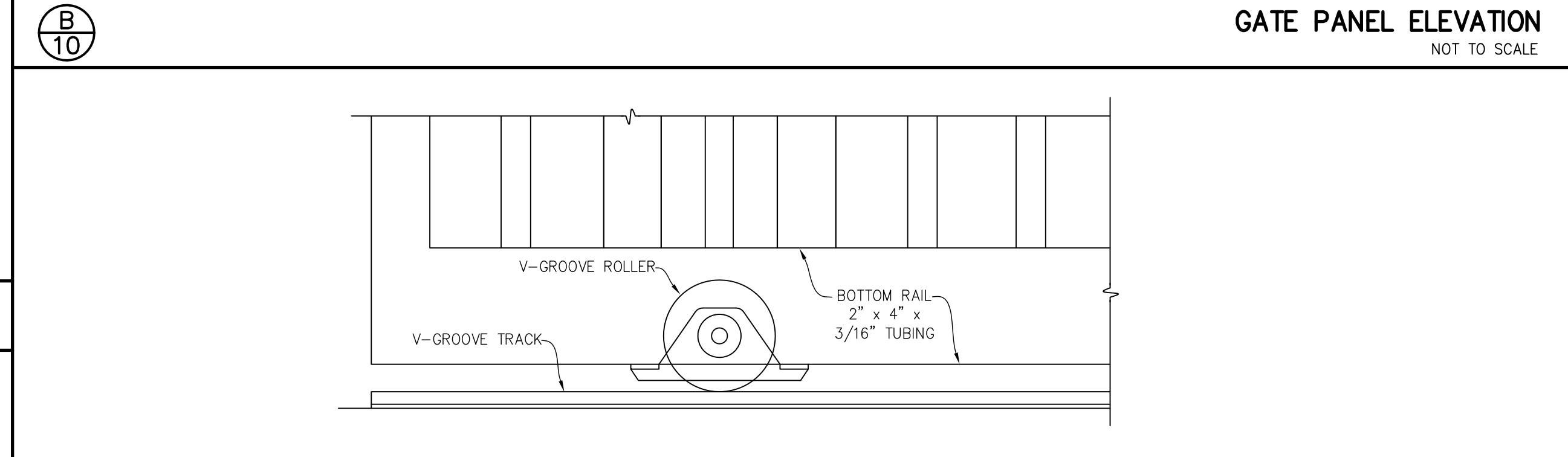
SUPPORT POST (TYPICAL)
NOT TO SCALE



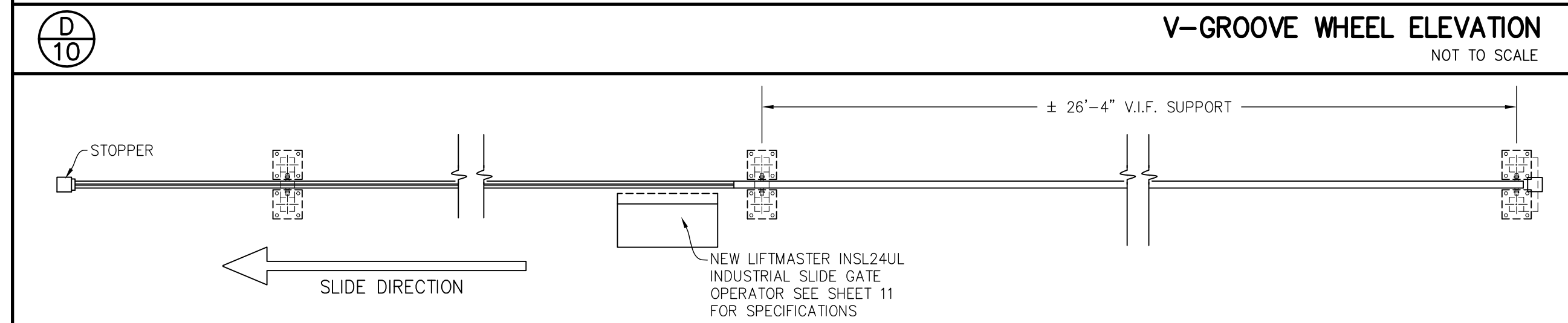
DECORATIVE STEEL SINGLE GATE
NOT TO SCALE



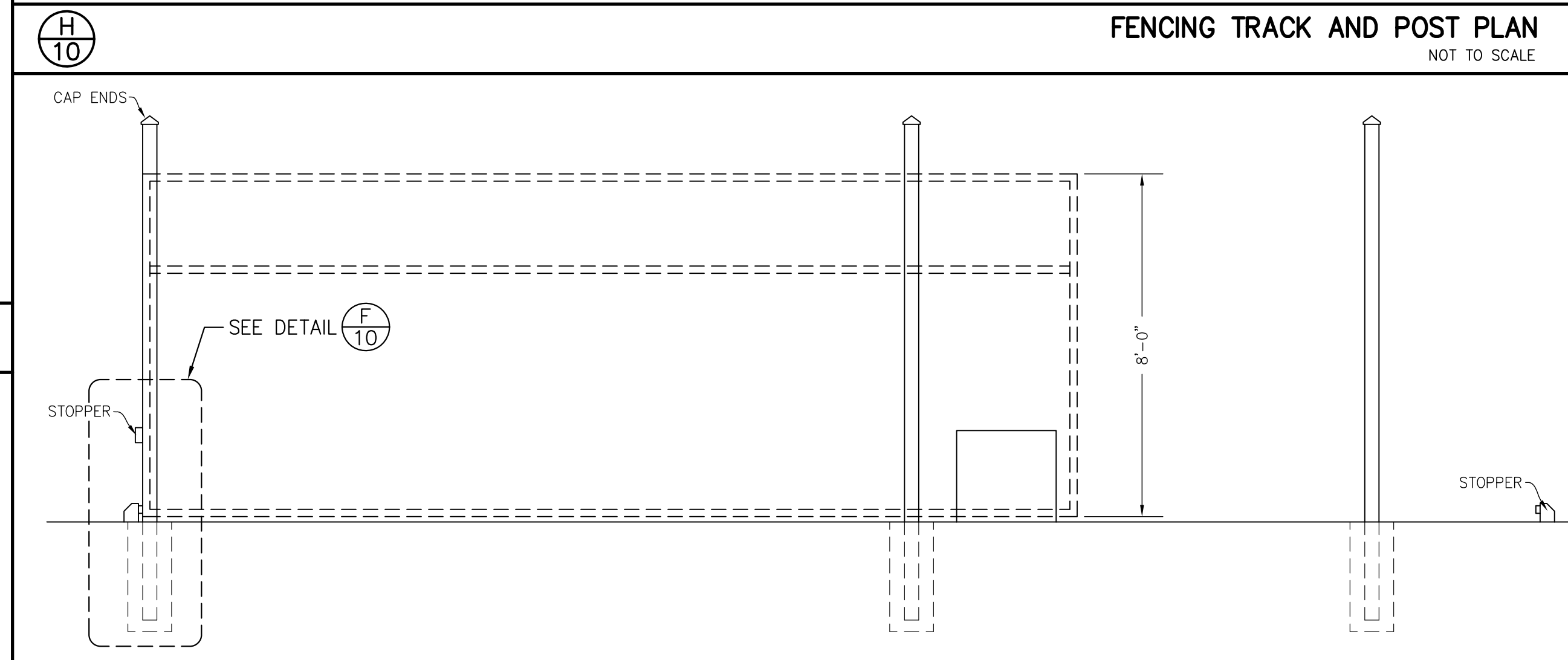
GATE PANEL ELEVATION
NOT TO SCALE



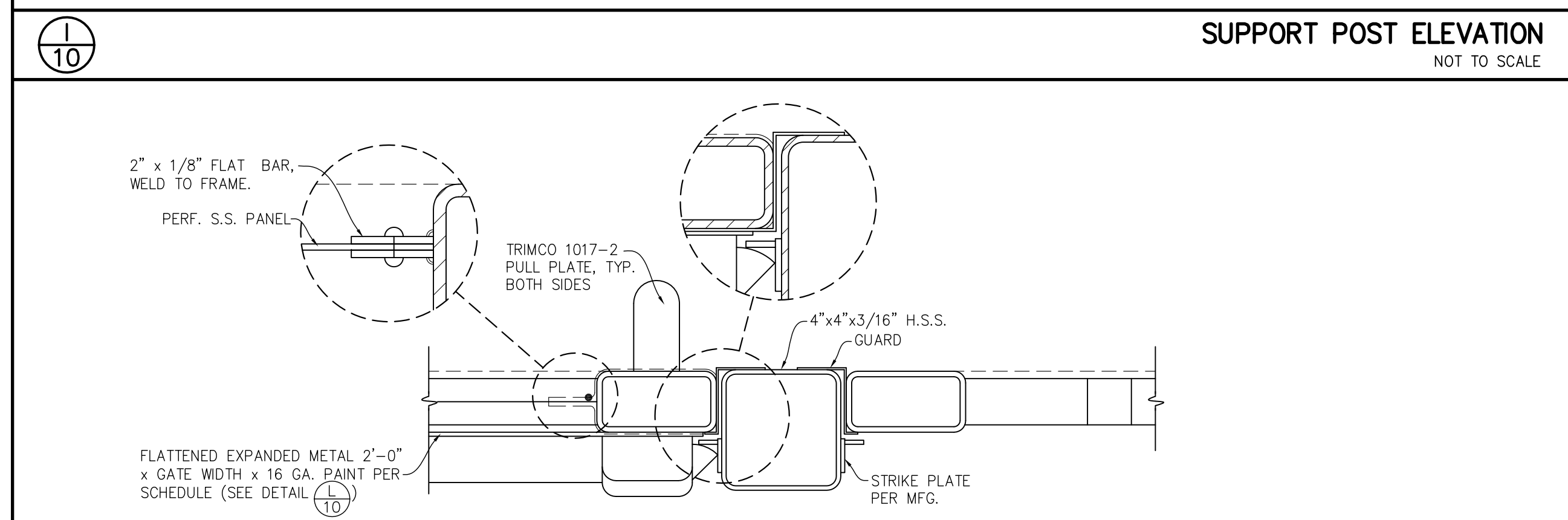
V-GROOVE WHEEL ELEVATION
NOT TO SCALE



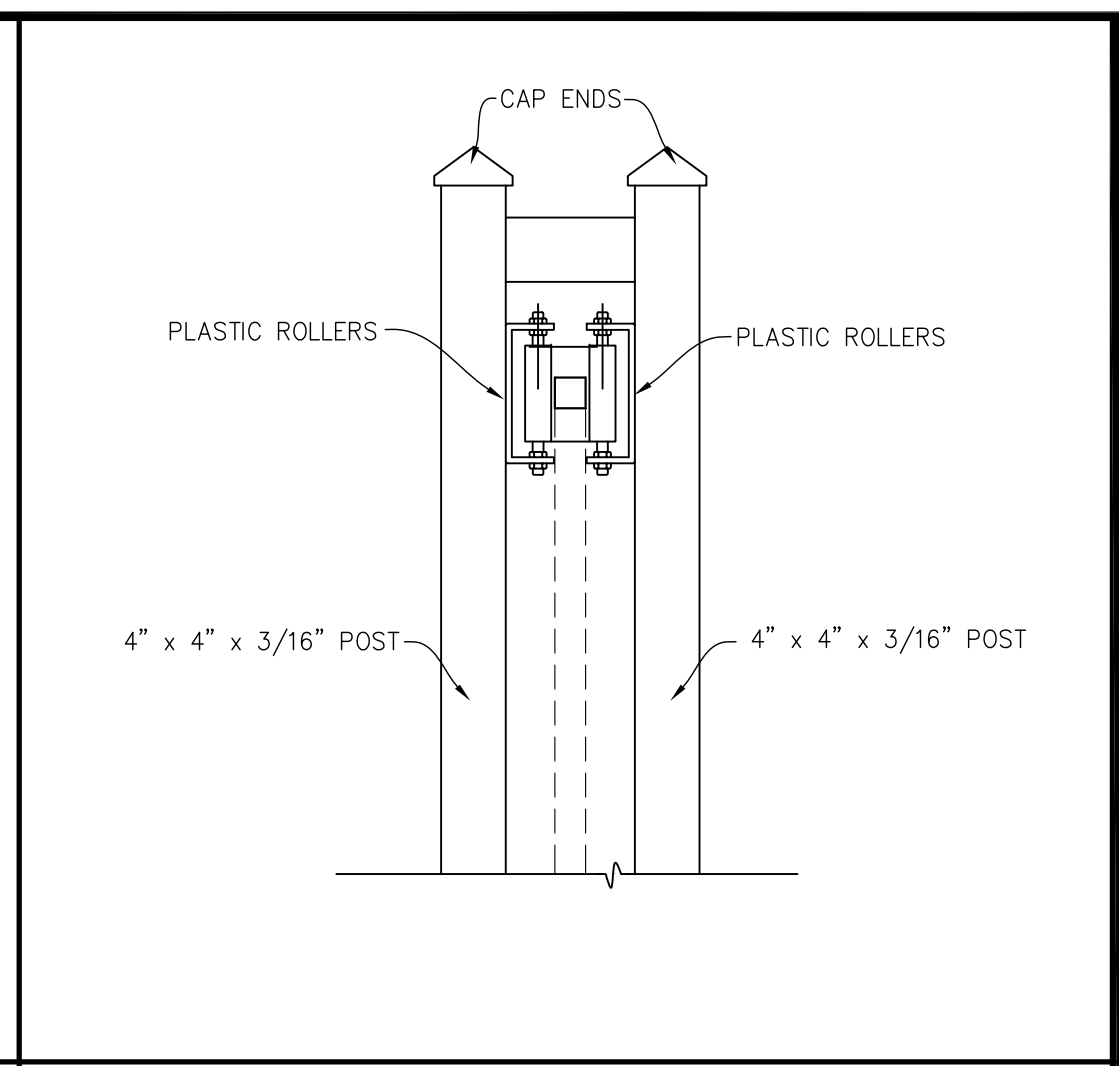
FENCING TRACK AND POST PLAN
NOT TO SCALE



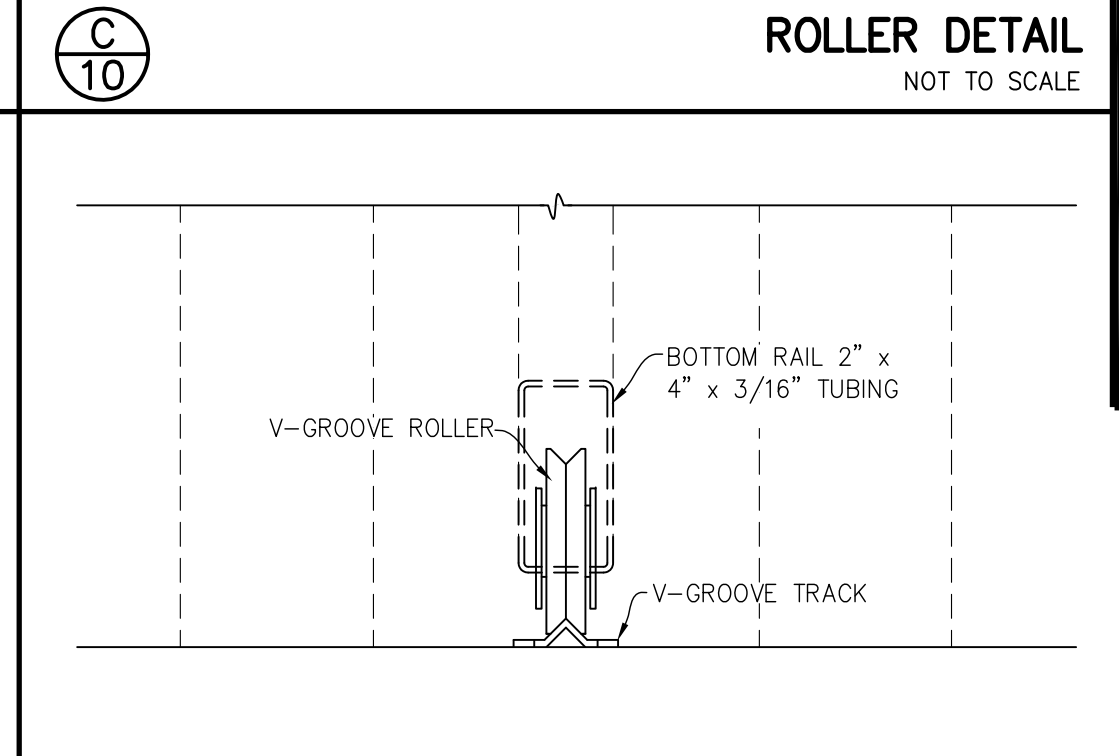
SUPPORT POST ELEVATION
NOT TO SCALE



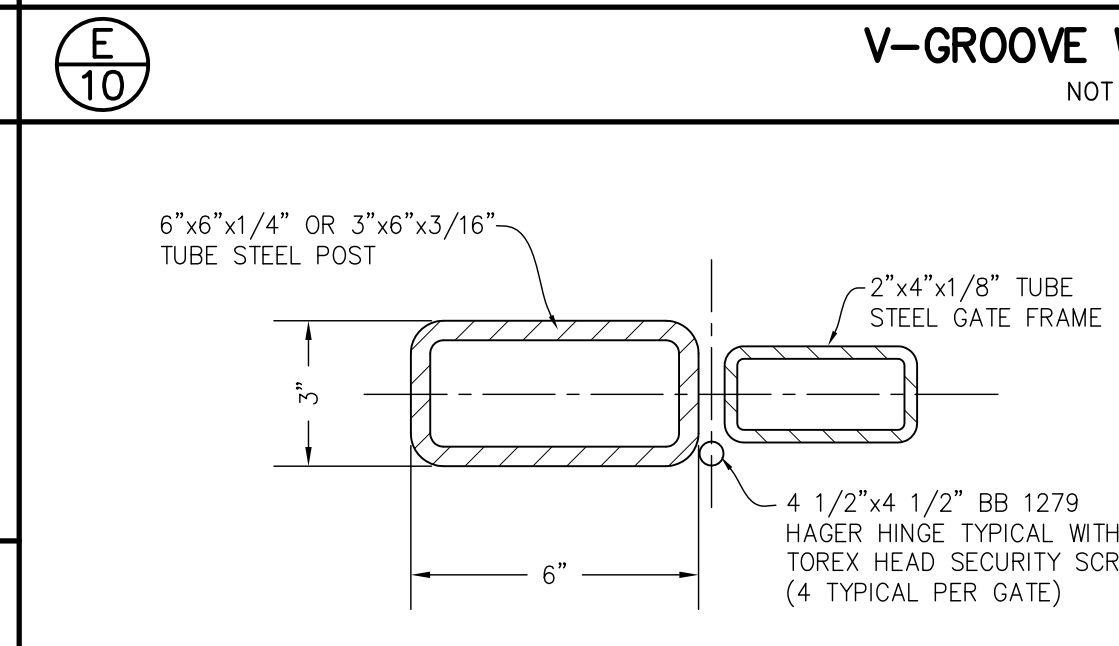
GATE LOCKING DEVICE
NOT TO SCALE



ROLLER DETAIL
NOT TO SCALE



V-GROOVE WHEEL
NOT TO SCALE



GATE HINGE
NOT TO SCALE

THE ABOVE DRAWINGS AND SPECIFICATIONS AND ARRANGEMENTS ARE THE PROPERTY OF PORTER & ASSOCIATES, INC. ANY PART THEREOF SHALL BE COPIED, DISCLOSED TO OTHERS, OR USED IN CONNECTION WITH ANY WORK OR PROJECT OTHER THAN THE SPECIFIC PROJECT FOR WHICH THEY HAVE BEEN PREPARED AND DEVELOPED WITHOUT THE WRITTEN CONSENT OF THE ENGINEER. VISUAL EVIDENCE OF ACCEPTANCE OF THESE RESTRICTIONS, WRITTEN DIMENSIONS ON THESE DRAWINGS SHALL HAVE PRECEDENCE OVER SCALED DIMENSIONS. CONTRACTORS SHALL SHOW BY THESE DRAWINGS, SHOP DETAILS MUST BE SUBMITTED TO THIS OFFICE FOR APPROVAL BEFORE PROCEEDING WITH FABRICATION.

PORTER & ASSOCIATES, INC.
ENGINEERING & SURVEYING
1707 Elys Street Suite 111, Bakersfield, California 93301
861.327.0362

FRED W. PORTER II
PROJECT ENGINEER: MVC
DRAFTSMAN: LGH
PA REVIEW BY: DATE:

REGISTERED PROFESSIONAL ENGINEER
STATE OF CALIFORNIA
RCE 74059
FRED W. PORTER II

RETAINING WALL PLANS
222 34th STREET
BAKERSFIELD CITY SCHOOL DISTRICT
WROUGHT IRON FENCE & GATE DETAILS

DATE 1/17/2024
PA JOB No. 3306

SHEET
10
OF 11 SHEETS

J:\3306\Improvements\Wall Plans\3306-WALL-Cover-Sheet.dwg 04/16/24 matthewcarson