

**WALL NOTES**

- CONTRACTOR SHALL BE RESPONSIBLE FOR CLEARING AND GRADING ALONG THE WALL LINE.
- BEARING SOIL SHALL BE COMPACTED TO 90% OF MAXIMUM DRY DENSITY AS DETERMINED BY ASTM D-1557 TO A DEPTH OF 12 INCHES BELOW BOTTOM OF FOOTING.
- EXCAVATED AREAS WIDER THAN WIDTH OF FOOTING SHALL BE RECOMPACTED TO 90% RELATIVE COMPACTION TO TOP OF FOOTING. USE BATTER BOARD TO PREVENT OVERPOUR OF CONCRETE FOOTING ON THE PUBLIC LANDSCAPE SIDE.
- FOR ALL BLOCK WALLS WITHIN THE CITY RIGHT-OF-WAY OR EASEMENTS, THE CONTRACTOR WILL BE RESPONSIBLE FOR COMPACTION TESTS. THE NUMBER AND LOCATION OF TESTS TO BE DETERMINED BY THE CITY ENGINEER.
- WATERPROOF SURFACE IN ACCORDANCE WITH WATERPROOFING SPECIFICATIONS. COAT ONLY THAT PORTION BELOW HIGHEST GRADE SIDE DOWN TO FOOTING.
- OMITTED HEAD JOINTS SHALL SERVE AS WEEP HOLES. HEAD JOINTS SHALL BE OMITTED AT A SPACING OF 16 INCHES ON CENTER. DO NOT WATERPROOF OVER OMITTED HEAD JOINTS.
- FOR BLOCK WALLS THAT SERVE AS SCREEN FENCES, PROVIDE VERTICAL EXPANSION JOINTS PER BLOCK MANUFACTURER'S RECOMMENDATIONS. IF NO RECOMMENDATIONS EXIST, PROVIDE EXPANSION JOINTS WITH 3/8" MAX. GAP AT MAXIMUM 48 FOOT INTERVALS ALONG THE ENTIRE LENGTH OF THE CONCRETE MASONRY BLOCK WALL.
- THE HEIGHT OF BLOCK WALLS THAT SERVE AS SCREEN FENCES SHALL BE 6'-0" MIN. MEASURED FROM THE HIGHEST ADJACENT GROUND.
- MASONRY BLOCK WALL PATTERN SHALL BE RUNNING BOND (COMMON BOND), UNLESS OTHERWISE NOTED.
- ALL REBAR OVERLAPPING SHALL BE 24 INCHES, UNLESS OTHERWISE NOTED.
- ALL REBAR ADJACENT TO SOIL SHALL HAVE 3 INCH MIN. CONCRETE COVER.
- GROUT ALL CELLS CONTAINING REBAR, TYPICAL.
- FOR OTHER IMPROVEMENTS NOT SHOWN, REFER TO GRADING PLAN, STREET PLANS, SEWER & STORM DRAIN PLANS, WATER PLANS AND DRY UTILITY PLANS FOR THIS MAP.
- MAXIMUM SLOPE RATIO FROM BACK OF SIDEWALK TO FACE OF WALL OR STRUCTURE SHALL BE 4:1, EXCEPT FOR TWO FEET BEHIND THE SIDEWALK WHERE THE MAXIMUM SLOPE SHALL BE 2%. ALTERNATIVELY, THE CITY ENGINEER MAY APPROVE CURBING BEHIND THE SIDEWALK OR OTHER METHOD TO PREVENT EROSION, ONTO THE SIDEWALK.
- PRIOR TO INSTALLATION OF ANY SIGNAGE, SUBDIVIDER SHALL SUBMIT TWO COPIES OF SUBDIVISION IDENTIFICATION SIGN PLANS TO THE BUILDING DIRECTOR FOR REVIEW AND APPROVAL PURSUANT TO BMC SECTION 17.60.110 (N). ONE COPY OF THE SIGNED PLAN SHALL ALSO BE SUBMITTED TO THE PARKS DIVISION FOR REVIEW AND APPROVAL. SIGN PLANS SHALL INCLUDE COPY, DIMENSIONS, COLOR MATERIALS, LIGHTING, ANCHORAGE, LETTERING FONTS, AND LOCATION OF SIGN(S). APPROVAL OF WALL PLANS BY THE PUBLIC WORKS DIRECTOR DOES NOT INCLUDE APPROVAL OF ANY SIGNAGE.

**WATERPROOFING SPECIFICATIONS**

- WATERPROOF SURFACE WITH 1/4" THICK ASPHALTIC WATERPROOF COATING OR APPROVED EQUAL AS PER PROPOSED CITY OF BAKERSFIELD STANDARD DRAWING L-9.

**STRUCTURAL NOTES**

**GENERAL NOTES**

- ALL WORK SHALL BE PERFORMED IN ACCORDANCE WITH APPLICABLE SECTIONS OF THE CALIFORNIA BUILDING CODE, LATEST EDITION.

**FOUNDATION NOTES**

- FOR ALLOWABLE SOIL BEARING VALUES REFER TO THE SOILS REPORT AS PROVIDED.

**CONCRETE NOTES**

- MATERIALS:
  - REINFORCING: ASTM A615, GRADE 60 DEFORMED BARS.
  - CEMENT: PORTLAND CEMENT, TYPE II, ASTM C-150.
  - AGGREGATE: ASTM C-33.
  - WATER: CLEAN AND DRINKABLE.
  - ADMIXTURES: ONLY AS APPROVED BY THE ENGINEER.
- CONCRETE MIX DESIGN FOR FOOTINGS:
  - CALTRANS MINOR CONCRETE, 2500 PSI AT 28 DAYS.
  - 505 LB OF CEMENT (MIN) PER CUBIC YARD.
  - 3/4" AGGREGATE (MAX).
  - 5" SLUMP - MAXIMUM WATER/CEMENT RATIO: 0.55 (MAX).

**MASONRY NOTES**

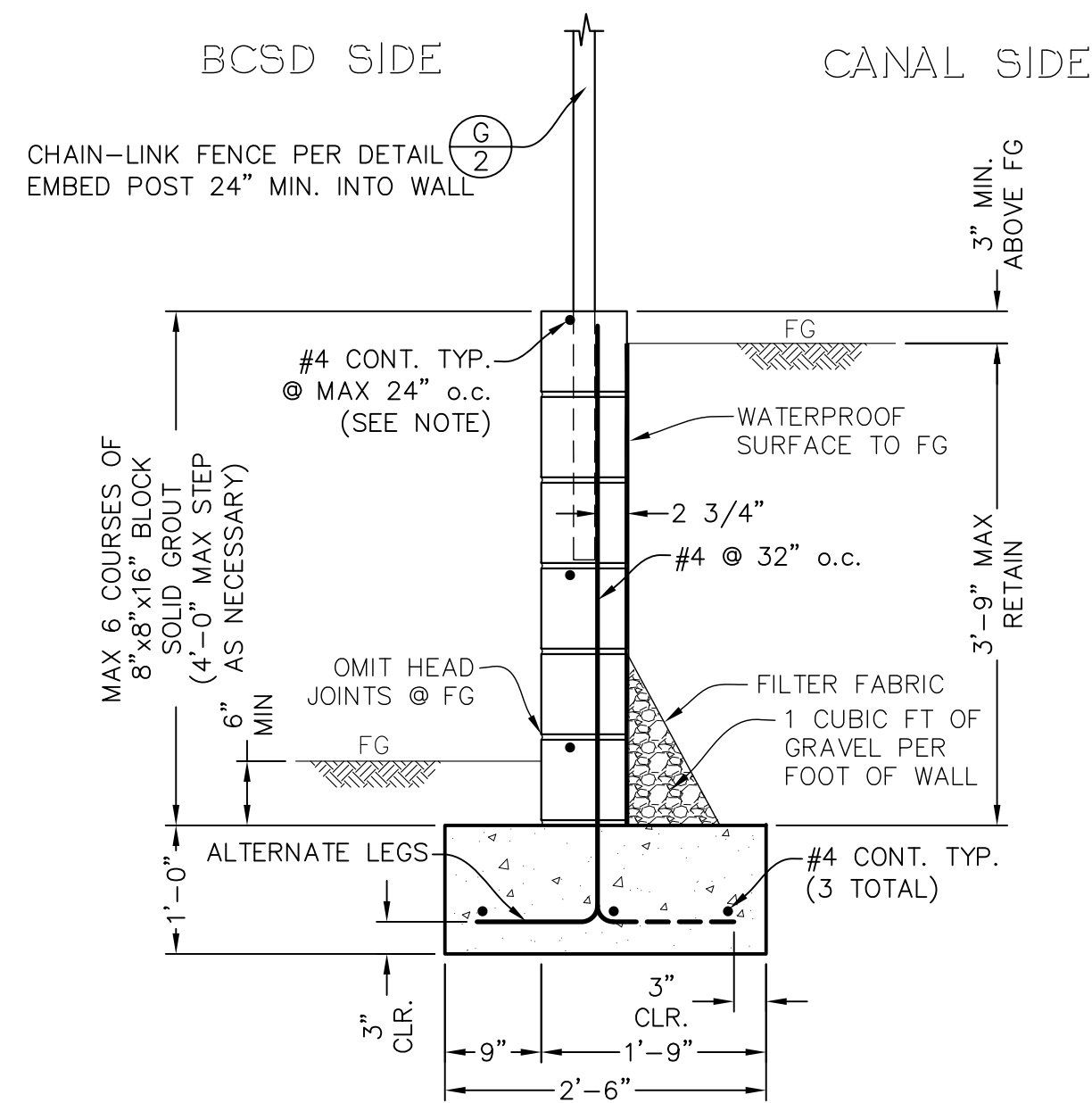
- MATERIALS:
  - CONCRETE BLOCK MASONRY UNITS: ASTM C-90.
  - REINFORCING: ASTM A615, GRADE 60 DEFORMED BARS.
  - ADMIXTURES: ONLY AS APPROVED BY THE ENGINEER.

**CONCRETE SPECIFICATIONS**

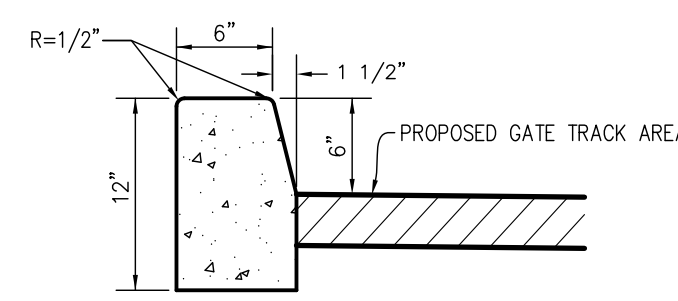
- CONCRETE SHALL CONTAIN 505 POUNDS OF CEMENTITIOUS MATERIAL UNLESS OTHERWISE APPROVED IN WRITING BY THE ENGINEER.
- CONCRETE SHALL CONFORM TO SECTION 90 OF CALTRANS STANDARD PLANS AND SPECIFICATIONS DATED MAY 2010.
- CEMENT SHALL BE IN CONFORMANCE WITH ASTM C150, TYPE 2 AND SHALL BE ENTIRELY FROM ONE MANUFACTURER.
- ALL AGGREGATE SHALL CONFORM TO THE REQUIREMENTS OF ASTM C33.
- ALL WATER FOR CONCRETE SHALL BE CLEAN AND FREE FROM DETRIMENTAL AMOUNTS OF ACID, ALKALI AND ORGANIC MATTER AND SHALL BE FROM A DOMESTIC WATER SUPPLY.
- CONCRETE SHALL BE CURED AS SPECIFIED IN SECTION 90-1.03 OF CALTRANS STANDARD PLANS AND SPECIFICATIONS DATED MAY 2010.
- CONTROL JOINTS IN SIDEWALK SHALL BE SPACED NO MORE THAN 8' ON CENTER AND NO MORE THAN 15' ON CENTER FOR OTHER FLAT WORK.
- CONTROL JOINTS IN CURBS, CURB & GUTTER, AND "V" GUTTER SHALL BE SPACED @ 15' O.C. MAX.
- COMPACT SUBGRADE UNDER ALL CONCRETE CURBS, FLATWORK, ETC. TO A MINIMUM DEPTH OF 6" TO 90% MAXIMUM DENSITY. CONTRACTOR SHALL PROVIDE COMPACTION TEST RESULTS PREPARED BY A CERTIFIED LAB TO THE OWNER & CORRECT FAILURES AT CONTRACTOR'S EXPENSE.

**MASONRY NOTES (CONTINUED)**

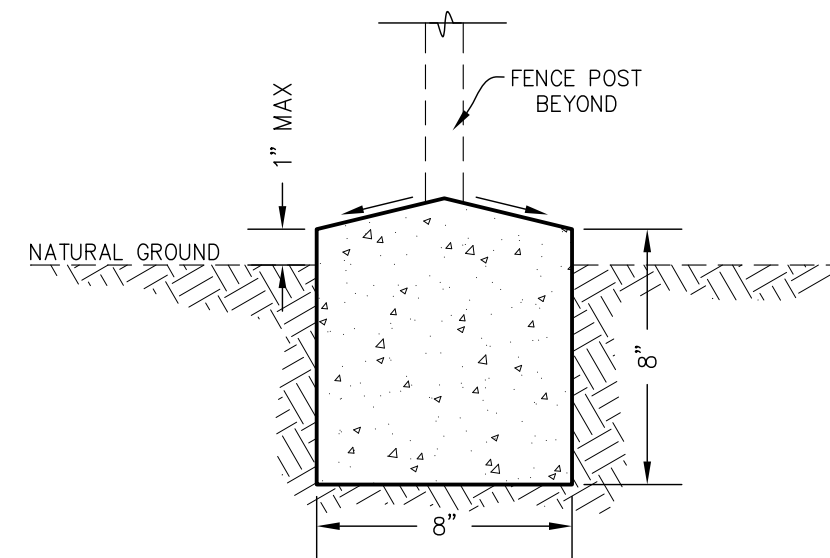
- MORTAR:
  - STRENGTH: TYPE S, 1900 PSI @ 28 DAYS.
- GROUT:
  - STRENGTH: 2000 PSI @ 28 DAYS.
  - CONCRETE BLOCK MASONRY UNITS SHALL BE DRY AND CLEAN BEFORE GROUTING OPERATION.



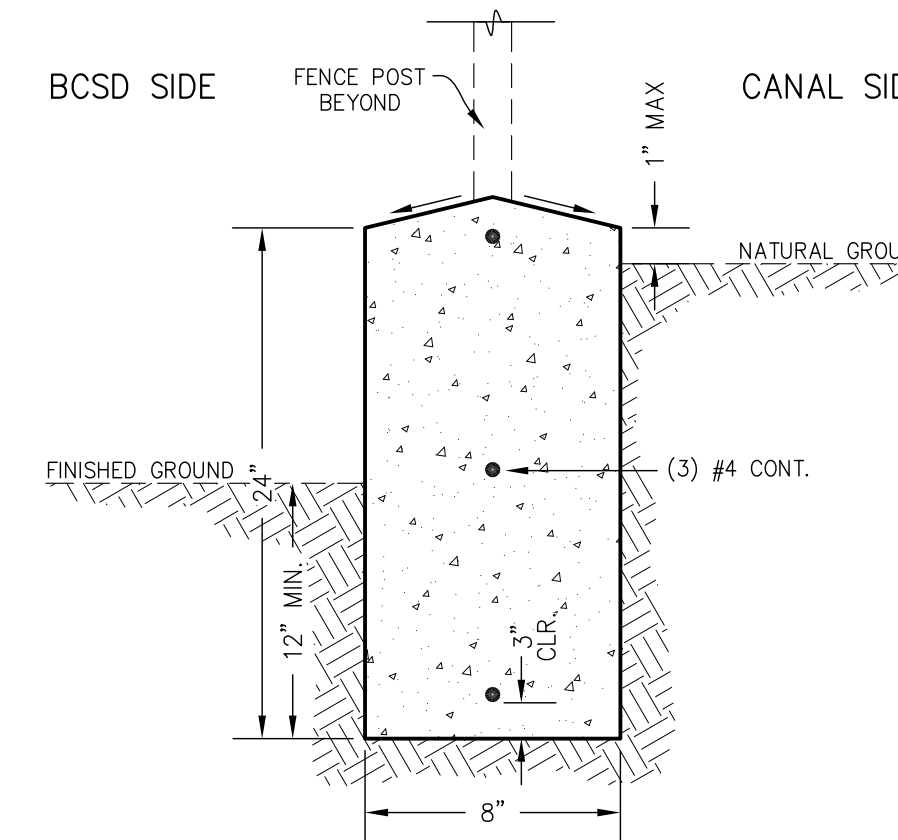
**A**  
TYPICAL SECTION  
NOT TO SCALE



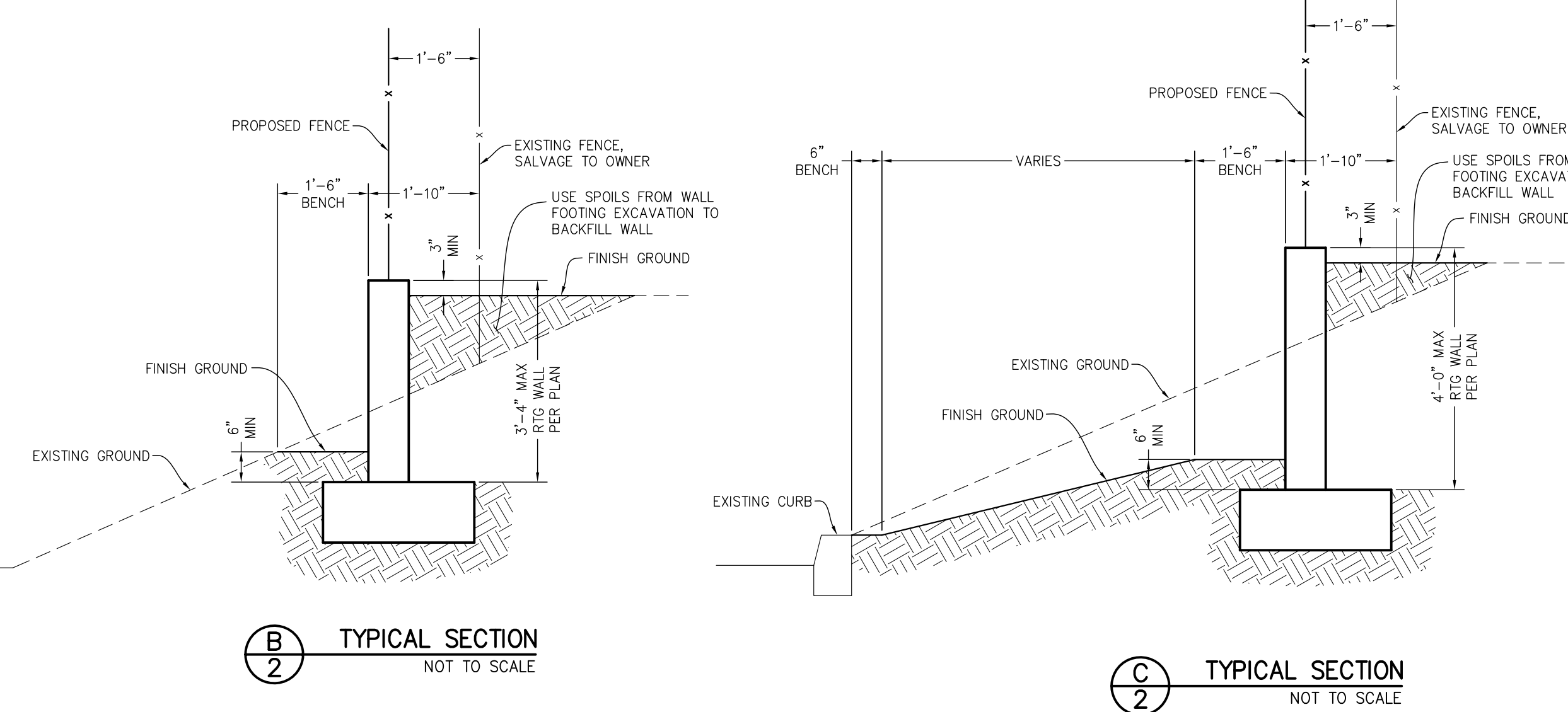
**D**  
6" CONCRETE CURB  
NOT TO SCALE



**E**  
CONCRETE MOW STRIP  
NOT TO SCALE

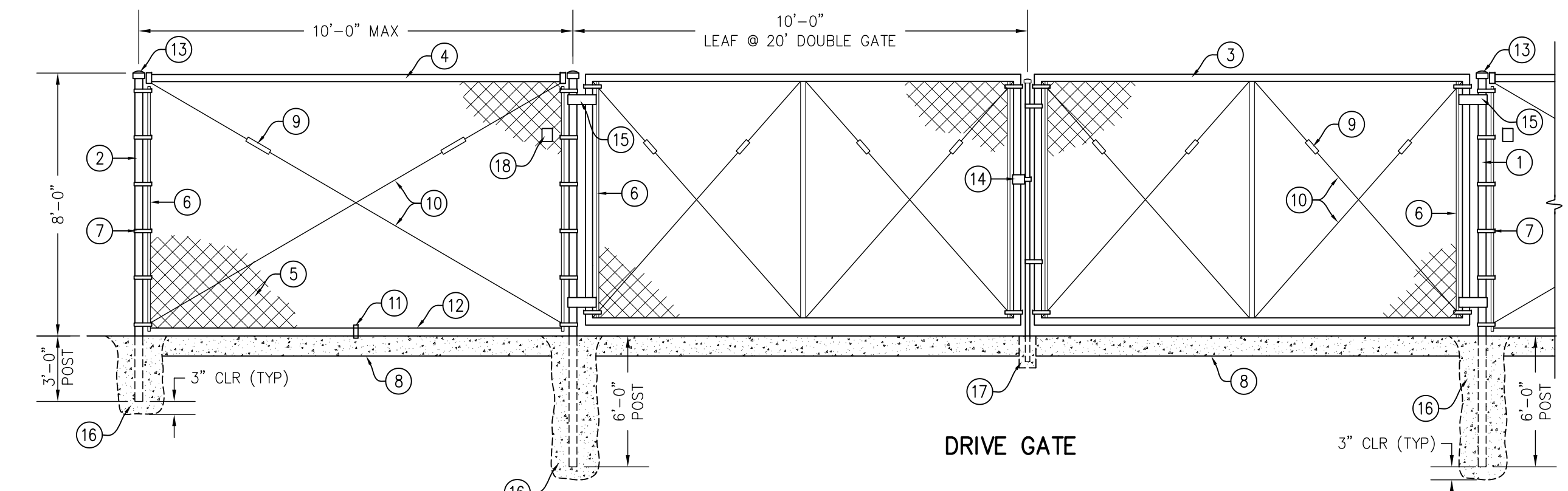


**F**  
CONCRETE RETAINING CURB  
NOT TO SCALE



**B**  
TYPICAL SECTION  
NOT TO SCALE

**C**  
TYPICAL SECTION  
NOT TO SCALE



**G**  
TYPICAL CHAIN-LINK FENCE & GATES DETAIL  
NOT TO SCALE

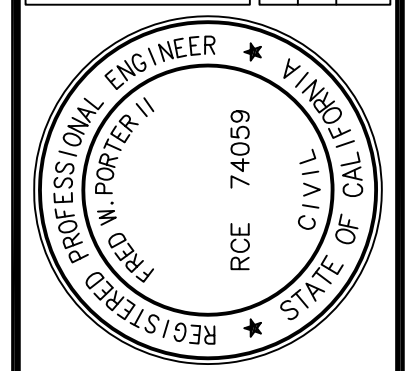
**TYPICAL CHAIN-LINK FENCE AND GATE CONSTRUCTION NOTES**

- 6" O.D. GALVANIZED STEEL GATE POST (9.1 lb/ft)
- 2 7/8" O.D. GALVANIZED STEEL END OR CORNER POST (5.79 lb/ft)
- 2" O.D. GALVANIZED STEEL GATE FRAME (2.72 lb/ft)
- 1 5/8" O.D. GALVANIZED STEEL HORIZONTAL RAIL (2.27 lb/ft)
- 1"x 1" MESH x 9 GAUGE GALVANIZED FENCE FABRIC WITH KNUCKLED TOP AND BOTTOM SELVAGE/ FENCE FABRIC TO BE GALVANIZED BEFORE WEAVING (GBW)
- 1/4" x 3/4" GALVANIZED STEEL STRETCHER BAR.
- GALVANIZED STEEL STRETCHER BAR TENSION BAND, MIN. OF 6 TENSION BANDS.
- MOW STRIP PER DETAIL (E)
- GALVANIZED ADJUSTABLE TURNBUCKLE FOR 3/8" DIA. TRUSS ROD.
- 3/8" DIA. GALVANIZED STEEL ADJUSTABLE TRUSS ROD. TRUSS RODS REQUIRED FOR ALL GATE POST PANELS AND END OR CORNER POST PANELS.
- 3/8" x 6" GALVANIZED HOOK BOLT WITH NUT IMBEDDED IN MIDWAY POSTS.
- 7 GAUGE (0.177" DIA.) GALVANIZED STEEL TENSION WIRE.
- RAINPROOF CAP
- LOCKING HASP
- 180° GATE HINGE, TYP.
- CONCRETE POST FOOTING, TYP. (12" FOR FENCE, 18" FOR GATES)
- GALVANIZED STEEL PIPE SLEEVE FOR GATE DROP ROD.
- PROVIDE SERIES 3200 KNOX BOX @ ALL ENTRY GATES REQUIRED FOR FIRE DEPARTMENT ACCESS.

THE ABOVE DRAWINGS AND SPECIFICATIONS AND ARRANGEMENTS ARE THE PROPERTY OF PORTER & ASSOCIATES, INC. ANY REPRODUCTION OR USE OF THESE DRAWINGS WITHOUT THE WRITTEN CONSENT OF THE ENGINEER, VISUAL PREPARED AND DEVELOPED WITHOUT THE WRITTEN CONSENT OF THE ENGINEER. VISUAL EVIDENCE OF ACCEPTANCE OF THESE RESTRICTIONS, WRITTEN DIMENSIONS ON THESE DRAWINGS SHALL HAVE PRECEDENCE OVER SCALED DIMENSIONS. CONTRACTORS SHALL BE RESPONSIBLE FOR VERIFYING ALL DIMENSIONS AND CONDITIONS. THIS OFFICE MUST BE NOTIFIED OF ANY VARIATIONS FROM THE DIMENSIONS AND CONDITIONS SHOWN BY THESE DRAWINGS. SHOP DETAILS MUST BE SUBMITTED TO THIS OFFICE FOR APPROVAL BEFORE PROCEEDING WITH FABRICATION.

**PORTER & ASSOCIATES, INC.**  
ENGINEERING & SURVEYING  
1707 Eye Street, Suite 111, Bakersfield, California 93301  
661.327.0362

FRED W. PORTER II  
PROJECT ENGINEER: MVC  
DRAFTSMAN: LOH  
PA REVIEW BY: \_\_\_\_\_  
DATE: \_\_\_\_\_



**RETAINING WALL PLANS**  
**222 34th STREET**  
**BAKERSFIELD CITY SCHOOL DISTRICT**  
**WALL NOTES - TYPICAL DETAILS**

REVISIONS  
DATE: 1/17/2024  
PA JOB No. 3306  
SHEET  
**2**  
OF 11 SHEETS