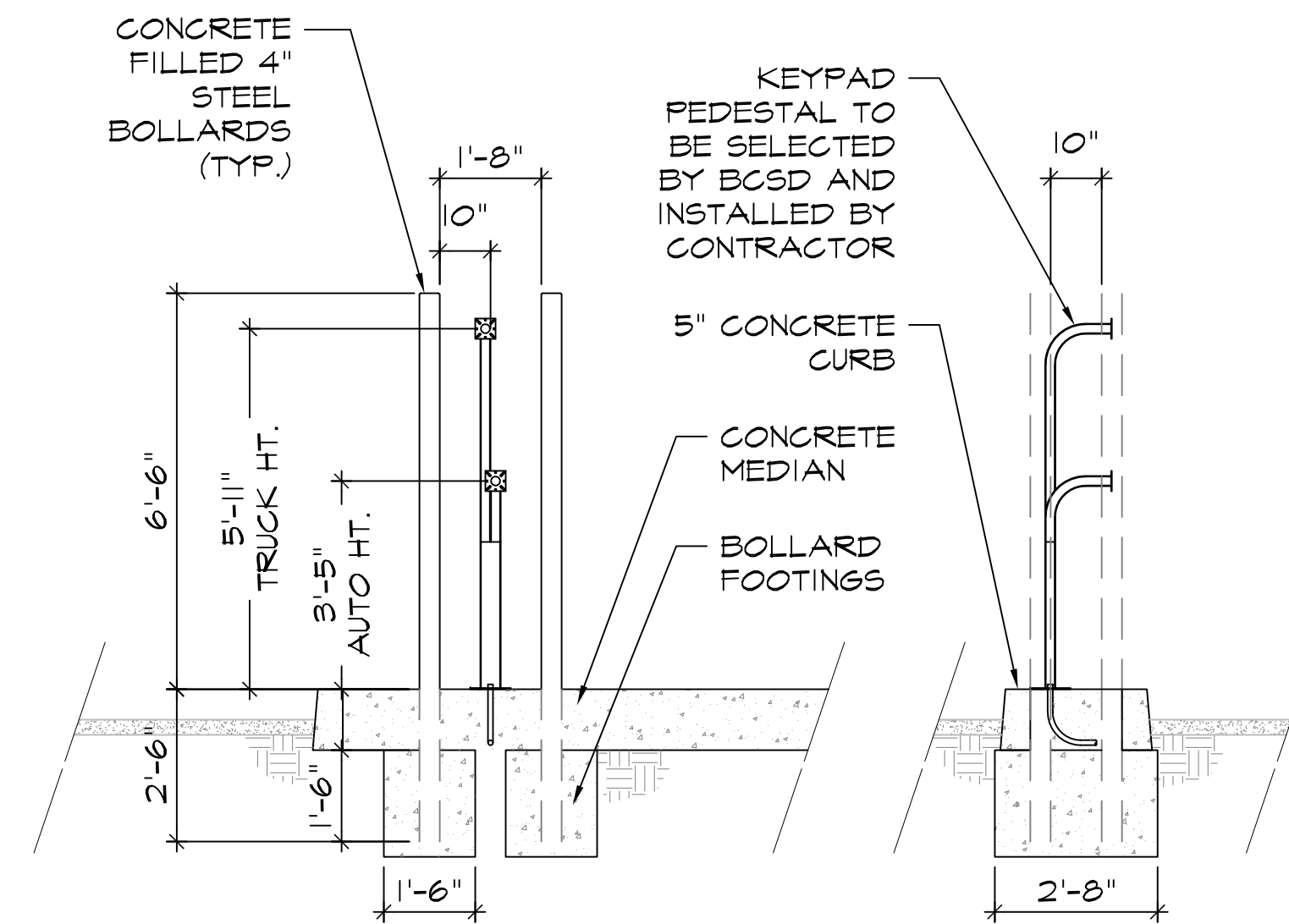


\* NOTE: ACCESS CONTROL KEYPAD TO BE PROVIDED AND INSTALLED BY BCSD

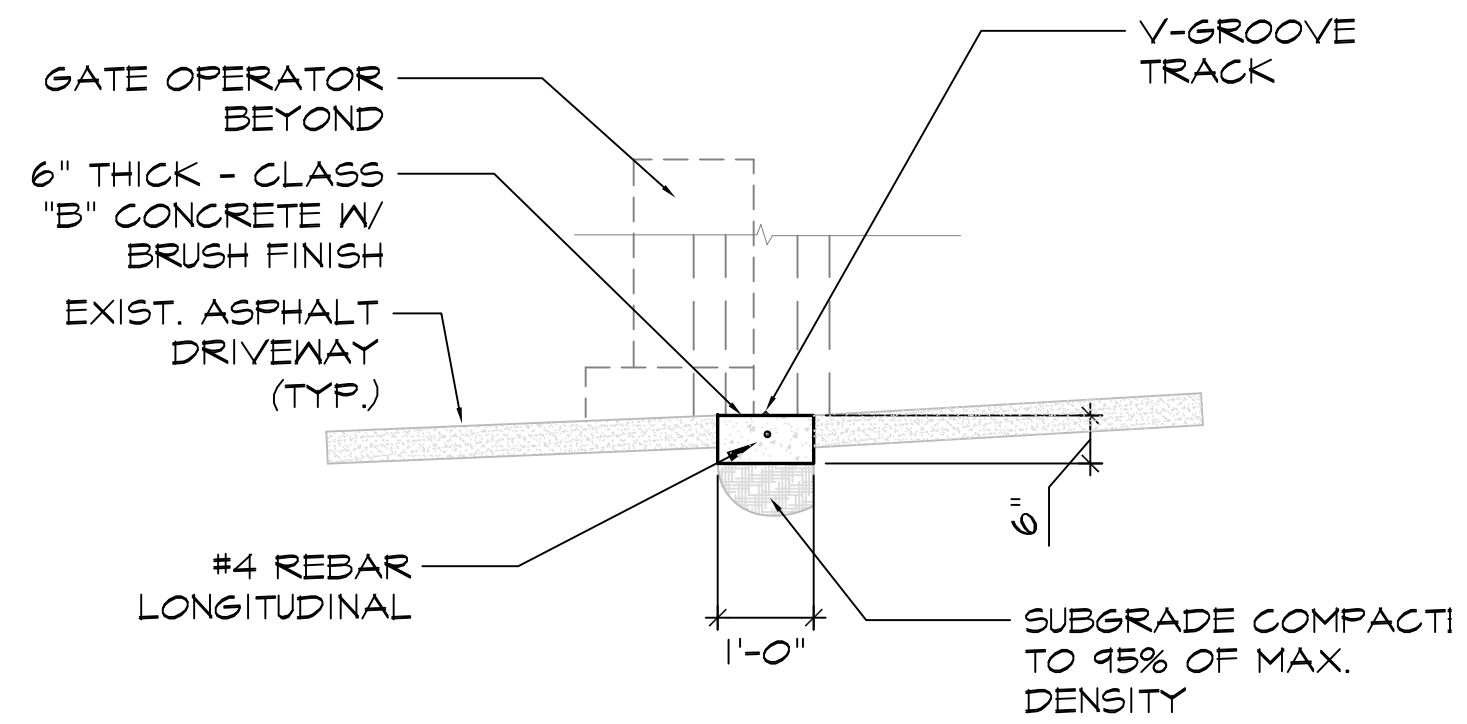


1 KEYPAD MEDIAN AT ENTRY

SCALE: 1/2"=1'-0" (IN FEET)

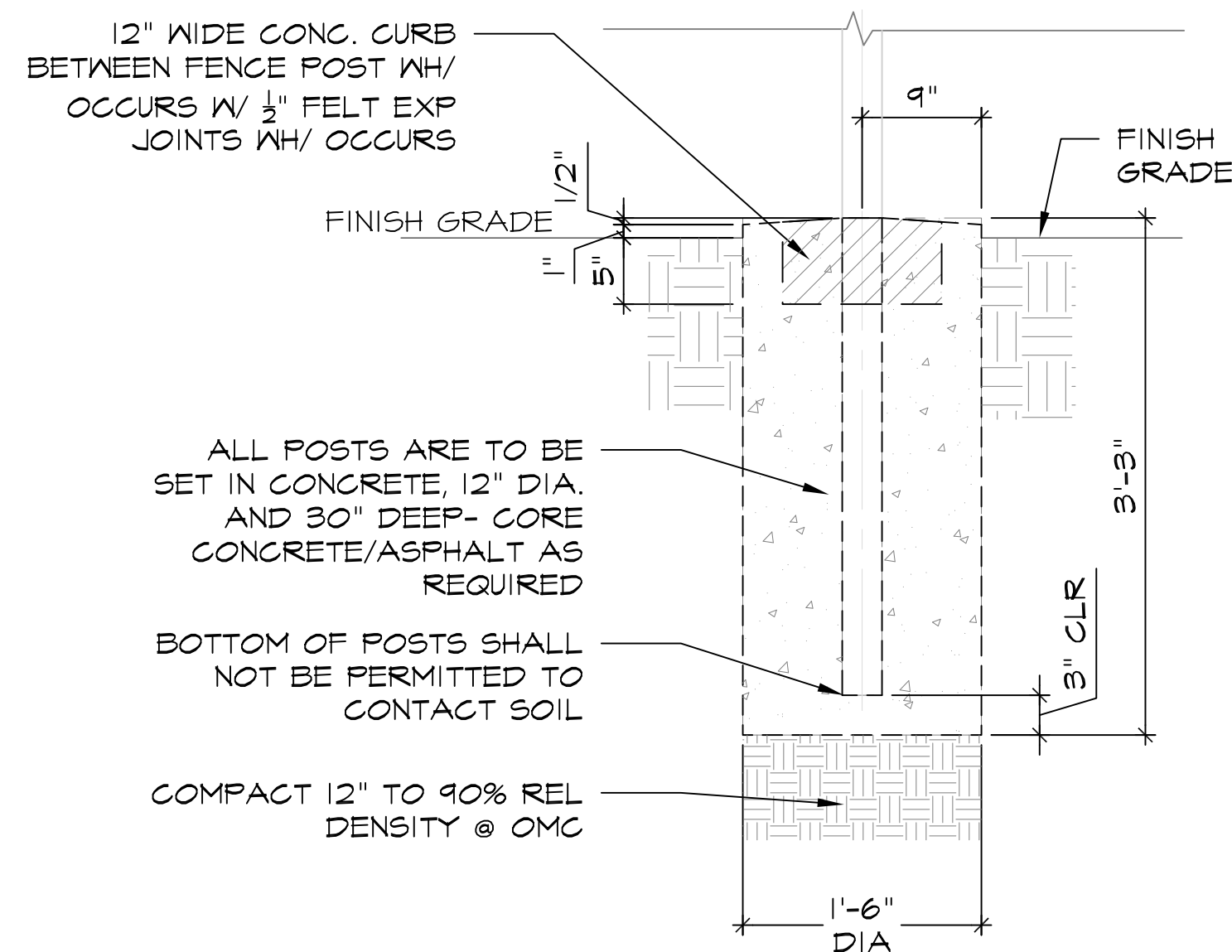
2 PEDESTAL BOLLARD DET.

SCALE: 3/8"=1'-0" (IN FT)



3 GATE TRACK

SCALE: 1/2"=1'-0" (IN FEET)



6 FENCING ELEVATION

SCALE: 1/8"=1'-0" (IN FEET)

KNOXBOX 3200

The KnoxBox 3200 is the number one high-security key lock box trusted by first responders and property owners. Store up to 10 keys to quickly gain rapid access to commercial properties.

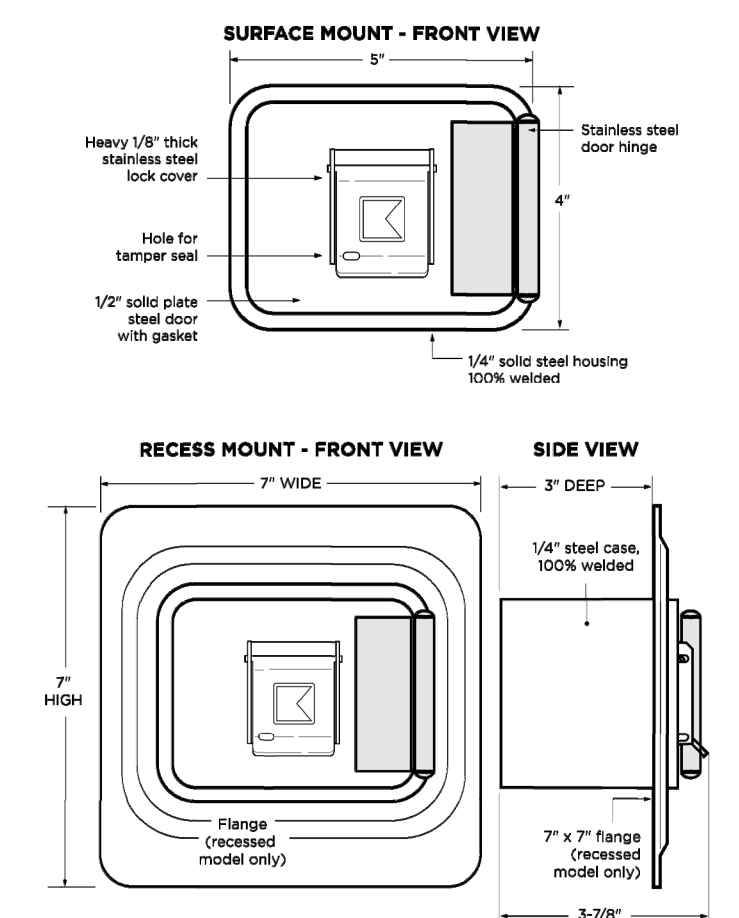


Available in 3 colors:  
Black Aluminum Dark Bronze

- FEATURES**
- Stores maximum 10 keys. Access cards and small entry items may also fit in interior compartment but will reduce max key quantity.
  - Built Knox-Rugged and secure: UL 1037, UL 1610, UL 1332, UL 437
  - Finished with Knox-Coat® to protect four times better than standard powder coat
  - Weather-resistant door gasket
  - Hinged door
- BENEFITS**
- Allows rapid property access
  - Reduces property damage
  - Prevents forced entry into buildings
  - Minimizes first responder injury
  - Compliant to National Fire Code (NFPA, IPC, IBC)

**WEIGHT:** Surface Mount - 8 lb, Recessed Mount - 9 lb

**DIMENSIONS:** Surface Mount Body - 4"H x 5"W x 3-7/8"D, Recessed Mount Flange - 7"H x 7"W



- OPTIONS**
- Knox Tamper Alert connects to building's alarm system for extra security
  - Mount types: Recessed and Surface
  - 3 color options: Black, Aluminum, Dark Bronze
- ACCESSORIES**
- Multi-Purpose Switch for use on electrical doors, gates and other electrical equipment
  - Recess Mounting Kit for new concrete or masonry construction
  - Public Safety Labels
  - Tag-Out Tamper Seals
  - Key Tags
  - Key Rings

**ORDERING SPECIFICATIONS**

To insure procurement and delivery of the KnoxBox 3200, it is suggested that following specification paragraph is used:

KnoxBox surface/recessed mount with hinged door, with/without UL Listed Knox Tamper Alert, 1/4" plate steel housing, 1/2" thick steel door with interior gasket seal and stainless steel door hinge. Box and lock UL Listed. Lock has 1/8" thick stainless steel dust cover with tamper seal mounting capability.

**Exterior Dimensions:** Surface Mount Body - 4"H x 5"W x 3-7/8"D, Recessed Mount Flange - 7"H x 7"W

**Lock:** UL Listed. Double-action rotating tumblers and hardened steel pins accessed by a biased cut key.

**Finish:** Knox-Coat proprietary finishing process

**Color:** Black, Dark Bronze or Aluminum

**P/N:** KnoxBox 3200 (mfr's cat. ID)

**Mfr's Name:** KNOX COMPANY

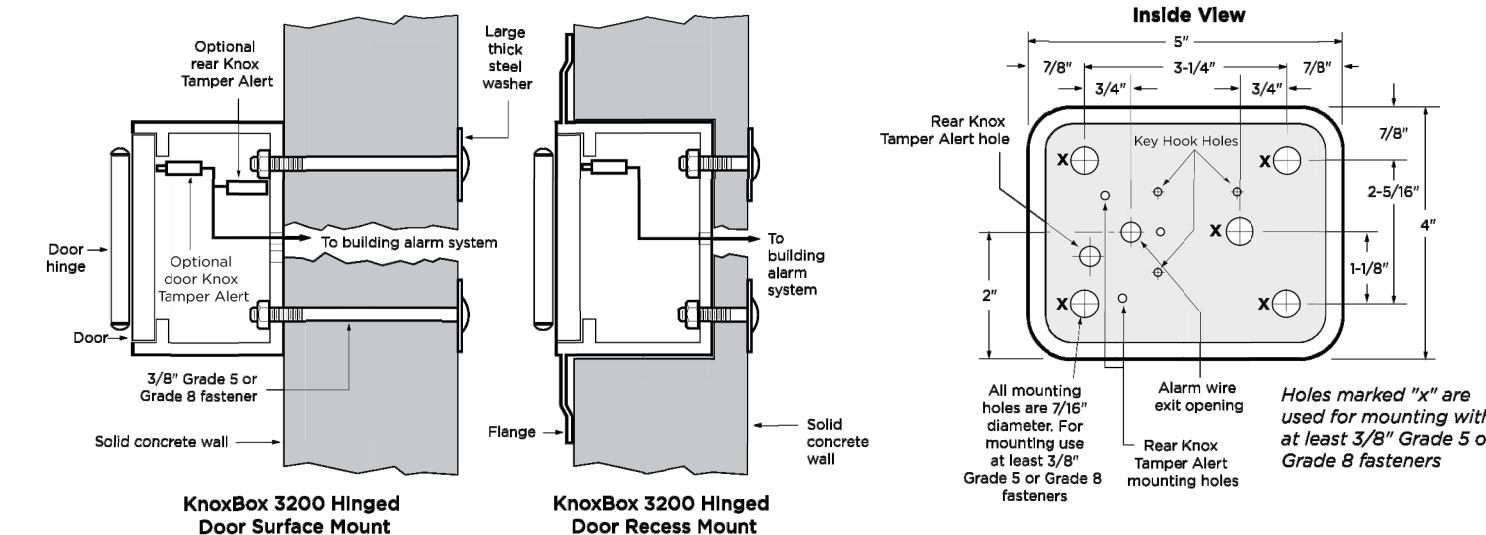
1601 W. DEER VALLEY RD. PHOENIX, AZ 85027 | T. 800-704-0889 | TECHSUPPORT@KNOXBOX.COM | KNOXBOX.COM

KNOXBOX 3200

**GENERAL MOUNTING INSTRUCTIONS**

Suggested minimum mounting height, 6 feet above ground.

**ATTENTION:** KnoxBox is a very strong device that MUST be mounted properly to ensure maximum security and resist physical attack.

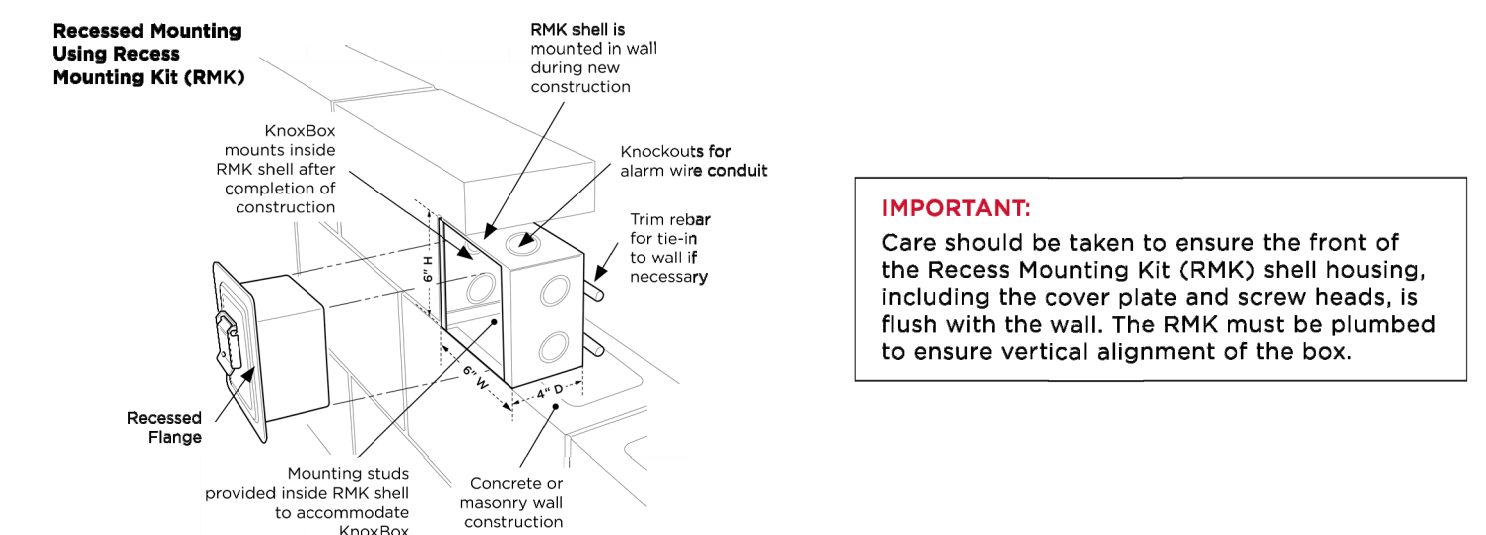


**RECESS MOUNTING KIT AND INSTALLATION INSTRUCTIONS**

The Recess Mounting Kit (RMK) includes shell housing and mounting hardware, which may only be used for recessed models to cast-in-place within new concrete or masonry construction. The KnoxBox is mounted into the shell housing after construction is completed.

**RECESS MOUNTING KIT DIMENSIONS**

Rough-in Dimensions: 6-1/2"H x 6-1/2"W x 5"D



**IMPORTANT:** Care should be taken to ensure the front of the Recess Mounting Kit (RMK) shell housing, including the cover plate and screw heads, is flush with the wall. The RMK must be plumbed to ensure vertical alignment of the box.

**ABOUT THE KNOX COMPANY**

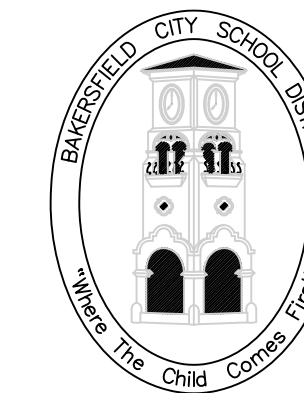
Since 1975, the Knox Company has successfully developed innovative rapid access solutions for first responders with products that provide fast, safe, and secure entry into commercial, industrial, and residential properties, while minimizing damage and maximizing safety. Today, more than 15,000 fire, EMS, and law enforcement departments/agencies depend on Knox products to gain access into over one million buildings/properties.

**KNOX COMPANY**  
1601 W. DEER VALLEY RD  
PHOENIX, AZ 85027

T. 800-566-9269

**KNOXBOX.COM**  
INFO@KNOXBOX.COM

APPROVAL STAMP



BAKERSFIELD CITY SCHOOL DISTRICT

EDUCATION CENTER  
1300 BAKER STREET  
BAKERSFIELD, CA 93305  
Ph: 661.631.4600  
Fax: 661.326.1465

DEPARTMENT:

MAINTENANCE, OPERATIONS & FACILITIES

1601 PELIZ DRIVE  
BAKERSFIELD, CA 93307  
PHONE: (661) 661-9605  
FAX: (661) 661-9606

PROJECT:

GATE AND FENCING REPLACEMENT

DRAWINGS FOR:

SPECIAL ED/ HEALTH SERV.  
222 34th STREET  
BAKERSFIELD, CA 93301

CONSULTANT:

PORTER & ASSOC.  
1707 EYE STREET, SUITE III  
BAKERSFIELD, CA 93301

REV. NO.:

1

TITLE:

SHEET TITLE:

DETAILS

PROJECT NO.:

00000.00-41-DM

SHEET NO.:

A-302

RELEASE:

DATE: 4/16/24

7 KNOXBOX 3200 SPECIFICATIONS

NTS