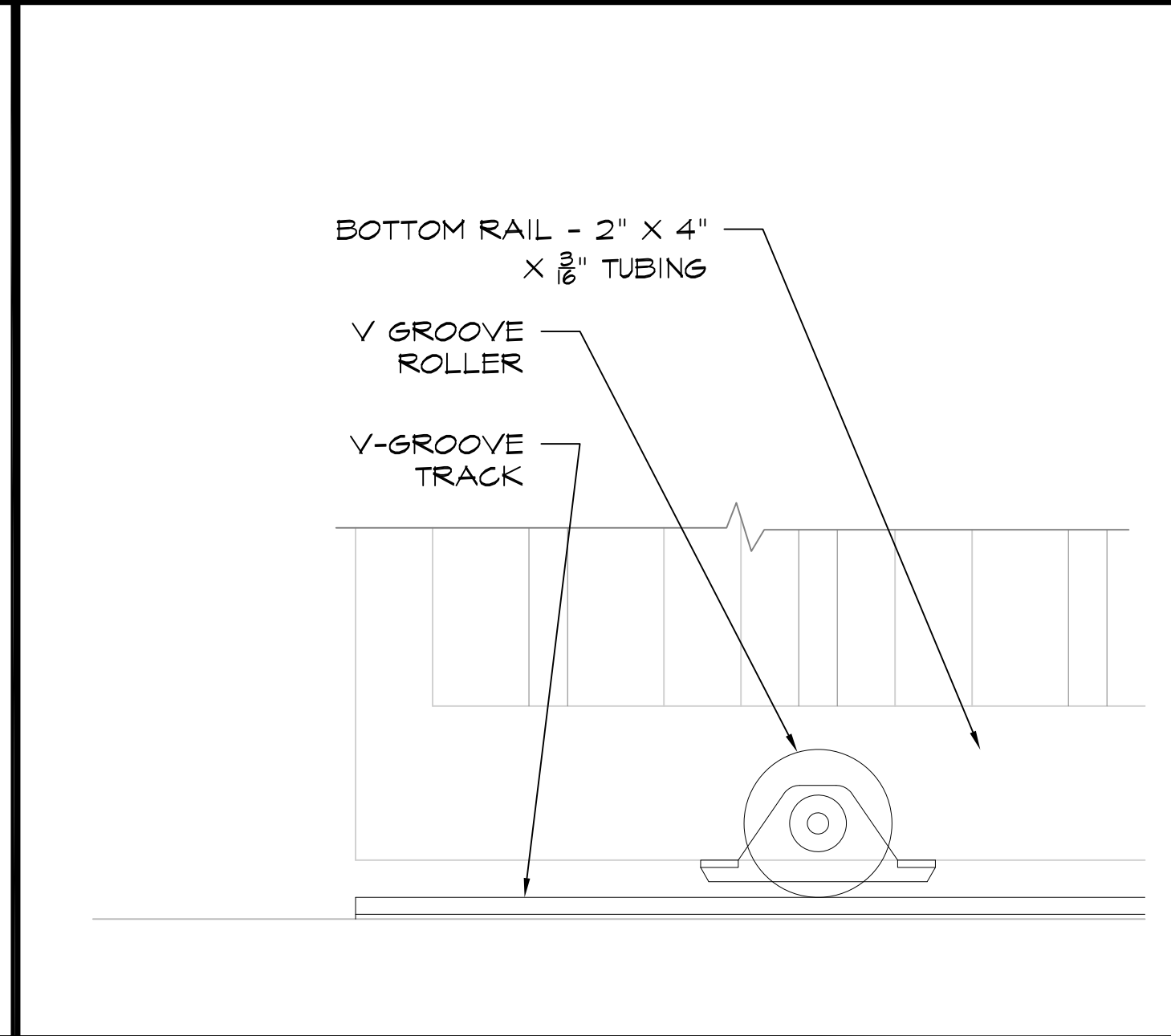
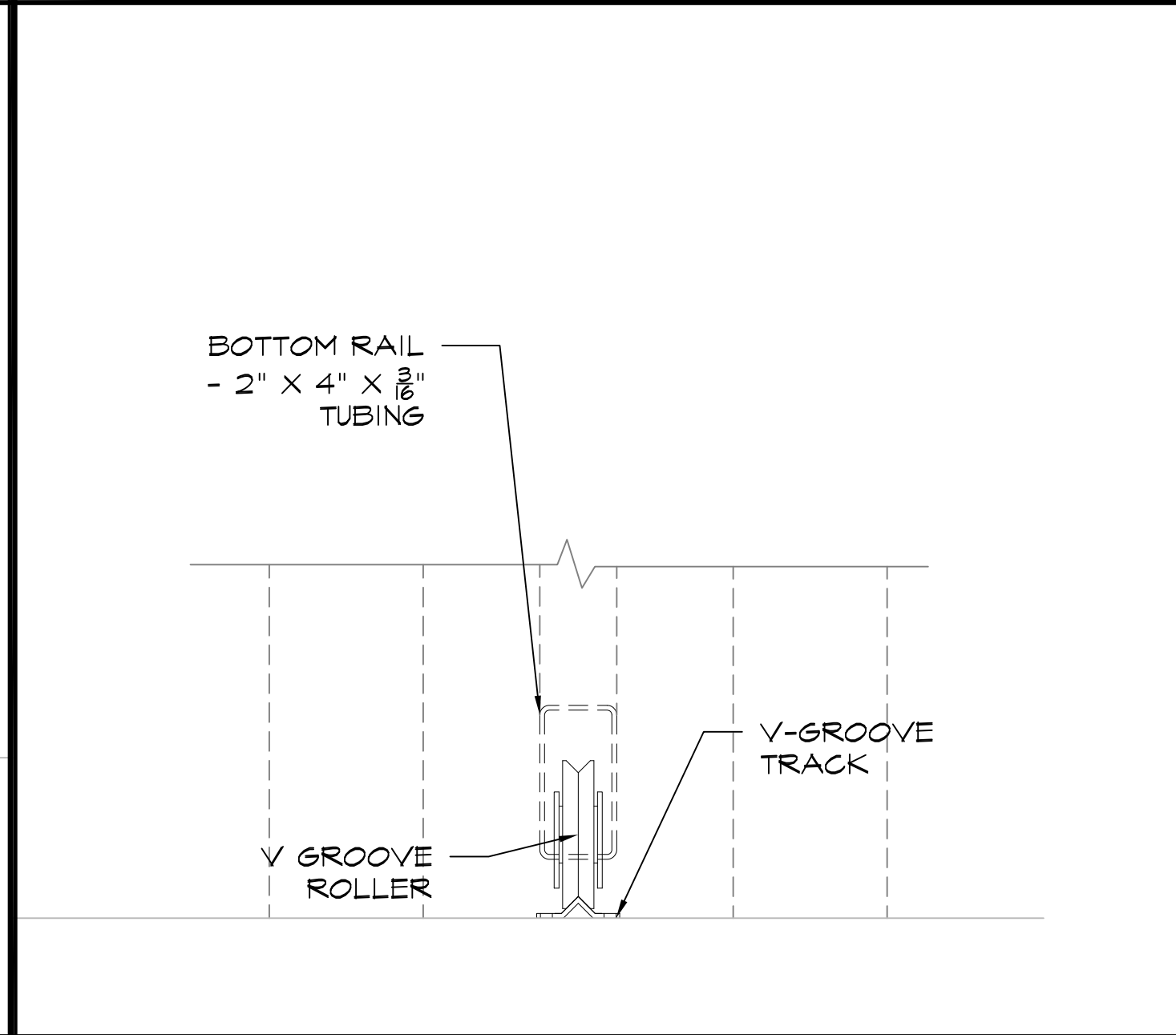
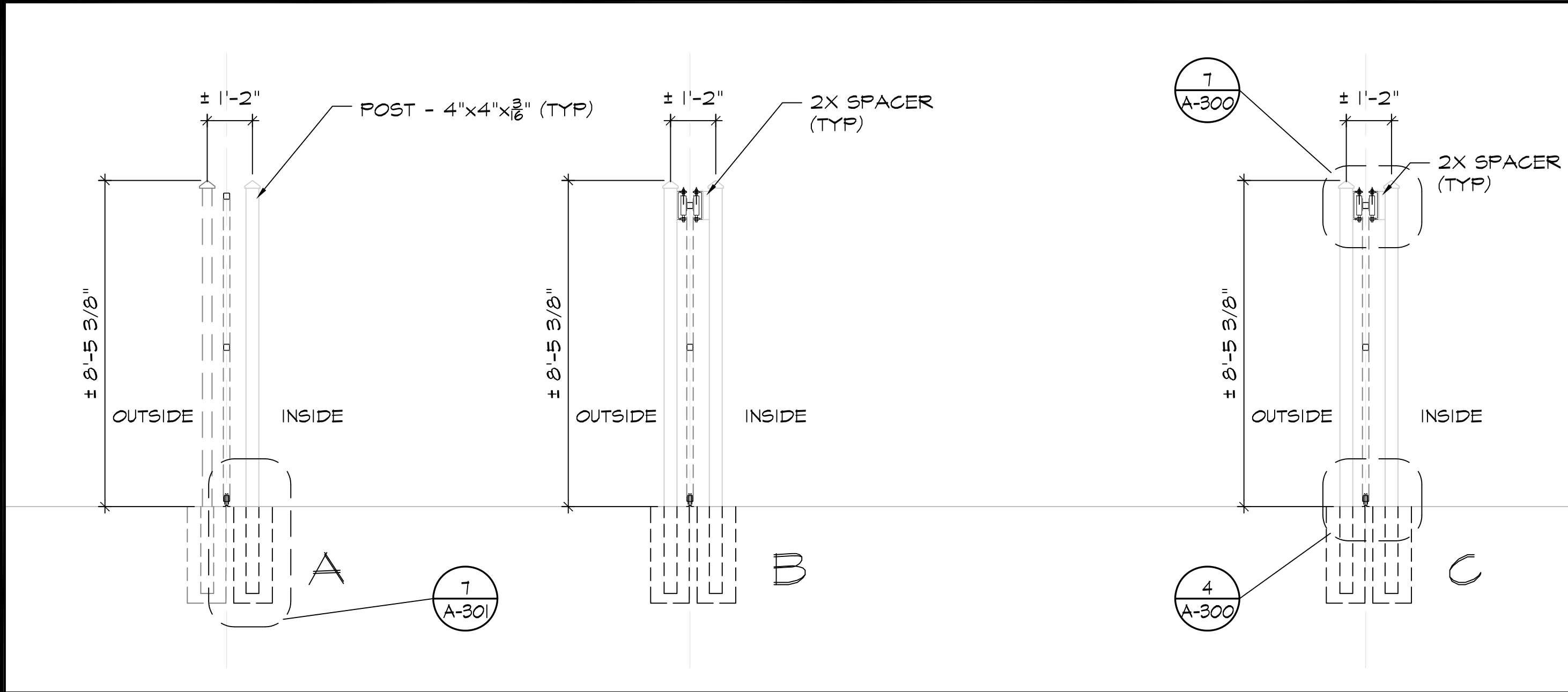


1 SUPPORT POST ELEVATION SCALE: 3/8"=1'-0" (IN FT) 0 1' 2' 4'

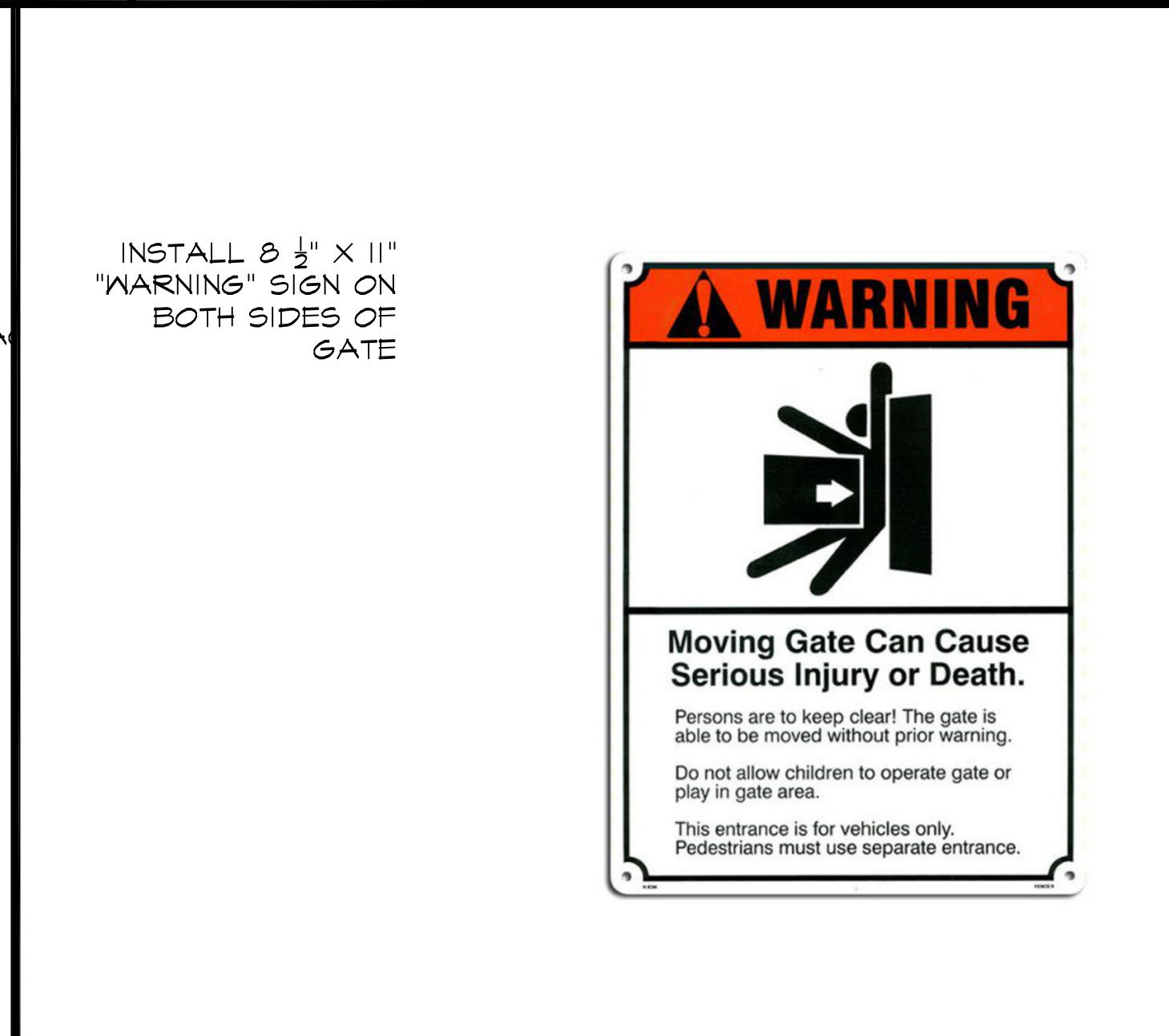
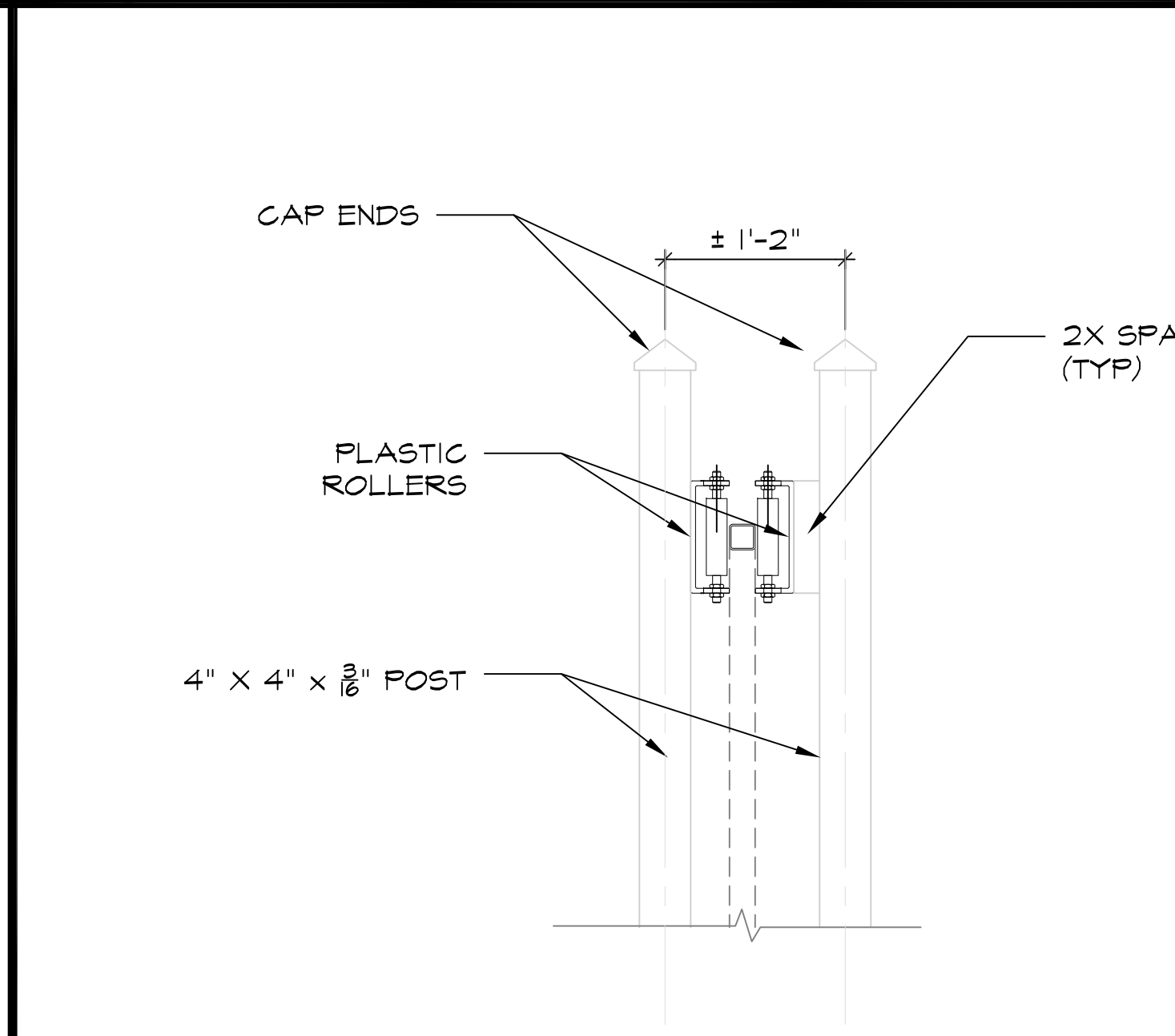
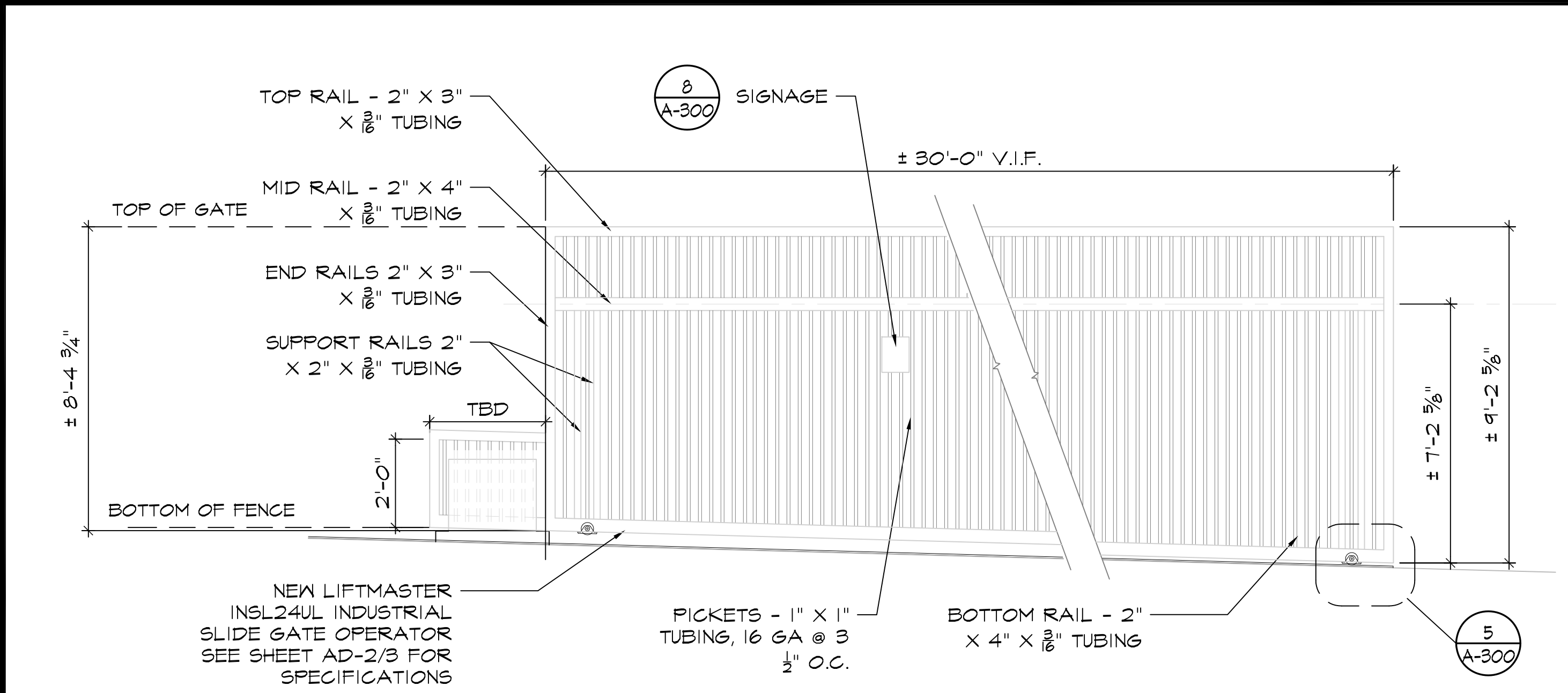
2 GATE TRACK AND POST - LEFT SLIDE SCALE: 3/8"=1'-0" (IN FT) 0 1' 2' 4'



3 SUPPORT POST PROFILE ELEVATIONS SCALE: 3/8"=1'-0" (IN FT) 0 1' 2' 4'

4 V-GROOVE WHEEL SCALE: 3/4"=1'-0" (IN INCHES) 0 3' 6' 9'

5 V-GROOVE WHEEL SCALE: 3/4"=1'-0" (IN INCHES) 0 3' 6' 9'



6 GATE PANEL ELEVATION SCALE: 3/8"=1'-0" (IN FT) 0 1' 2' 4'

7 ROLLER DETAIL SCALE: 1"=1'-0" (IN FEET) 0 1/2' 1' 2'

8 GATE WARNING SIGN NTS

APPROVAL STAMP

BAKERSFIELD CITY SCHOOL DISTRICT
 EDUCATION CENTER
 1300 BAKER STREET
 BAKERSFIELD, CA 93305
 PH: 661.631.4600
 FAX: 661.326.1485

DEPARTMENT:
MAINTENANCE, OPERATIONS & FACILITIES
 1801 PELIZ DRIVE
 BAKERSFIELD, CA 93307
 PHONE: (661) 681-8888
 FAX: (661) 684-4956

PROJECT:
GATE AND FENCING REPLACEMENT

DRAWINGS FOR:
SPECIAL ED/ HEALTH SERV.
 222 34th STREET
 BAKERSFIELD, CA 93301

CONSULTANT:
PORTER & ASSOC.
 1707 EYE STREET, SUITE III
 BAKERSFIELD, CA 93301

REV. NO.:	TITLE:
1	

SHEET TITLE:
DETAILS

PROJECT NO.:
 00000.00-41-DM

SHEET NO.:
A-300

RELEASE:
 DATE: 4/16/24