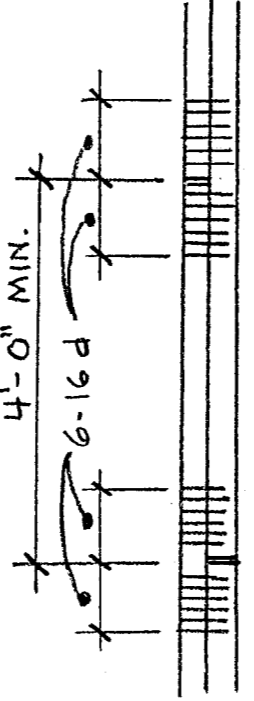
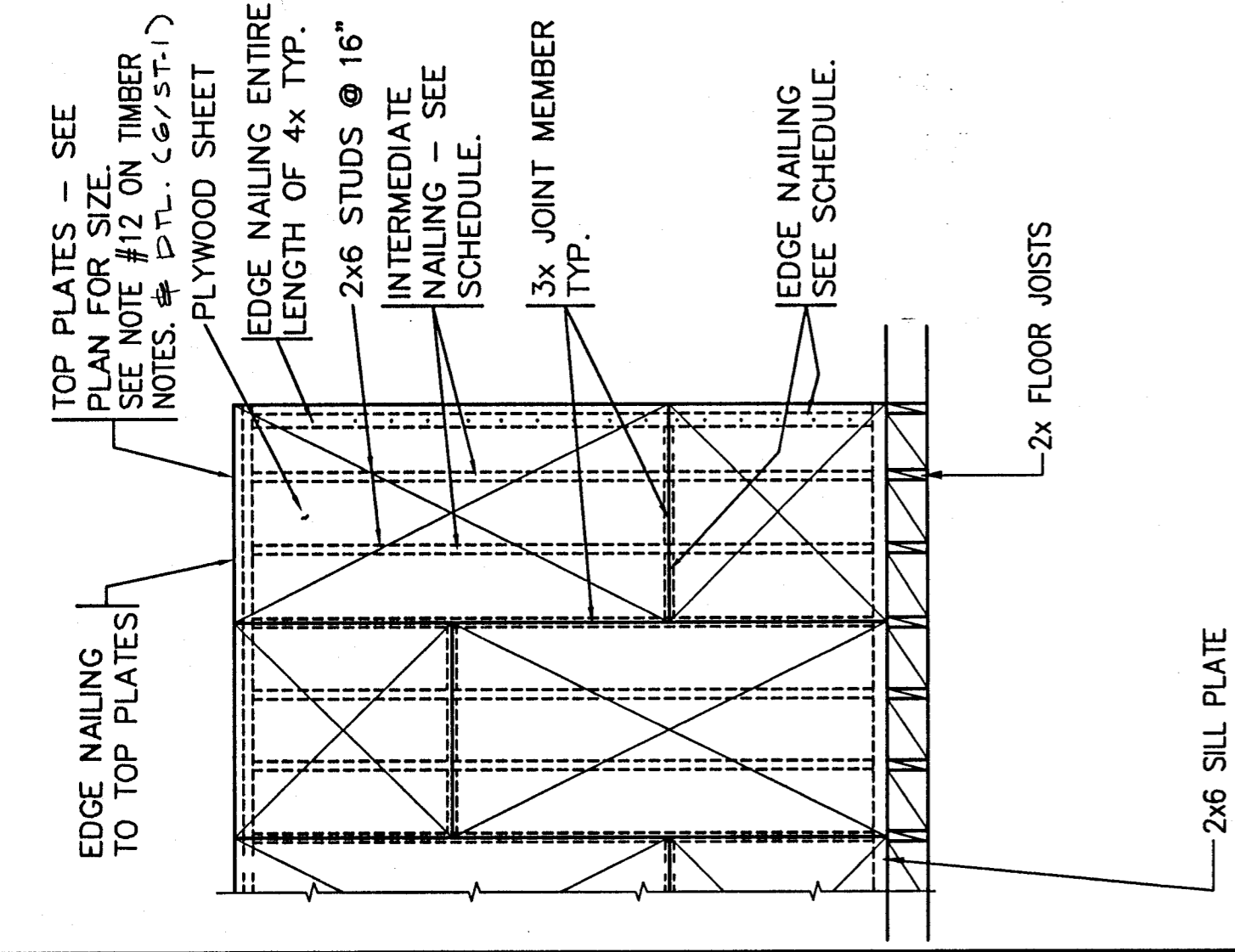


5
TYPICAL STUD WALL OPENING DETAIL

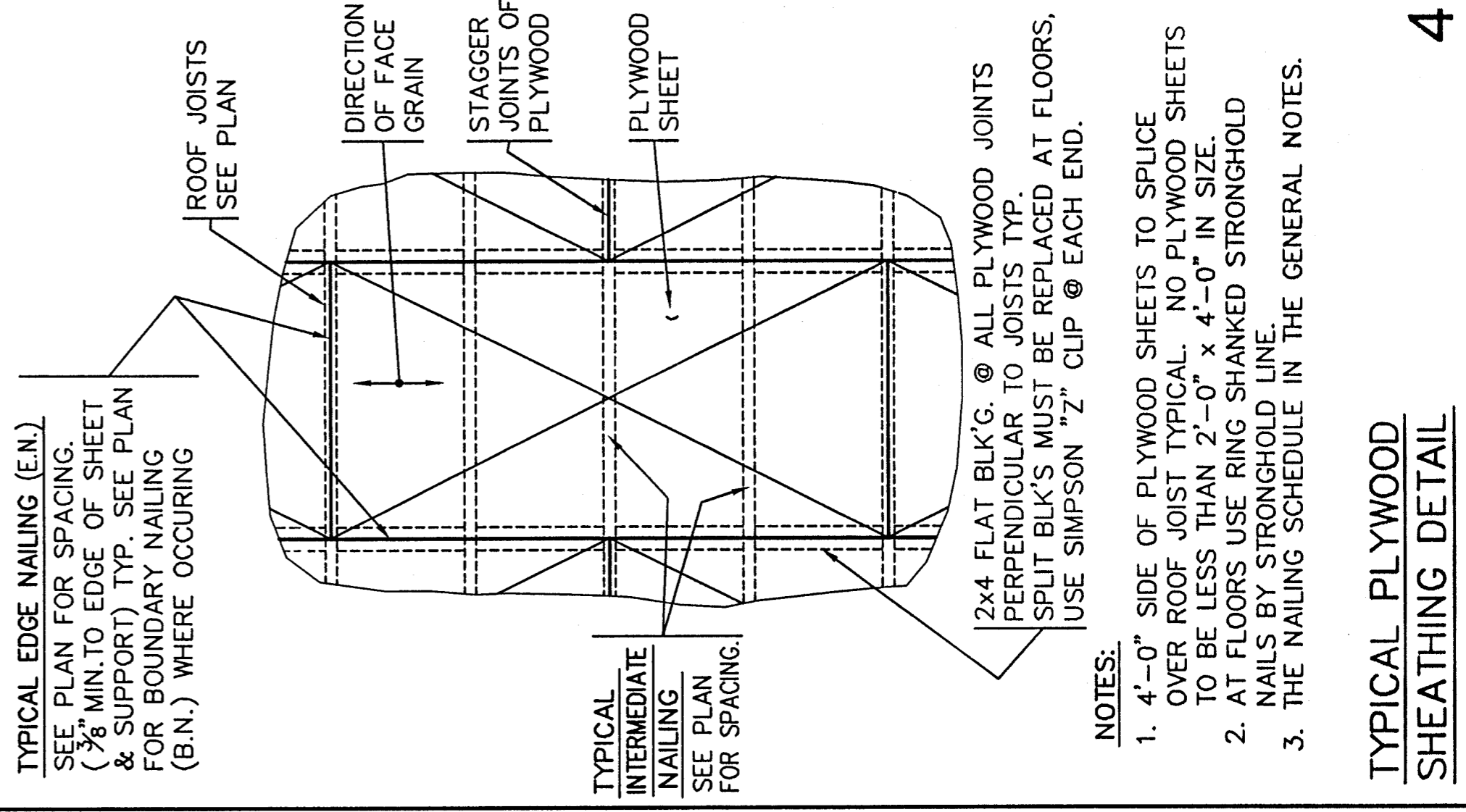


6
TYPICAL TOP PLATE SPLICE



3
TYPICAL SHEAR PANEL DETAIL

- NOTES:**
1. ALL PLYWOOD TO BE 1/2" PLYWOOD UNLESS OTHERWISE NOTED.
 2. NO PLYWOOD TO BE LESS THAN 2'-0" WIDE.
 3. ALL NAILING TO BE 3/8" MIN. TO EDGE OF SUPPORT AND SHEET.
 4. GAP PLYWOOD SHEETS 1/8" MIN. TYPICAL.
 5. SHEATH ENTIRE WALL BETWEEN CROSS WALLS TO AVOID LETTING IN OF PLYWOOD SHEATHING.



4
TYPICAL PLYWOOD SHEATHING DETAIL

- NOTES:**
1. 4'-0" SIDE OF PLYWOOD SHEETS TO SPLICE OVER ROOF JOIST TYPICAL. NO PLYWOOD SHEETS TO BE LESS THAN 2'-0" x 4'-0" IN SIZE.
 2. AT FLOORS USE RING SHANKED STRONGHOLD NAILS BY STRONGHOLD LINE.
 3. THE NAILING SCHEDULE IN THE GENERAL NOTES.

GENERAL NOTES

- SOIL CONDITIONS**
1. DESIGN SOIL BEARING VALUE IS 1000 PSF.
- TIMBER NOTES**
1. ALL FRAMING LUMBER SHALL BE GRADE MARKED DOUGLAS FIR-LARCH (GRADING RULE NO.17). FRAMING LUMBER: JOISTS & PLANKS - NO. 1 (123-b) BEAMS & STRINGERS - SELECT STRUCTURAL (130-o)(1600Fb) POSTS & TIMBERS - NO.1 STRUCTURAL (131-b)(1200Fb) GLUED LAMINATED TIMBERS - COMBINATION 24F-V8 ALL OTHER LUMBER: "CONSTRUCTION" LIGHT FRAMING (122-b)(1050Fb). SILL PLATES SHALL BE PRESSURE TREATED DOUGLAS FIR UNLESS OTHERWISE NOTED.
 2. ALL 2x LUMBER SHALL HAVE A MAXIMUM MOISTURE CONTENT OF 19%.
 3. STUDS SHALL BE SPACED @ 16" O.C. MAX. UNLESS NOTED OTHERWISE & OF THE SIZE SHOWN ON THE PLANS AND/OR SECTIONS.
 4. NO STRUCTURAL MEMBERS SHALL BE CUT FOR PIPES, VENTS, DUCTS & OTHER SIMILAR OPENINGS EXCEPT AS DETAILED OR SPECIFIED.
 5. 2x SOLID BLOCKING SHALL BE PLACED BETWEEN ALL JOISTS AND RAFTERS AT ALL POINTS OF SUPPORTS AND UNDER ALL SUPPORTED TRANSVERSE PARTITIONS. 2x3 OR 1x4 CROSS BRIDGING OR 2" SOLID BLOCKING FULL DEPTH SHALL BE PLACED BETWEEN ALL JOIST AND RAFTERS (GREATER THAN 8" IN DEPTH) AT 8 FOOT INTERVALS. APPROVED NAILABLE TYPE METAL CROSS BRIDGING OF EQUAL STRENGTH MAY BE USED IN LIEU OF CROSS BRIDGING.
 6. BOLTS FASTENING WOOD MEMBERS TOGETHER SHALL BE FITTED WITH STANDARD CUT WASHERS. HOLES FOR BOLTS SHALL BE BORED 1/32" LARGER THAN THE NOMINAL BOLT DIAMETER.
 7. PLYWOOD SHALL CONFORM TO PS 1-83 STRUCTURAL LUMBER UNLESS NOTED OTHERWISE.
 8. TYPE OF JOIST HANGER INDICATED ON THE PLANS IS FOR GENERAL GUIDANCE. IT IS THE CONTRACTOR'S RESPONSIBILITY TO USE THE APPROPRIATE HANGER.
 9. FOR STANDARD NAILING REFER TO TABLE 23A-I-Q NAILING SCHEDULE U.B.C. 1994 WITH CALIFORNIA AMENDMENTS 1995.
 10. DOUBLE TOP PLATES ON ALL EXTERIOR AND BEARING PARTITIONS (NOT OTHERWISE DETAILED) SHALL LAP 4'-0" MIN. AT SPLICES AND HAVE 6- 16d MIN. THRU LAP.

DESIGN LOADS

1. SEISMIC COEFFICIENT: V = 0.213 W (BASED ON 1997 U.B.C.) ZONE 4 SOIL TYPE S4, WITHIN 2 KM OF TYPE B FAULT IMPORTANCE FACTOR = 1.15
2. WIND: VELOCITY = 70 MPH, SITE EXPOSURE = "C"
3. ROOF LIVE LOAD: 20 PSF
4. FLOOR LIVE LOAD: 50 PSF

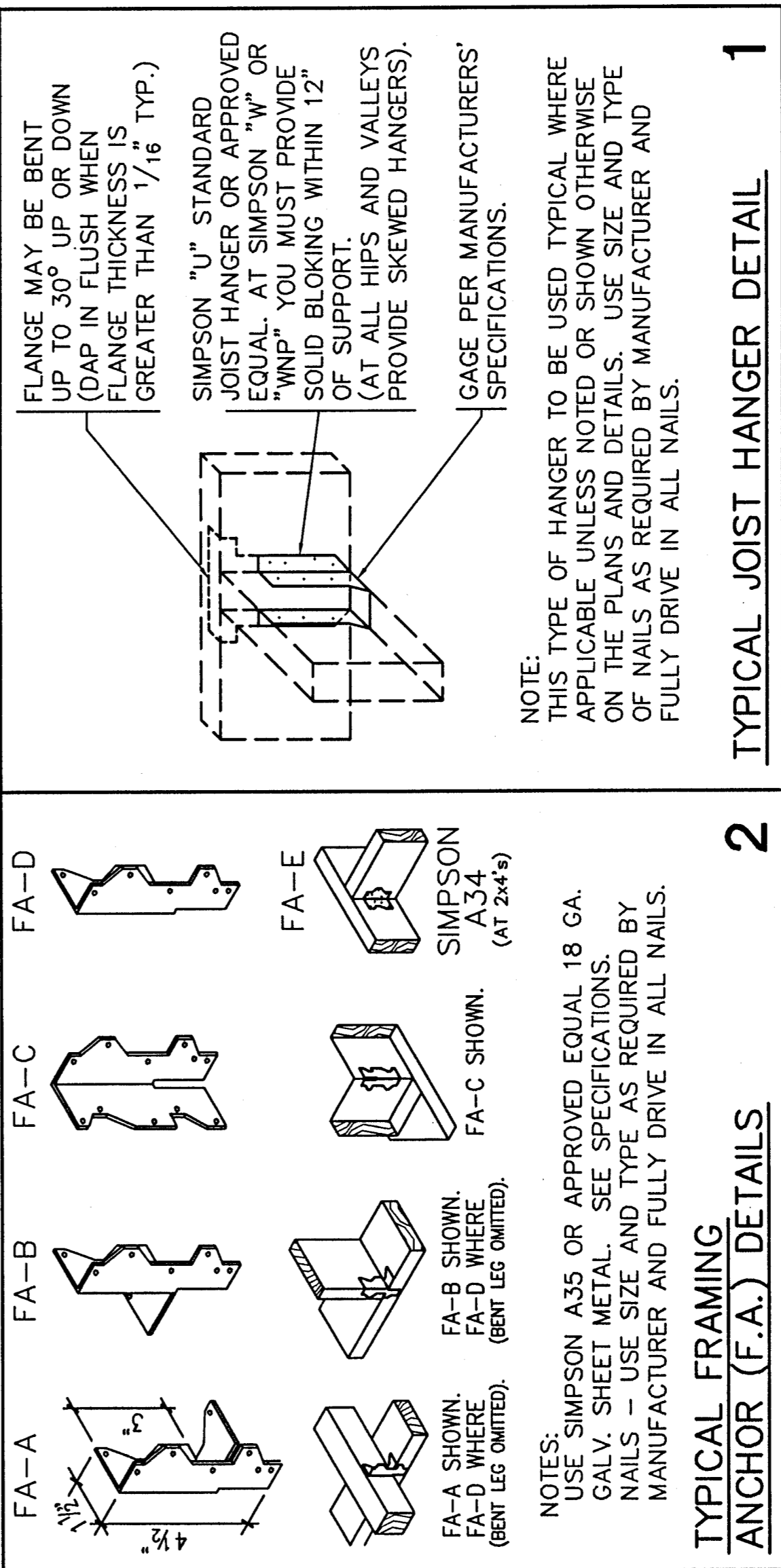
THIS BUILDING IS DESIGNED FOR SEISMIC FORCE LEVELS SPECIFIED IN THE 1997 U.B.C. AND THE DETAILING REQUIREMENTS OF 1994 U.B.C.

LEGEND

CONTINUOUS WOOD MEMBER IN SECTION	WOOD BLOCKING IN SECTION	ELEVATION SYMBOL	INDICATES REFERENCE FOR THE BALANCE OF THE SECTION

ABBREVIATIONS

	BLK'G BLOCKING		DOUBLE DFL
	E.N. EDGE NAILING		F.A. FACE OF STUDS
	F.L.J. FLOOR JOIST		GLB. GLUED LAM BEAM
	HGR HANGER		M.B. MACHINE BOLT
	R.J. ROOF JOIST		T.P. TOP OF PARAPET
	T.P.S. TOP OF PLYWOOD SHEATHING		TYP. U.N.O. UNLESS NOTED OTHERWISE



1
TYPICAL JOIST HANGER DETAIL

2
TYPICAL FRAMING ANCHOR (F.A.) DETAILS

- NOTES:**
1. USE SIMPSON A35 OR APPROVED EQUAL 18 GA. GALV. SHEET METAL. SEE SPECIFICATIONS.
 2. NAILS - USE SIZE AND TYPE AS REQUIRED BY MANUFACTURER AND FULLY DRIVE IN ALL NAILS.

			GENERAL NOTES AND TYPICAL DETAILS MODULAR BUILDING MODEL #960 S	JOB NO. 288 SHEET NO. ST-1	DATE 12-8-98 DRAWN M.M./J.R. M.M./J.R.
			7001 McDivite Drive, Bakersfield, CA 93313 P.O. Box 41765, Bakersfield, CA 93384-1765 Office 805-835-9270 Fax 805-835-8424	FILE NO. 05-10724 DIVISION OF THE STATE ARCHITECT OFFICE OF REGULATION SERVICES DATE MAR 09 1999	REVISIONS HILLMAN, BRIDGEMAN & LUEVINGTUN STRUCTURAL ENGINEERS 1222 S. FLOVER ST. 3RD FLOOR OAKLAND, CA 94612 (415) 774-1414 JOB NO. 9806-01