

ARCHITECT  
Glenn Hartzell - Architect, Inc.



STRUCTURAL  
HBL



CONSTRUCTION  
JTS

7001 McDevine Drive, Bakersfield, CA 93313  
P.O. Box 41765, Bakersfield, CA 93384-1765  
Office 805-835-9270  
Fax 805-835-8424

DETAILS AND DETAILS  
MODULAR BUILDING  
MODEL #960 S

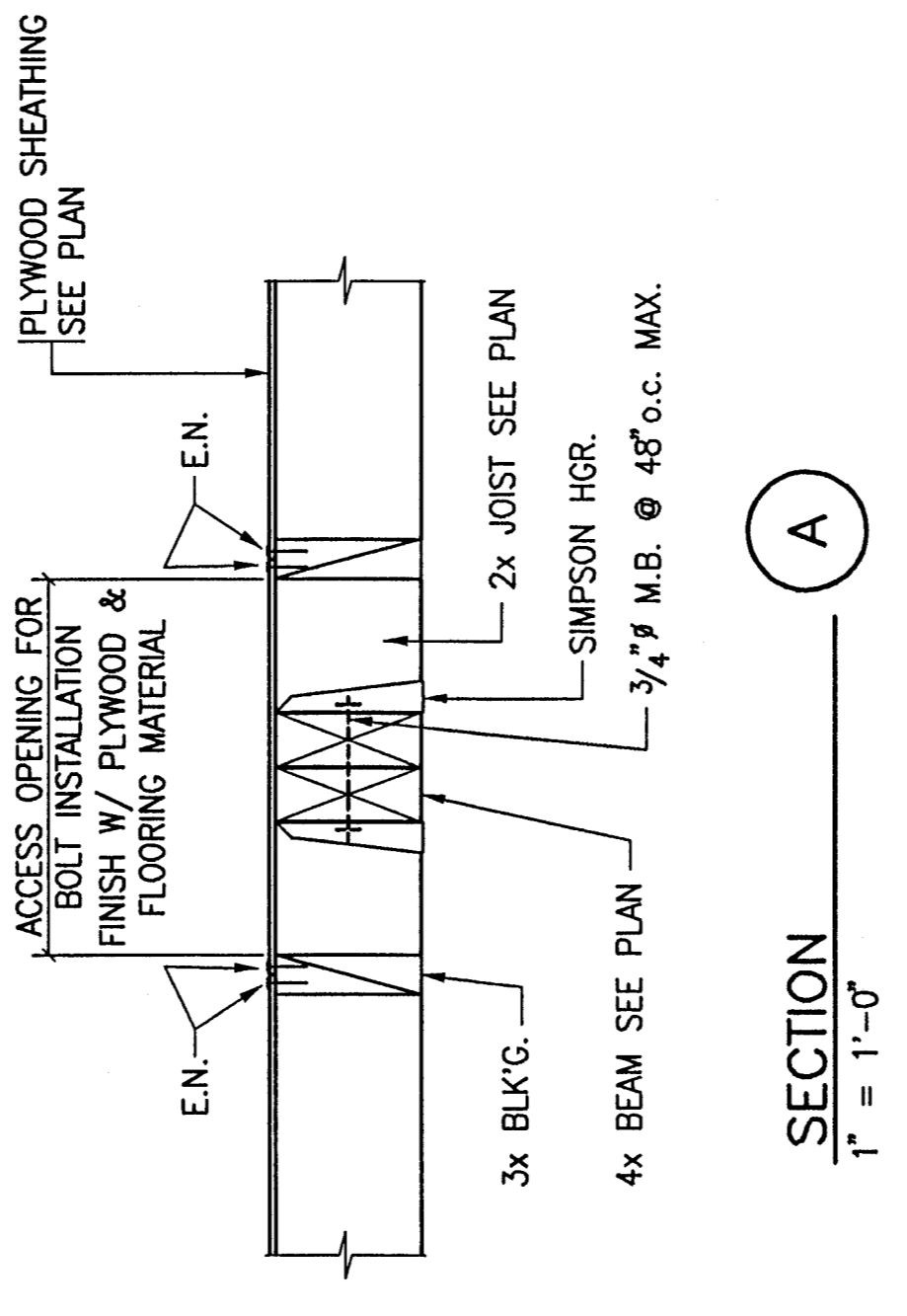
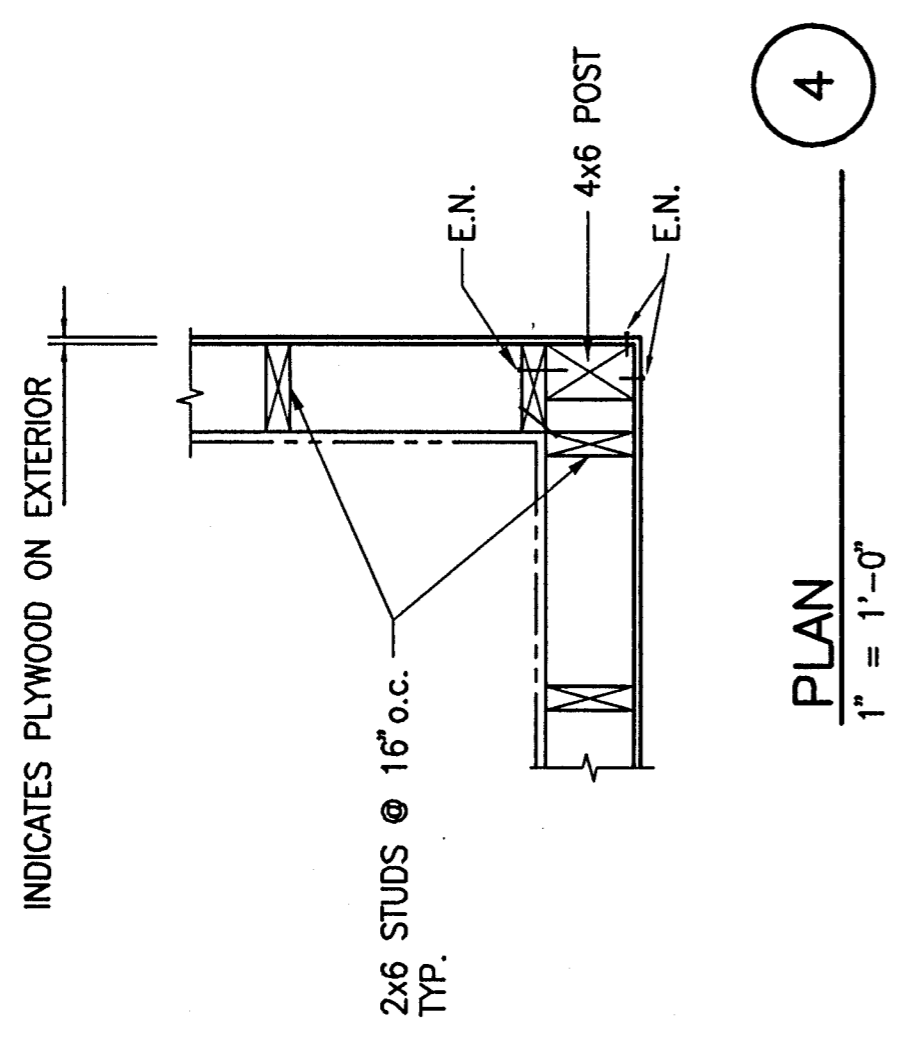
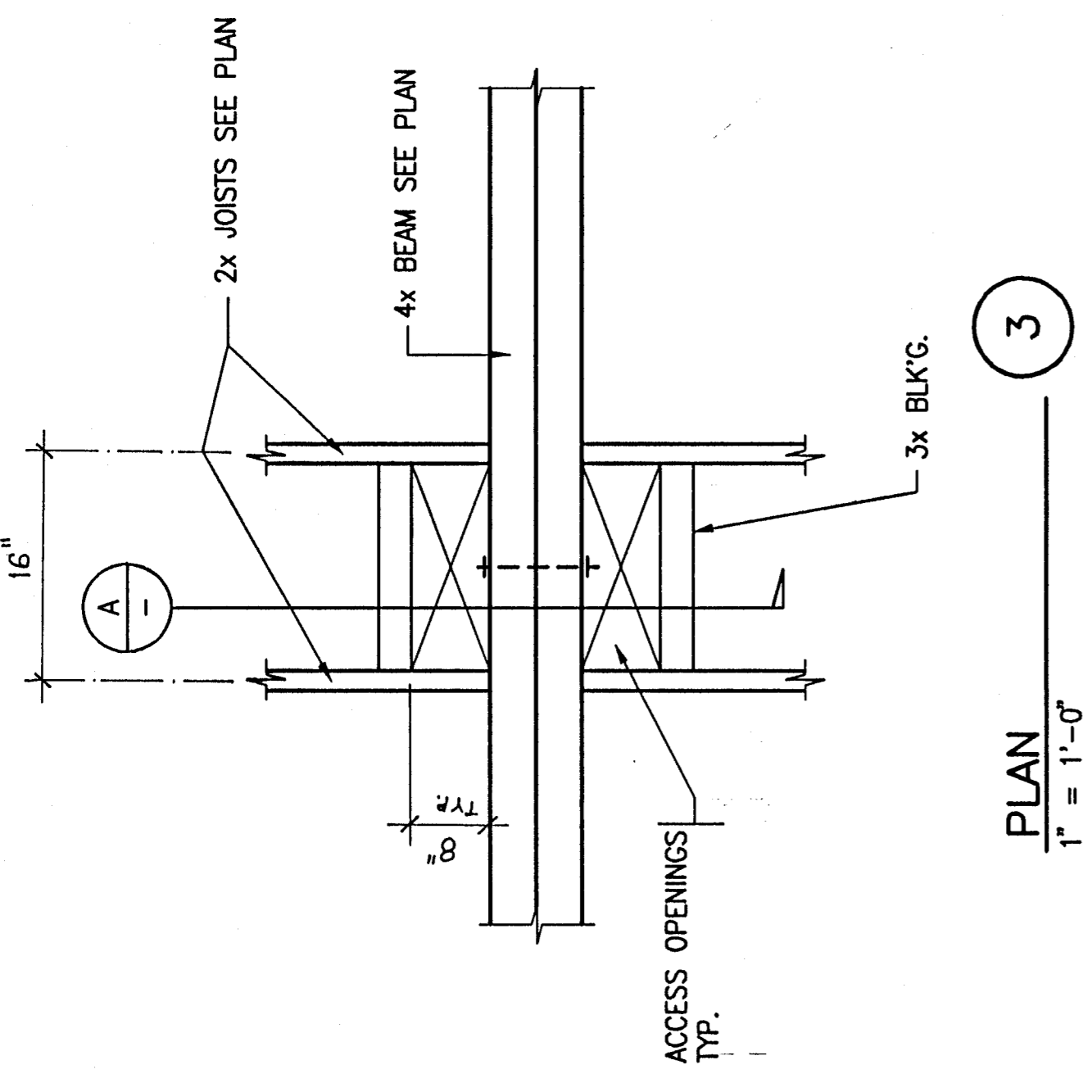
JOB NO. 288  
SHEET NO. S40  
DATE 12-8-98  
DRAWN J.R.

REGISTRATION STAMP  
DIV. OF THE STATE ARCHITECT  
OFFICE OF REGULATION SERVICES  
FILE NO. 05-10774  
DATE MAR 09 1999

HILLMAN, BOGDANSON & LEVENKOVICH  
STRUCTURAL ENGINEERS  
1500 W. 10TH ST., 3RD FLOOR  
BAKERSFIELD, CA 93311  
(805) 744-1414

D.S.A.

REVISIONS



TYP. CONNECTION OF UNITS 1  
1" = 1'-0"

