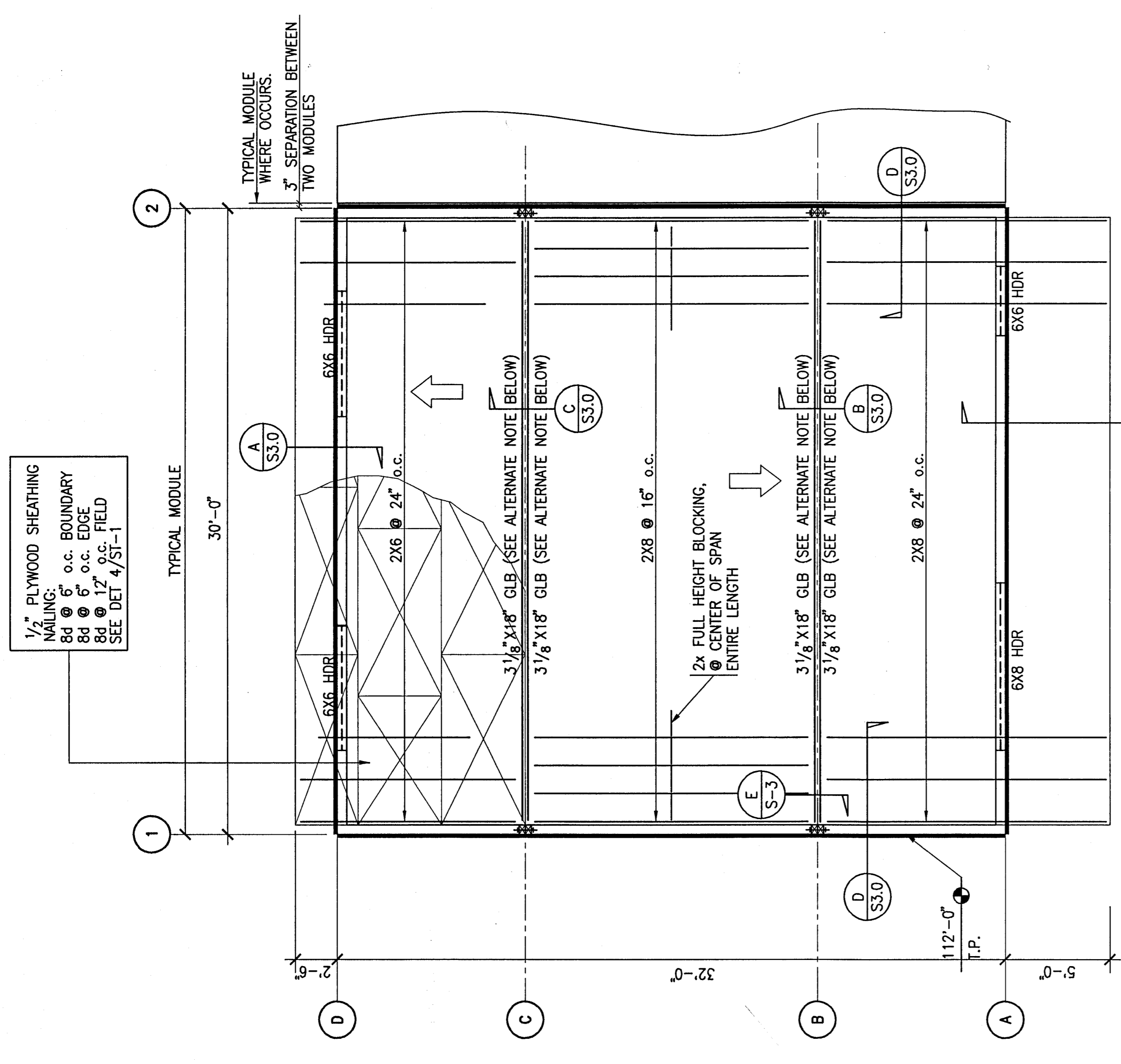


NO.	REVISIONS

HILLMAN, BIDDISON & LOEVENOUTH
 STRUCTURAL ENGINEERS
 12600 S. GOWER ST. 3RD FLOOR
 GARDEN GROVE, CA 92647
 (714) 774-1414

D.S.A.



* ALTERNATE BEAM OPTION IN LIEU OF 3 1/8" X 18" GLB, USE 3 1/2" X 16" MICRO-LAM BEAM (REPORT NO. NER-126) BY TRUSS JOIST, OR APPROVED EQUAL. REFER TO DSA PRODUCT ACCEPTANCE NUMBER PA-045 FOR CONDITIONS OF USE.

ROOF FRAMING PLAN

- NOTES
- REFER TO GENERAL NOTES AND TYPICAL DETAILS ON SHEET ST-1.
 - REFER TO AND CHECK WITH ARCHITECTURAL DRAWING FOR VARIOUS ROOF SLOPES, GUTTERS, VENTS, ETC., AND DIMENSIONS NOT SHOWN.
 - NO ELECTRICAL PANEL FIRE HOSE CABINET, ETC., NOT SHOWN ON THE STRUCTURAL DRAWINGS WILL BE PERMITTED IN ANY PLYWOOD SHEAR PANEL.
 - ALL WOOD MEMBERS THAT RECEIVE SHEATHING AND ALL WOOD MEMBERS WHERE THE SHEATHING IS NAILED, THERE TO SHALL BE CONTINUOUSLY SHAPED TO FIT THE SLOPE OF THE ROOF.
 - PROVIDE ADEQUATE DEFLECTION SPACE UNDER ALL BEAMS AND LINTELS, WHERE DOORS/WINDOWS OCCUR BELOW.
 - INDICATES 6XHEADER, SEE TYPICAL DETAIL 5/S1-1 FOR CONNECTION.

