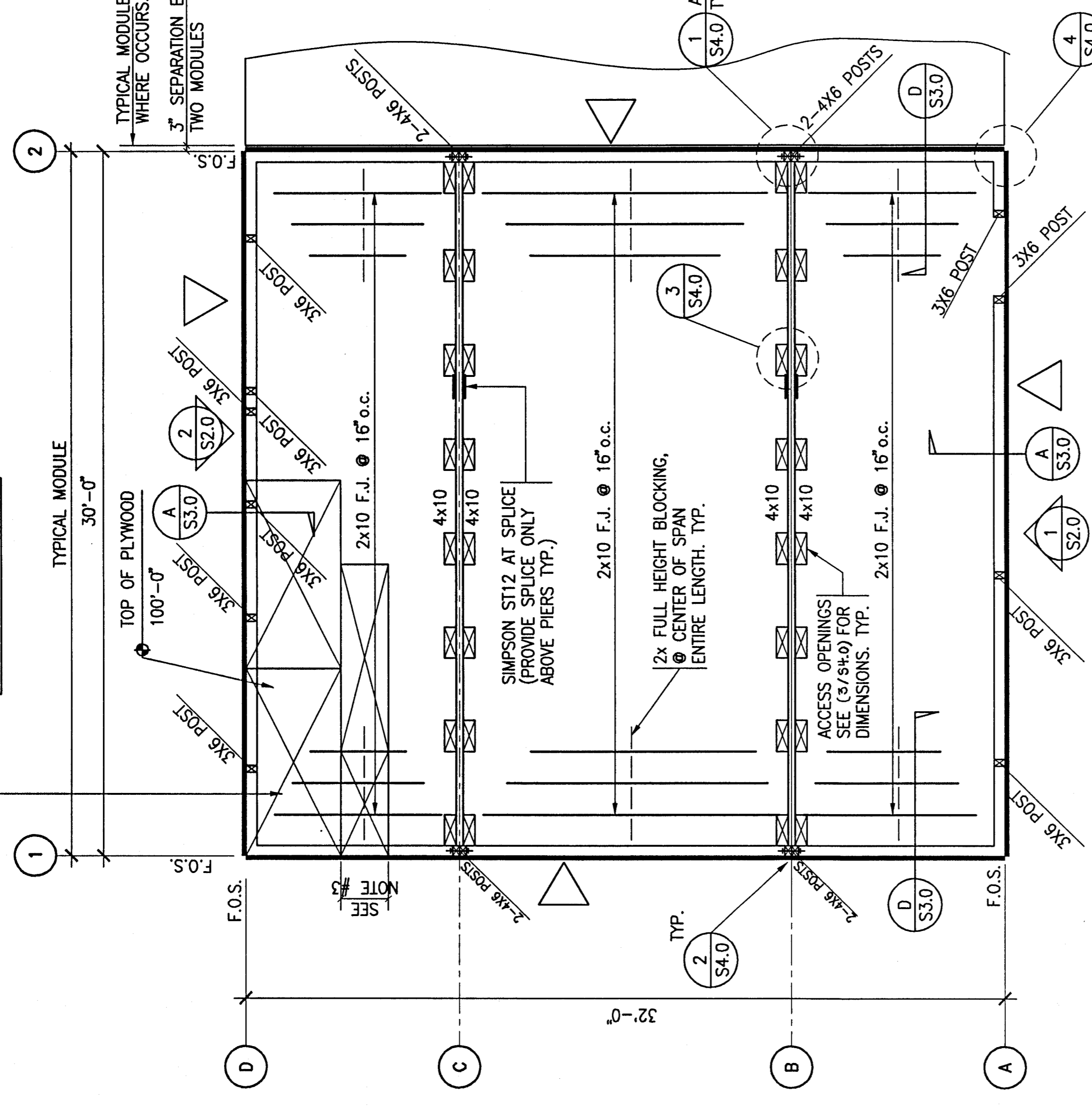


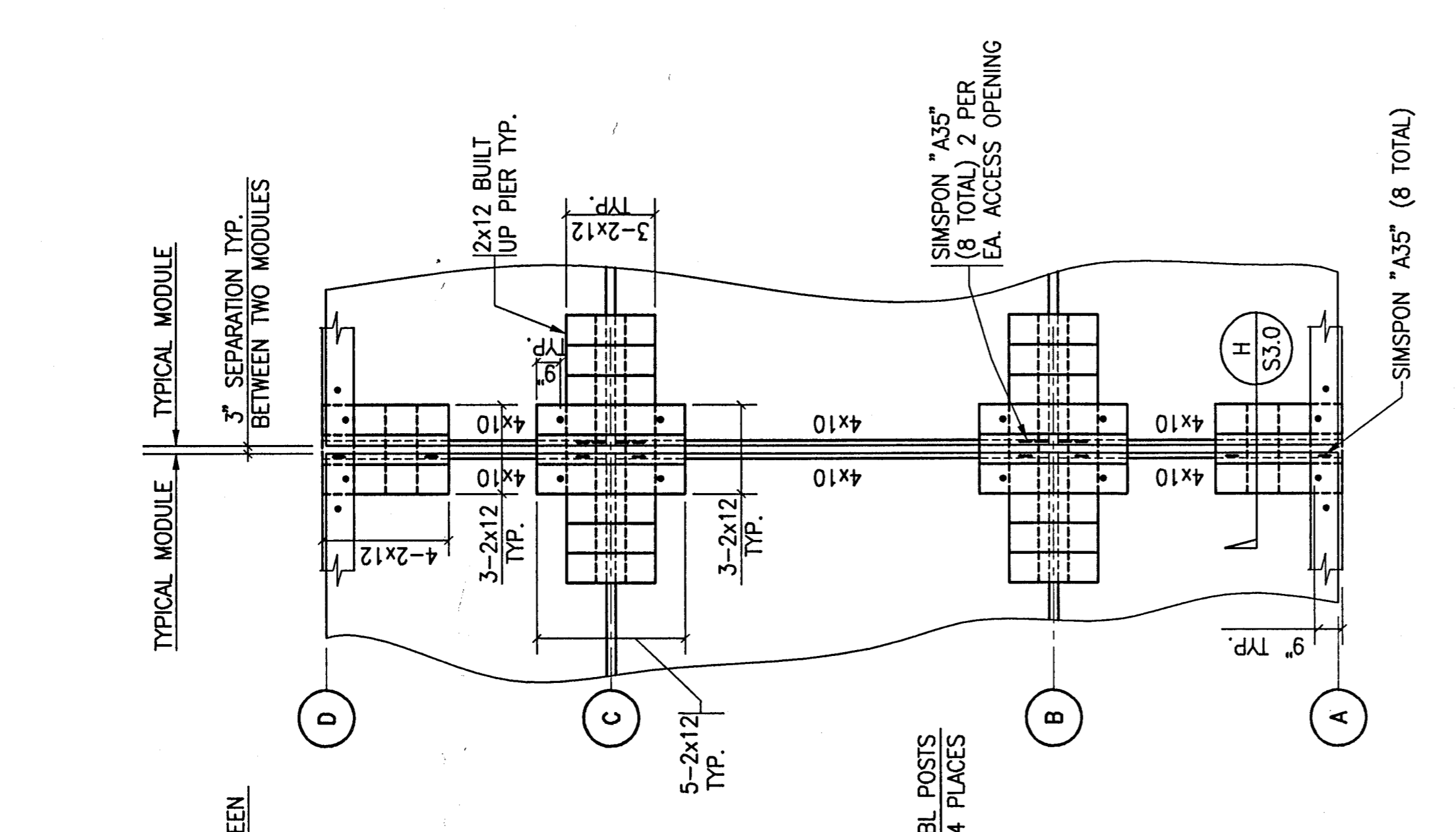
3/4" PLYWOOD SHEATHING
 NAILING @ 6" o.c. BOUNDARY
 8d @ 6" o.c. EDGE
 8d @ 12" o.c. FIELD
 SEE DET 4/ST-1
 (USE RINGSHANK NAILS)



FLOOR FRAMING PLAN

NOTES: 1/4" = 1'-0"

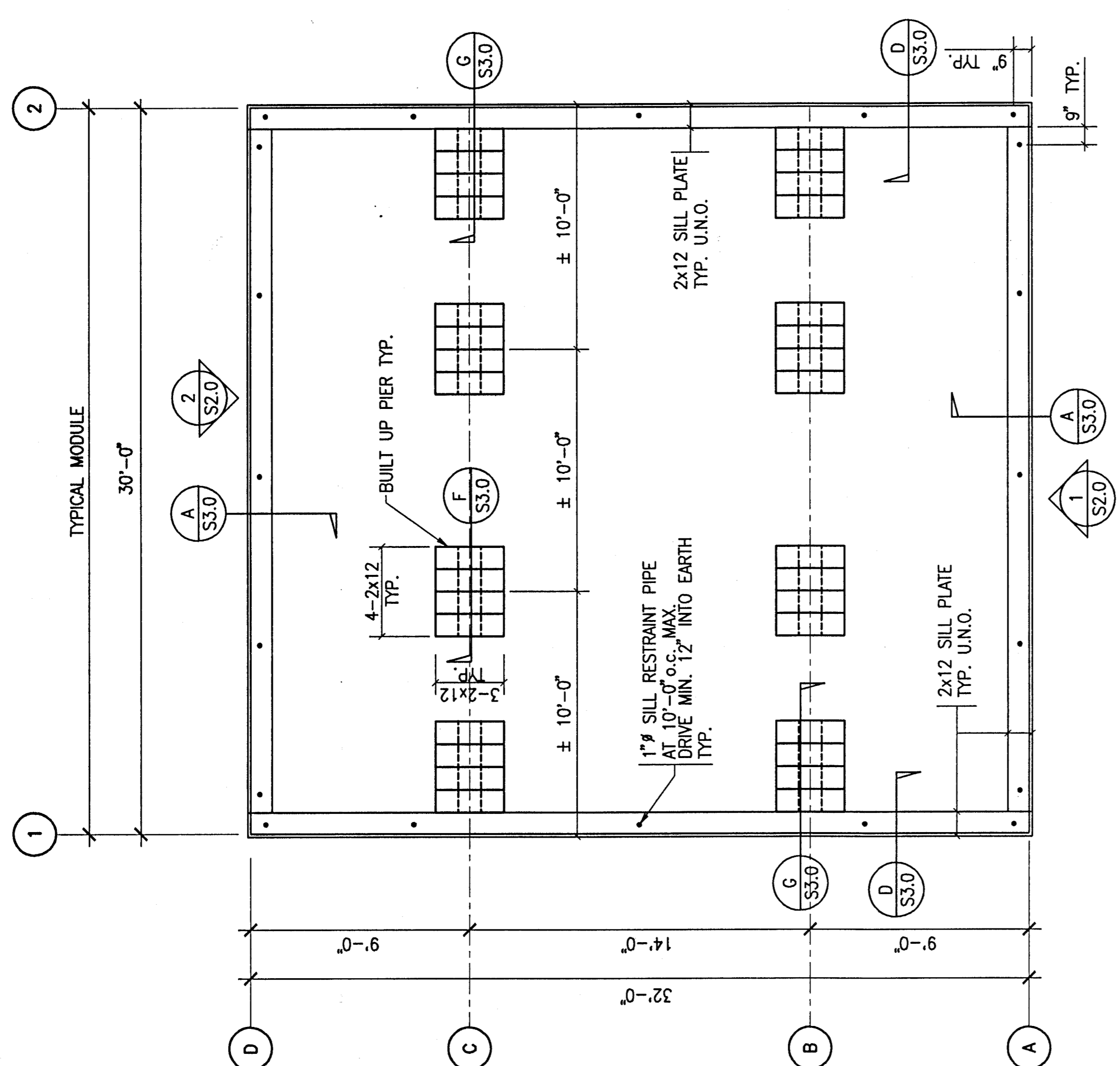
- INDICATES SHEAR WALL PANELS, SEE TYPICAL DETAIL 3 ON ST-1. PROVIDE 8d @ 6" O.C. EDGE AND 8d @ 12" O.C. FIELD NAILING, TYPICAL.
- ALL EXTERIOR WALLS SHALL BE SHEATHED WITH 1/2" STRUCTURAL I PLYWOOD.
- CUT PLYWOOD AS REQUIRED FOR MIN. WIDTH OF 2'-0".
- ALL FLOOR JOISTS, FLOOR BEAMS, AND FLOOR SHEATHING SHALL BE PRESSURE TREATED.
- SEE ARCHITECTURAL DRAWINGS FOR LOCATIONS OF FLOOR VENTS.



PARTIAL FOUNDATION PLAN FOR ADJACENT BUILDINGS

NOTES: 1/4" = 1'-0"

- USE THIS FOUNDATION PLAN WHERE TWO MODULES ARE ADJACENT. FOR A SINGLE MODULE, USE FOUNDATION PLAN ON THE RIGHT.
- FOR SHEAR TRANSFER, PROVIDE SIMPSON "A35" AS INDICATED ON THIS PLAN IN CONJUNCTION WITH DETAIL H/S3.0



FOUNDATION PLAN

NOTES: 1/4" = 1'-0"

- REFER TO GENERAL NOTES AND TYPICAL DETAILS ON SHEET ST-1.
- REFER TO AND CHECK WITH ARCHITECTURAL DRAWINGS FOR WALKWAYS AND DIMENSIONS NOT SHOWN.
- MEANS AND METHODS OF MOVING, HANDLING, CONSTRUCTION, TEMPORARY SHORING, SCAFFOLDING, ETC. ARE THE RESPONSIBILITY OF THE CONTRACTOR.

ARCHITECT	STRUCTURAL	STRUCTURAL	STRUCTURAL	STRUCTURAL	STRUCTURAL
7001 McDevitt Drive, Bakersfield, CA 93313 P.O. Box 41765, Bakersfield, CA 93384-1765 Office 805-835-9270 Fax 805-835-8424 CONSTRUCTION					
FOUNDATION PLAN MODULAR BUILDING MODEL #960 S					
JOB NO. 288 SHEET NO. S1.0 DATE 12-8-98 DRAWN M.M./J.R.					

HILLMAN ROBINSON & LOVENGUTH STRUCTURAL ENGINEERS 1200 W. BROADWAY ST., 3RD FLOOR LOS ANGELES, CALIF. 90017 TEL: 213-620-9000 FAX: 213-620-9001 CE150 7.4.4.1414 JEP NO. 98086-01					
REVISIONS Δ					
D.S.A.					