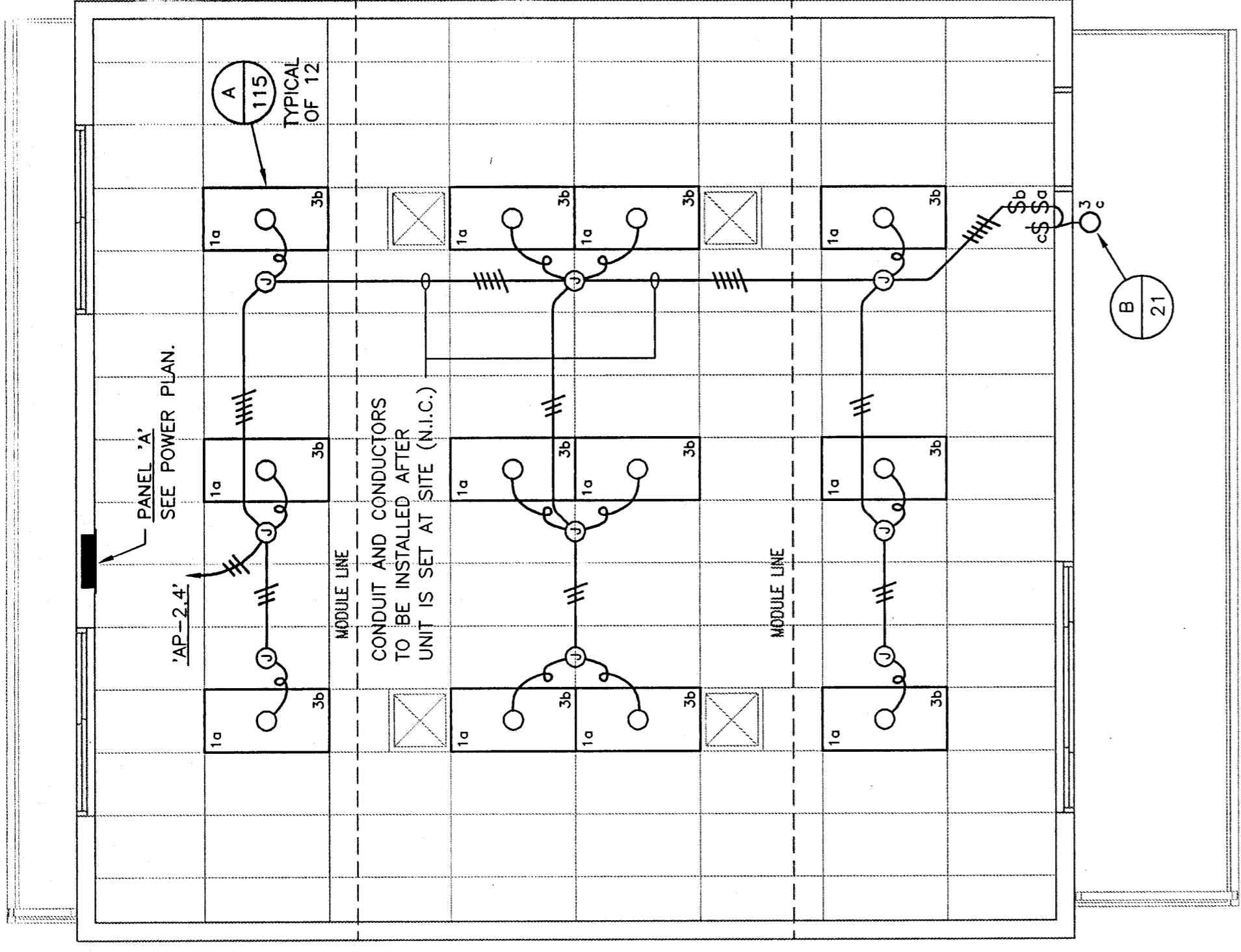


POWER AND SIGNAL PLAN SCALE: 1/4" = 1'-0"



LIGHTING PLAN SCALE: 1/4" = 1'-0"

### SYMBOL SCHEDULE

SYMBOL	NAME	DESCRIPTION
(E)	DESIGNATES EXISTING ITEM	
HO	WALL BRACKET FIXTURE	SEE PLANS & FIXTURE SCHEDULE
O <sub>20</sub>	FLUORESCENT FIXTURE	SEE PLANS & FIXTURE SCHEDULE
O <sub>20</sub> (140)	FIXTURE CKT 2, LOCAL SWITCH 'o'	
+	FIXTURE TYPE AND WATTAGE	SEE FIXTURE SCHEDULE
+	LOCAL SWITCH	SEE SPECIFICATIONS. +45" MAX.
+	DUPLEX CONVENIENCE OUTLET	SEE SPECIFICATIONS. +15" MIN.
+	MOTOR W/R.T. DISCONNECT SWITCH	REFER TO MECH. PLANS & SPECS. FUSES PER MFG'S RECOMMENDATION.
+	CLOCK (12")	BATTERY OPERATED. COORDINATE W/ OWNER. +7"-0"
+	JUNCTION BOX - AS REQUIRED	4 SQUARE BOX & FLUSH PLATE MINIMUM
+	THERMOSTAT	SEE SPECIFICATIONS. +48" MAX.
+	ELECTRICAL PANEL	REFER TO PANEL SCHEDULE
+	WIRING UNDER FLOOR OR IN WALL	1/2" C MINIMUM U.O.N.
+	WIRING IN CEILING	1/2" C MINIMUM U.O.N.
+	FLEXIBLE CONDUIT W/ LEADS	SEE PLANS & FIXTURE SCHEDULE
+	CONDUIT STUB & CAP ABOVE CEILING	
+	CONDUIT RISER	
+	NUMBER OF HASHMARKS DENOTES NUMBER OF CONDUCTORS	
+	HOME RUN	TO RESPECTIVE PANEL OR TERM. CAB.
+	GROUND FAULT INTERRUPTER	
+	UNLESS OTHERWISE NOTED	
+	FIRE ALARM PULL STATION	SINGLE GANG BOX W/ CONDUIT STUB TO ATTIC.
+	FIRE ALARM EXTERIOR HORN	DOUBLE GANG BOX W/ CONDUIT STUB TO ATTIC.
+	OUTDOOR W.P. WITH 10B-R BACK BOX	DOUBLE GANG BOX W/ SINGLE GANG RING W/ CONDUIT STUB TO ATTIC.
+	FIRE ALARM MINI-HORN	
+	OUTDOOR W.P. WITH 10B-R BACK BOX	

### FIXTURE SCHEDULE

TYPE	DESCRIPTION	LAMP	MTG.	VOLTAGE	REMARKS
A	COLUMBIA #J24-4400-FS-A12-125-LE-120-488-CWES	* 3F40 T1/2RS		120V	SEE DETAIL E-10
B	KENALL #3714	14W (2) 7W		120V	

\* LAMPS: F40SX/SP35, 3400 LUMENS. BALLAST: ADVANCE MARK III.

FIXTURE NOTES:

1. FIXTURE SUBMITTALS SHALL INCLUDE ALL MOUNTING INSTRUCTIONS, COMPLETE PHOTOMETRICS AND FIXTURE CONSTRUCTION DETAILS AND SHALL BE CAREFULLY REVIEWED BY THE ELECTRICAL CONTRACTOR PRIOR TO SUBMITTING.
2. ELECTRICAL CONTRACTOR TO PROVIDE COMPLETE LAMP SUBMITTALS INCLUDING COLOR TEMPERATURES, LAMP LIFE AND LUMEN OUTPUT.

### TYPE '00' LOAD CENTER

CIRCUIT WATTAGE	CIRCUIT WATTAGE	TYPE '00' LOAD CENTER	
		LOAD-TYPE (L/C)	USE
874	874	1	RECEPTACLES
0	895	2	RECEPTACLES
0	0	3	RECEPTACLES
0	0	4	RECEPTACLES
0	0	5	RECEPTACLES
0	0	6	RECEPTACLES
0	0	7	RECEPTACLES
0	0	8	RECEPTACLES
0	0	9	RECEPTACLES
0	0	10	RECEPTACLES
0	0	11	RECEPTACLES
0	0	12	RECEPTACLES
874	885	SUB-TOTAL	
TOTAL		121	121
TOTAL		121	121
TOTAL		121	121
TOTAL		121	121
TOTAL		121	121

VOLTS: 120/240V 1P 3W MAIN 100/2  
 FEEDER N.L.C. OTHER = 1,260 W AMPS  
 BUS 100A CU MTG FLUSH  
 L.C.L. = 7121, L.C.L.1.25 = 8,901 W  
 TOTAL = 10,161 W

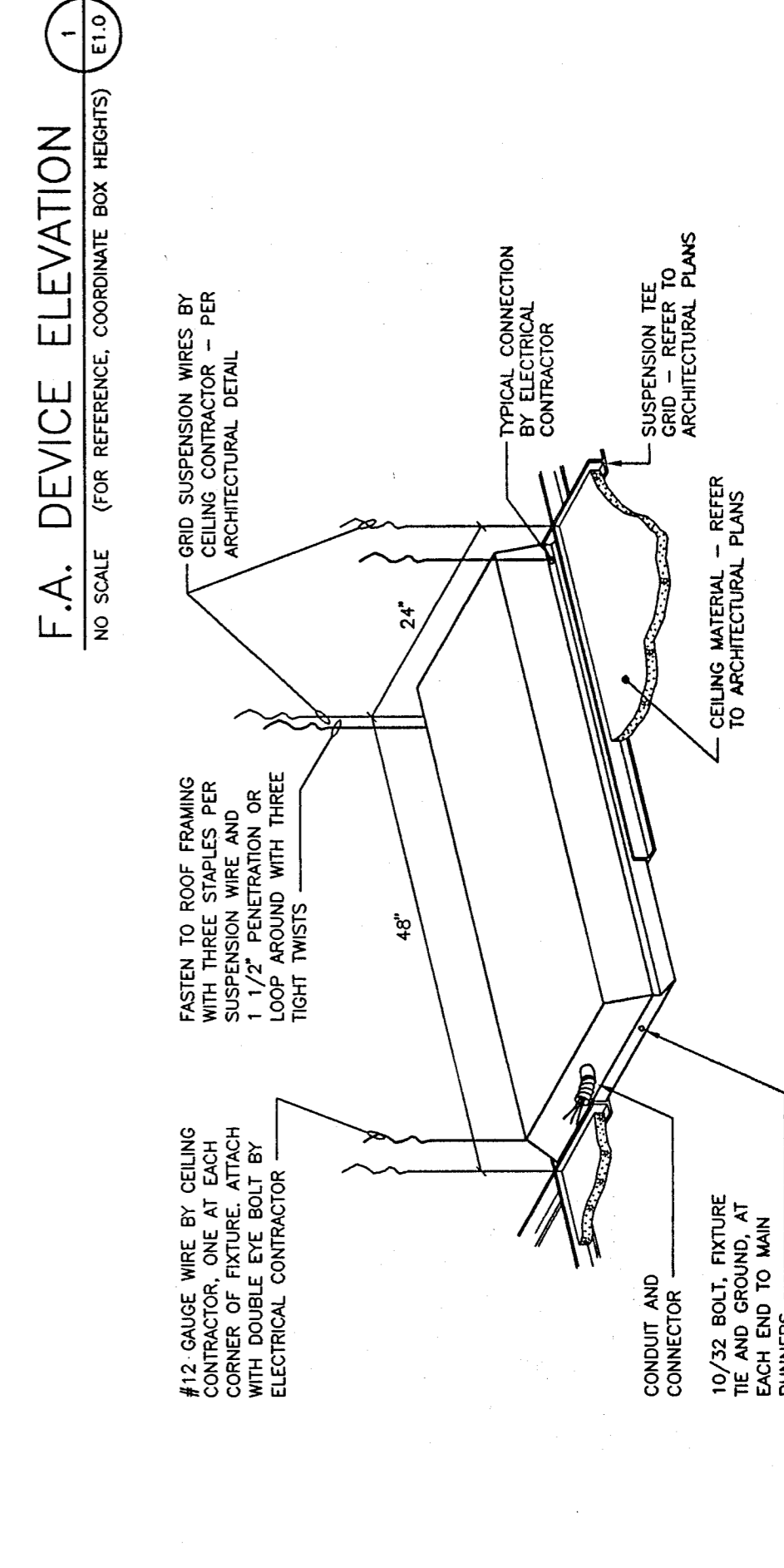
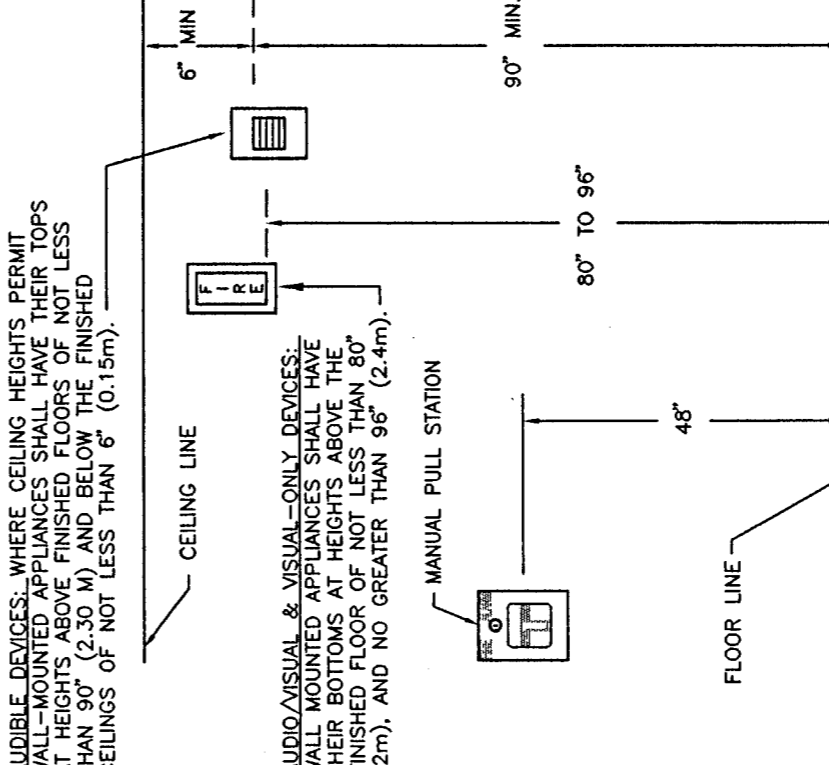
### SCHOOL EQUIPMENT ANCHORAGE

THE SEISMIC ANCHORAGE OF ELECTRICAL EQUIPMENT SHALL CONFORM TO C.C.B. TITLE 24 SEC. 1630A AND TABLE 16A-0. ANCHORAGE DETAILS FOR ROOF/FLOOR MOUNTED EQUIPMENT WEIGHING LESS THAN 400 LBS. AND HUNG EQUIPMENT WEIGHING LESS THAN 20 LBS. MAY BE OMITTED FROM THE PLANS.

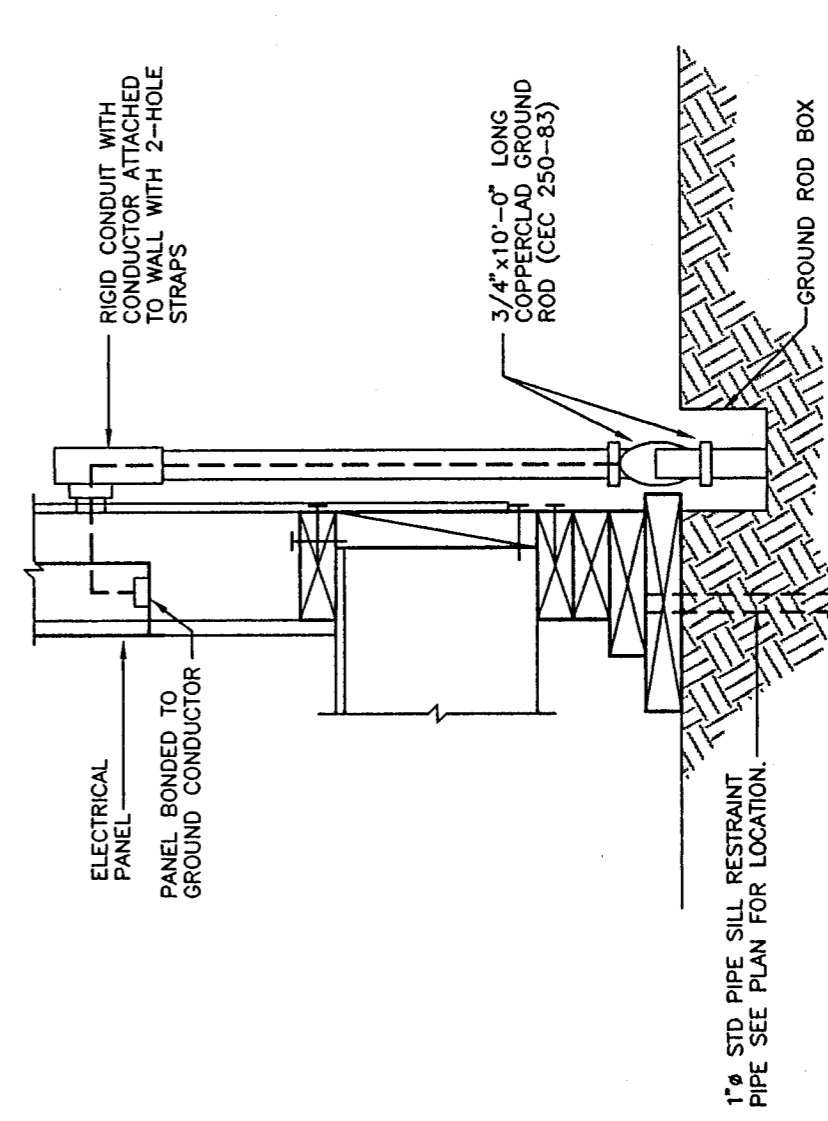
ALL ELECTRICAL EQUIPMENT SHALL BE BRACED OR ANCHORED TO RESIST HORIZONTAL FORCE ACTING IN ANY DIRECTION USING THE FOLLOWING:

- EQUIPMENT ON GRADE
- EQUIPMENT ON STRUCTURE
- FOR FLEXIBLY MOUNTED EQUIPMENT USE 4X THE ABOVE VALUES. AND FOR SIMULTANEOUS VERTICAL FORCE - USE 1/3X HORIZONTAL FORCE.

THE ABOVE VALUES ARE FOR AN IMPORTANCE FACTOR, I = 1.0 AND SEISMIC ZONE, Z = 0.4. WHERE ANCHORAGE DETAILS ARE NOT SHOWN ON THE DRAWINGS, THE FIELD INSTALLATION SHALL BE SUBJECT TO THE APPROVAL OF THE ELECTRICAL ENGINEER AND THE FIELD ENGINEER OF THE DIVISION OF THE STATE ARCHITECT.



RECESSED FIXTURE MOUNTING DETAIL NO SCALE (E10)



- NOTES:
1. SIZE OF CONDUCTOR SHALL COMPLY WITH CEC TABLE 250-85.
  2. BOND SEPARATE CONDUCTORS FROM GROUND ROD TO ELECTRICAL PANEL AND TO METAL BUILDING FRAME (CFC 250-91). IN ADDITION, BOND METAL BUILDING FRAME TO METAL WATER PIPE EMBEDDED AT LEAST 10' INTO THE SOIL IF AVAILABLE (CFC 250-81 AND 250-83).
  3. ALL MODULES OF METAL FRAME BUILDINGS SHALL BE ELECTRICALLY BONDED TOGETHER (BOLTING ONLY IS NOT ACCEPTABLE BONDING).
  4. CHECK RESISTANCE TO GROUND. IF RESISTANCE EXCEEDS 25 OHMS INSTALL ADDITIONAL GROUND RODS (CFC 250-84) AS REQUIRED.
  5. SITE INSPECTOR IS TO WITNESS AND VERIFY GROUNDING TESTS.

GROUND ROD IN WELL DETAIL NO SCALE (E10)

ARCHITECT

Glenn Hartzell - Architect, Inc.

ELECTRICAL

Interstate Engineering

CONSTRUCTION

JTS

7001 McDowell Drive, Bakersfield, CA 93304 - 1765  
 Office 805 - 835 - 9270 Fax 805 - 835 - 8424

ELECTRICAL PLAN

MODULAR BUILDING MODEL #60 S

JOB NO. 288

SHEET NO. E10

DATE 7-7-98

DRAWN C S D

REVISIONS

D.S.A.