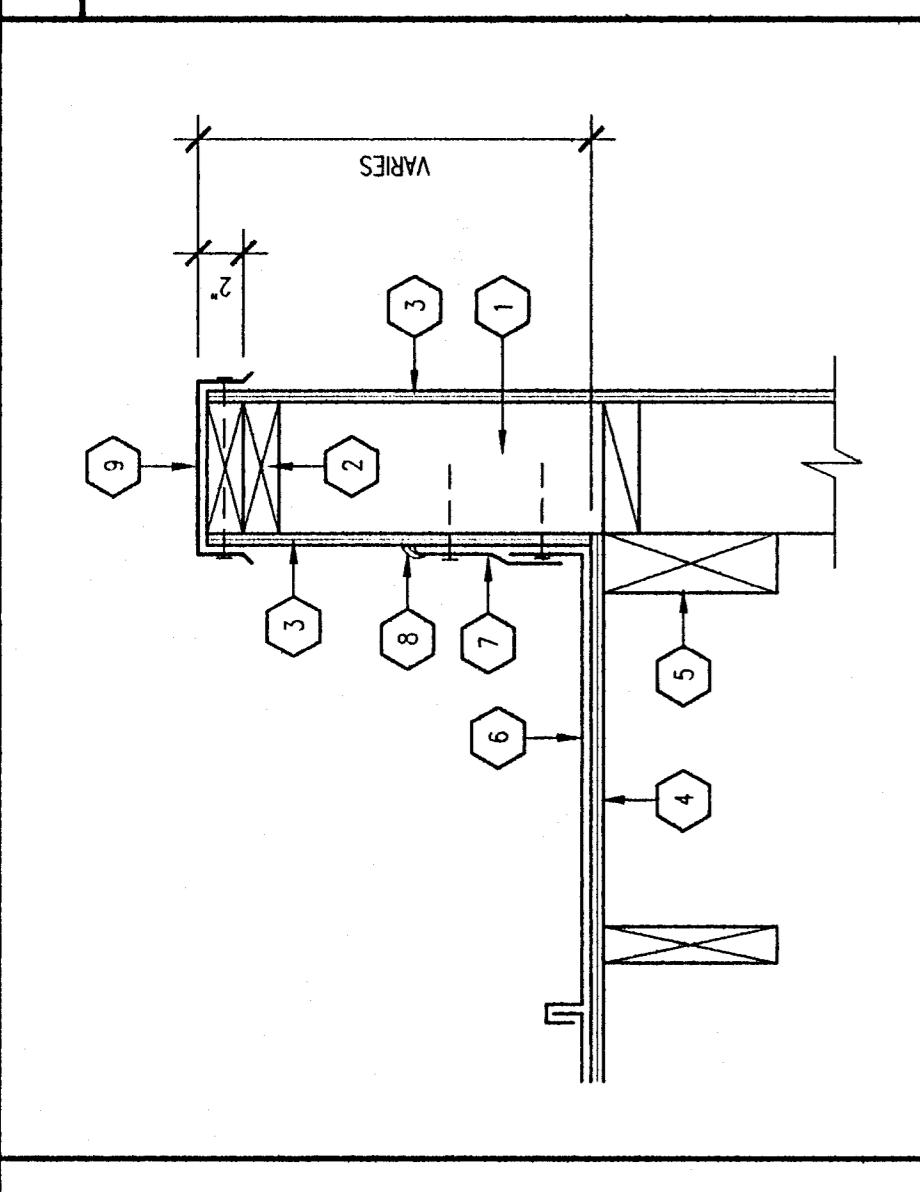
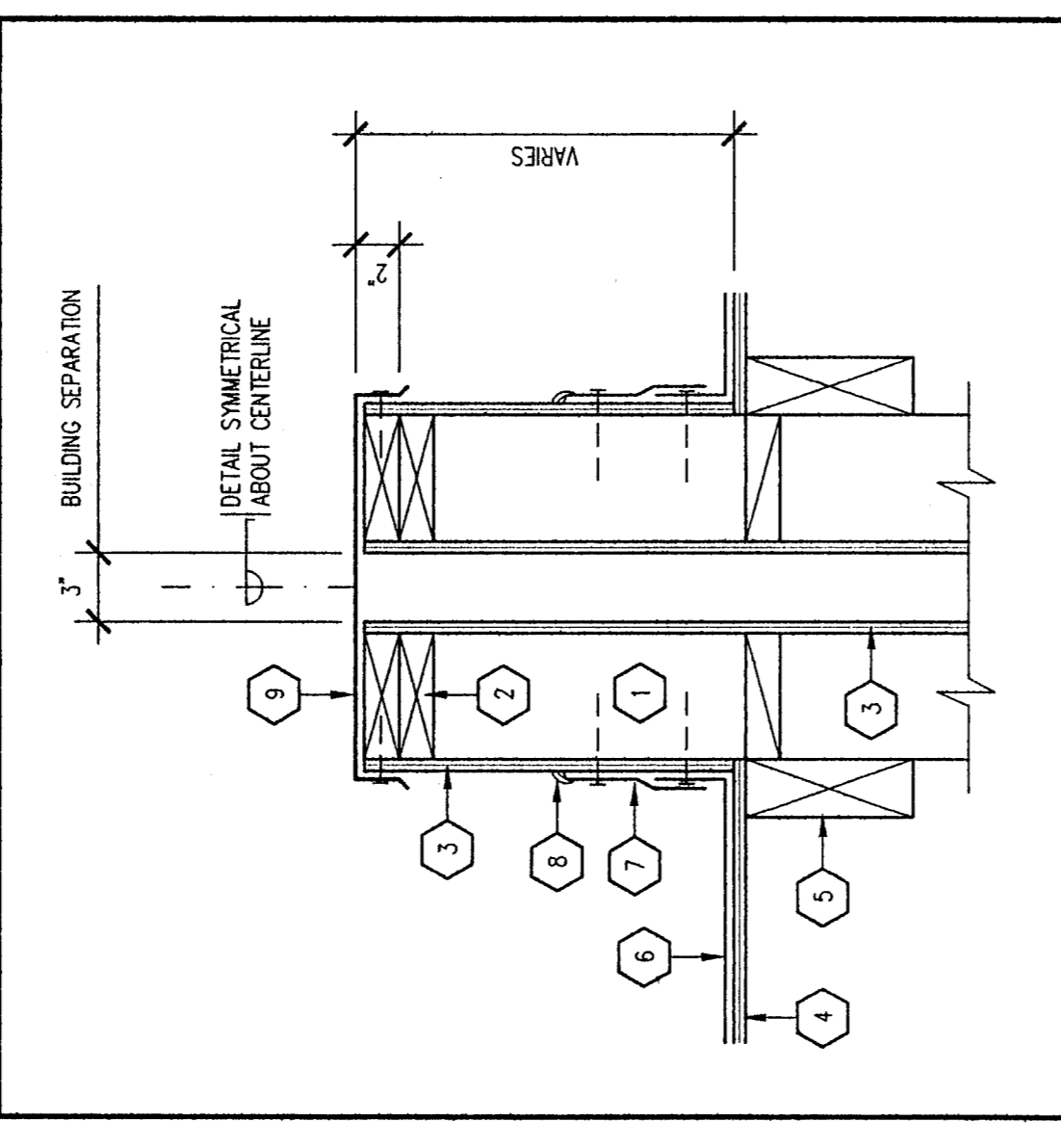


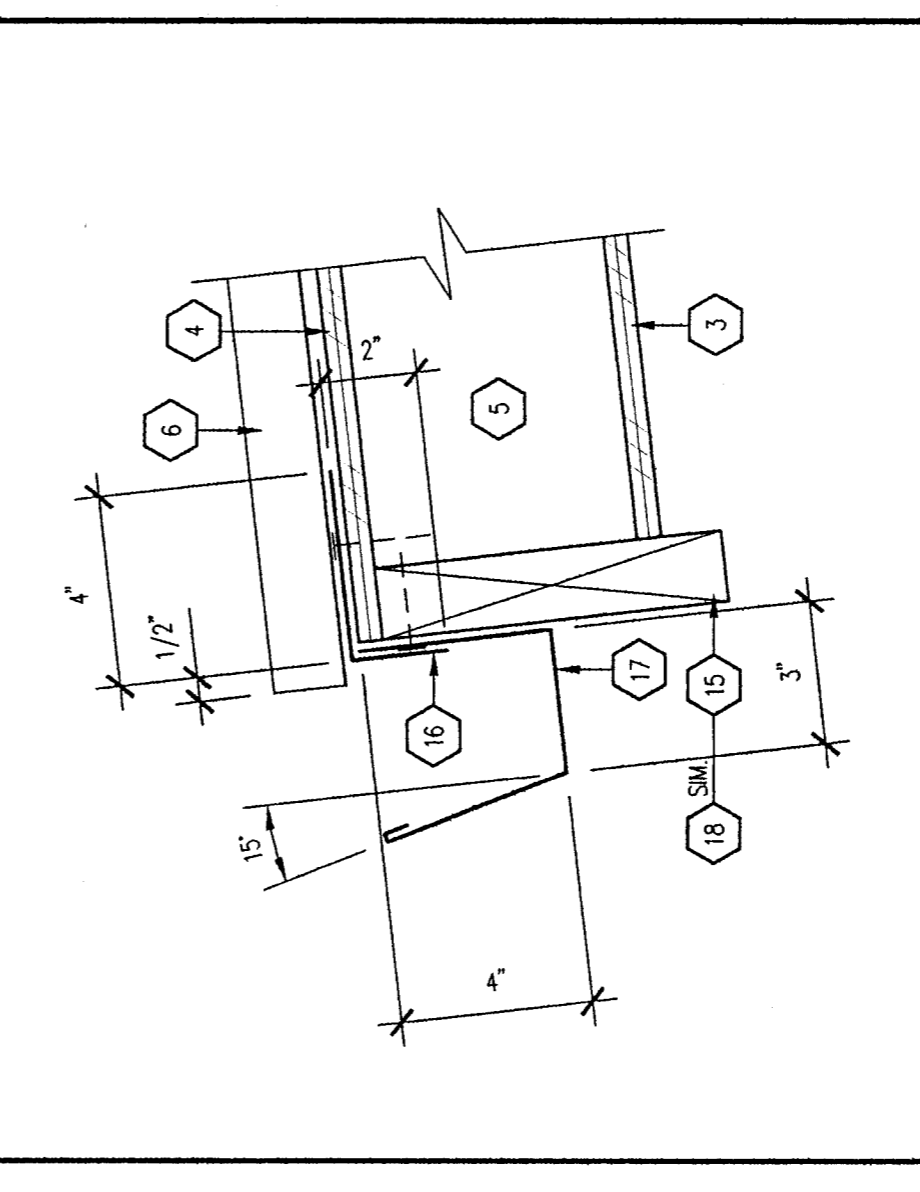
A TYPICAL SECTION
SCALE: 1/4" = 1'-0"



1 PARAPET WALL 1 1/2'-1"



2 ADJACENT PARAPET WALLS 1 1/2'-1"



3 ROOF GUTTER 3'-1"

- KEY NOTES**
- 1 2 x 6 WALL STUDS @ 16" O.C. (SEE STRUCT.)
 - 2 DOUBLE 2 x 6 TOP PLATE (SEE STRUCT.)
 - 3 1/2" (PAINTED) PLYWOOD PANELING (SEE STRUCT.)
 - 4 1/2" PLYWOOD ROOF SHEATHING (SEE STRUCT.)
 - 5 ROOF JOISTS (SEE STRUCT.)
 - 6 26 GA. STANDING SEAM METAL ROOFING (SEE SPECS.) SECURE TO WALL STUDS @ 32" O.C. W/ #12 FRMS
 - 7 26 GA. COUNTERFLASHING (PER ROOFING MANUFACTURERS REQUIREMENTS) SECURE TO STUDS @ 32" O.C. WITH #12 WOOD SCREWS WITH NEOPRENE GROMMETS
 - 8 CONT. BEAD OF WATERPROOF SEALANT
 - 9 26 GA. PARAPET CAP WITH 1/2" DRIP - SECURE TO WALL WITH #12 WOOD SCREWS WITH NEOPRENE GROMMETS @ 36" O.C. (TOP, BOTH SIDES)
 - 10 R-38 INSULATION
 - 11 R-19 INSULATION
 - 12 AIR CONDITIONER (SEE MECH.)
 - 13 SUPPLY AIR DUCT (SEE MECH.)
 - 14 SUSPENDED T BAR CEILING GRID WITH LAY-IN ACOUSTIC TILES
 - 15 2 x 8 FASCIA BOARD
 - 16 26 GA. COUNTER-FLASHING (CONT.) SECURE TO ROOF JOISTS @ 32" O.C. WITH #12 WOOD SCREWS & GROMMETS
 - 17 26 GA. OUTER (CONT.) WITH HEMMED EDGE - SECURE TO FASCIA WITH #12 WOOD SCREWS & GROMMETS @ 24" O.C.
 - 18 2 x 10 FASCIA BOARD

ARCHITECT

Glenn Hartzell - Architect, Inc.

ROOF DETAILS
SECTION
MODULAR BUILDING
MODEL #960 S

JTS
CONSTRUCTION

7001 McDwitt Drive, Bakersfield, CA 93318
P.O. Box 41765, Bakersfield, CA 93384-1765
Office 805-835-9270 Fax 805-835-8424

JOB NO. 288
SHEET NO. A2.1

DATE 12-8-98
DRAWN J.A.

REVISIONS

D.S.A.

FILE NO.
BENEFICIARY STAMP
DIV. OF THE STATE ARCHITECT
OFFICE OF REGULATION SERVICES
AC A03-101724
DATE MAR 07 1999