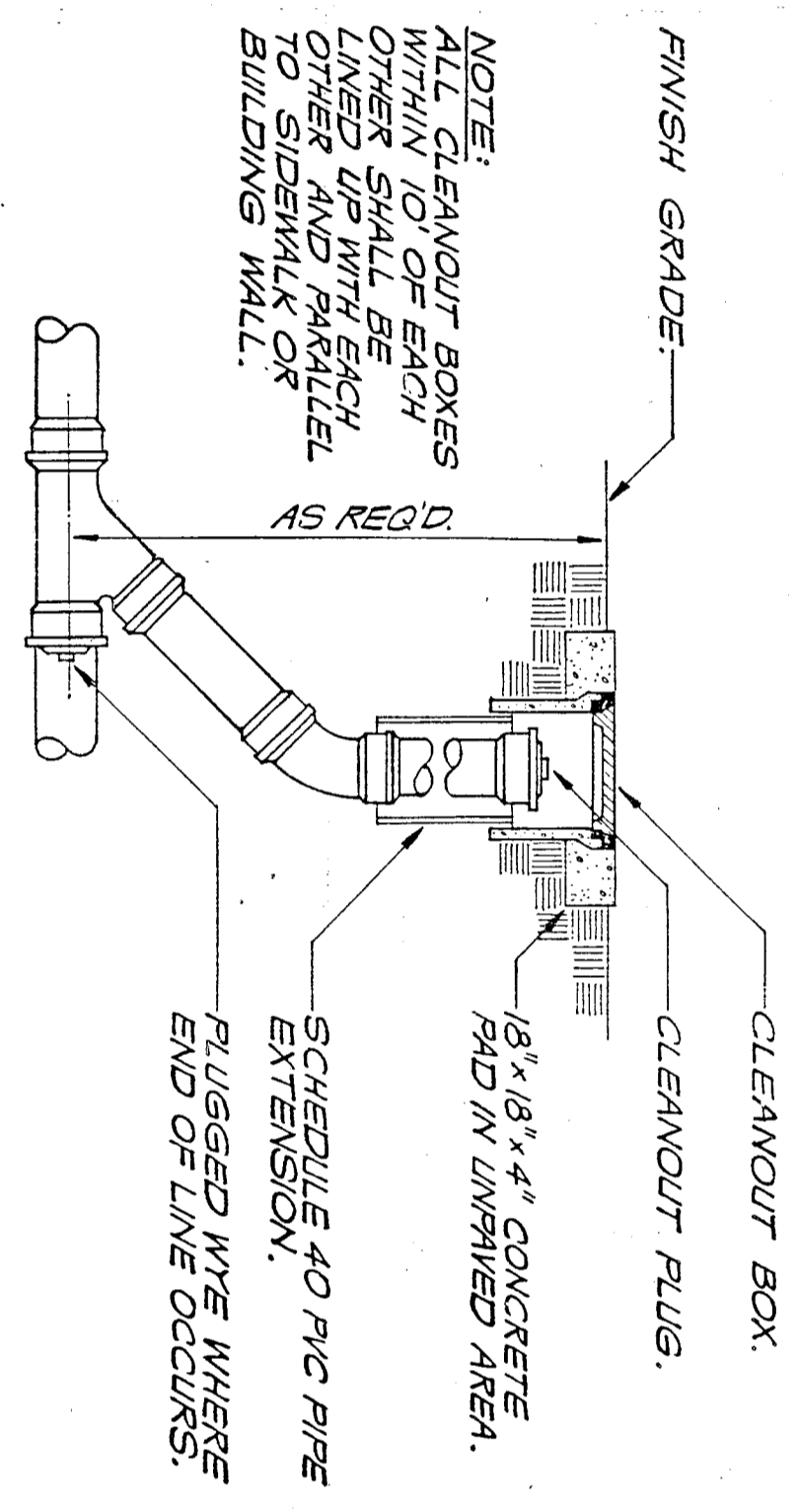
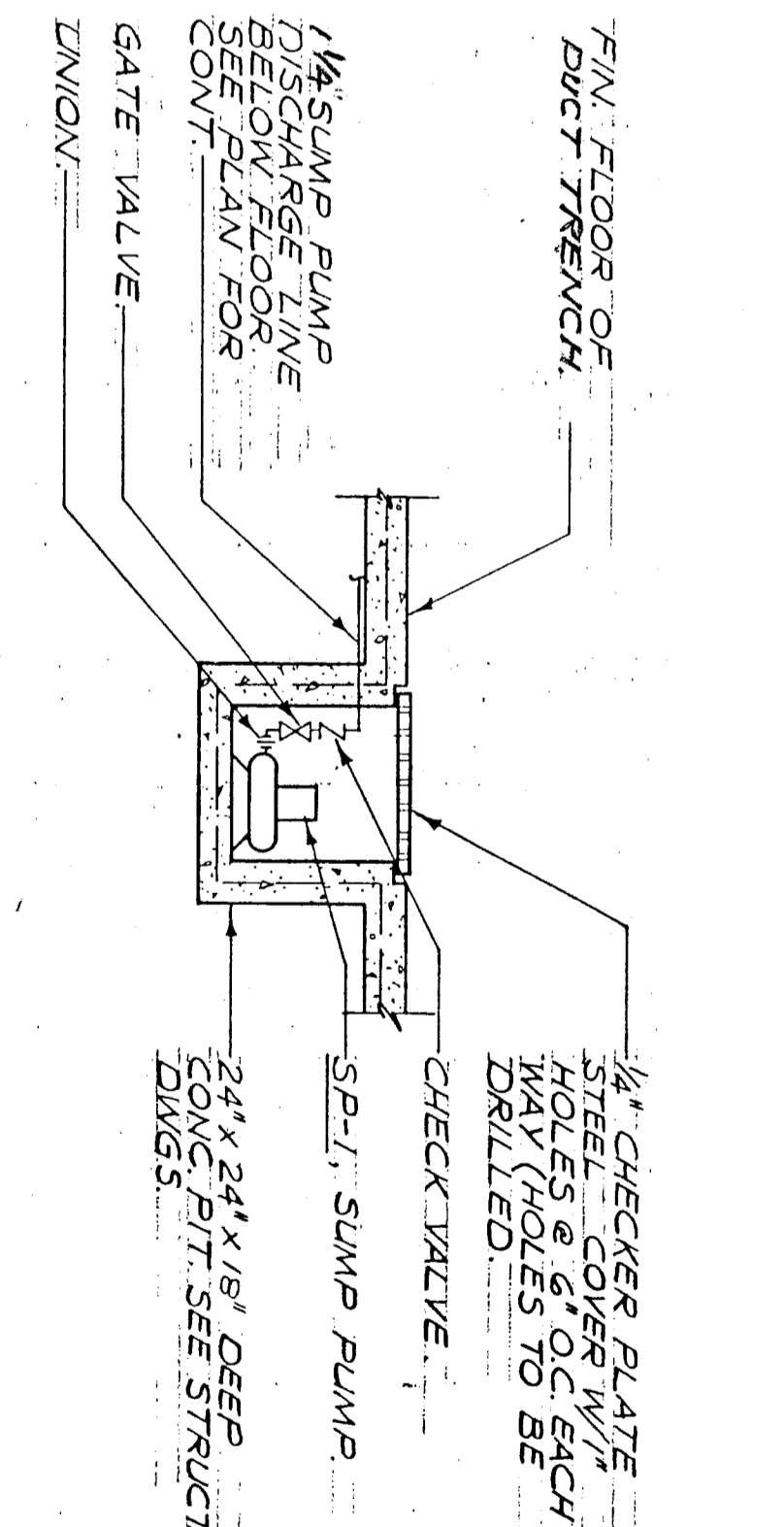


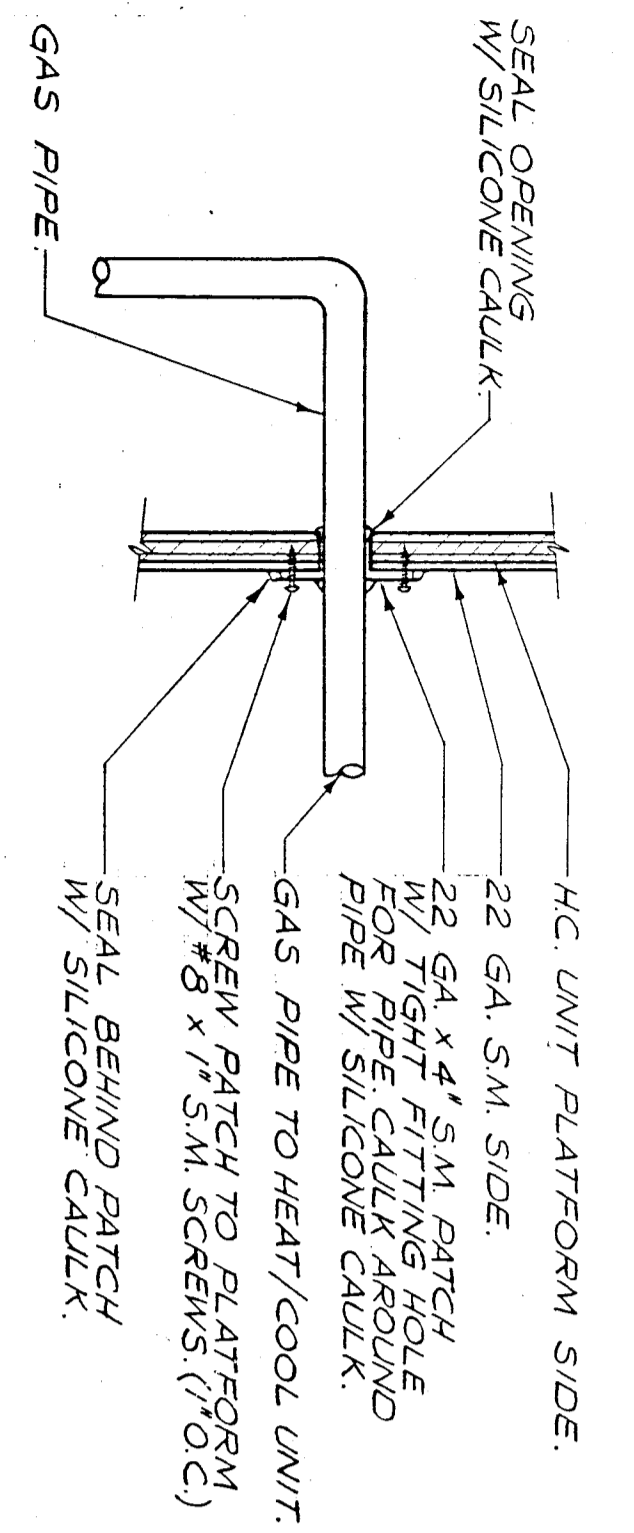
SHUT-OFF VALVE IN BOX DETAIL A
SCALE: NONE



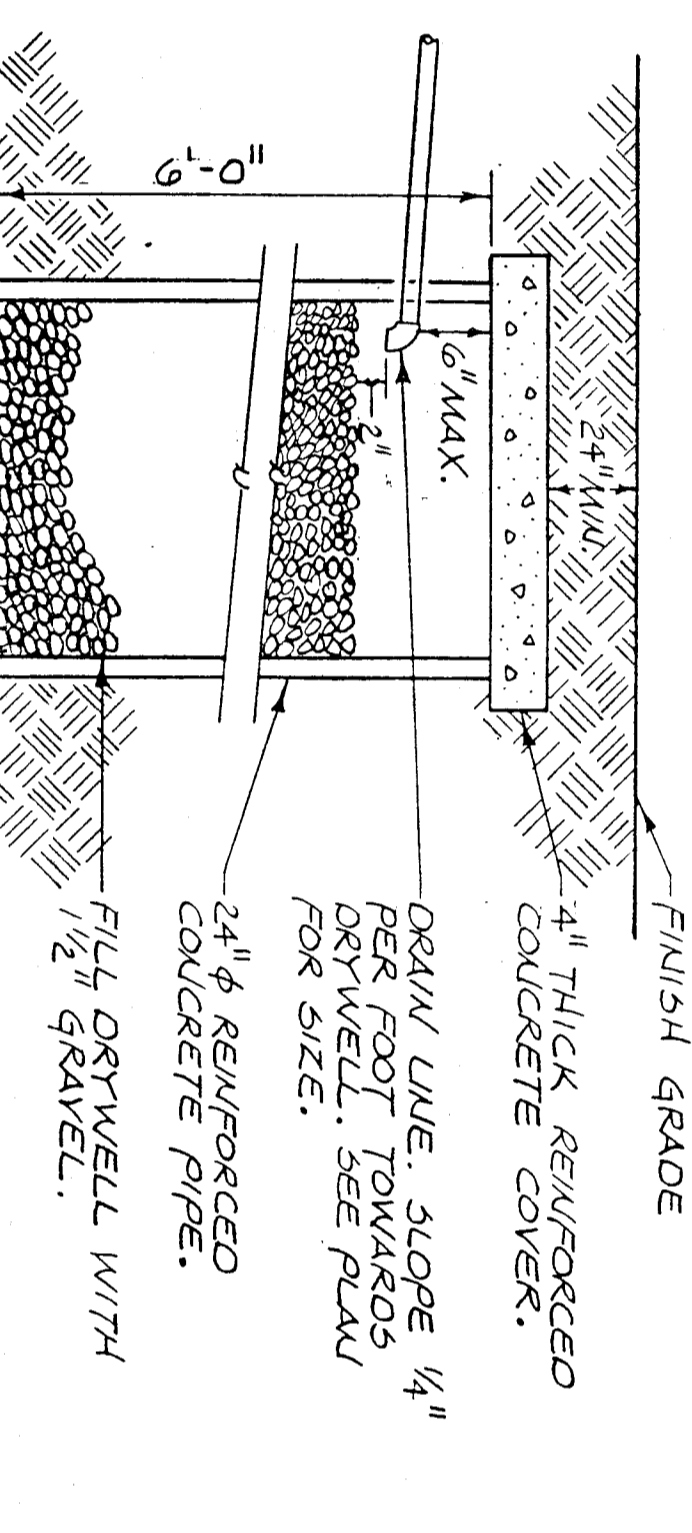
CLEANOUT TO GRADE DETAIL D
SCALE: NONE



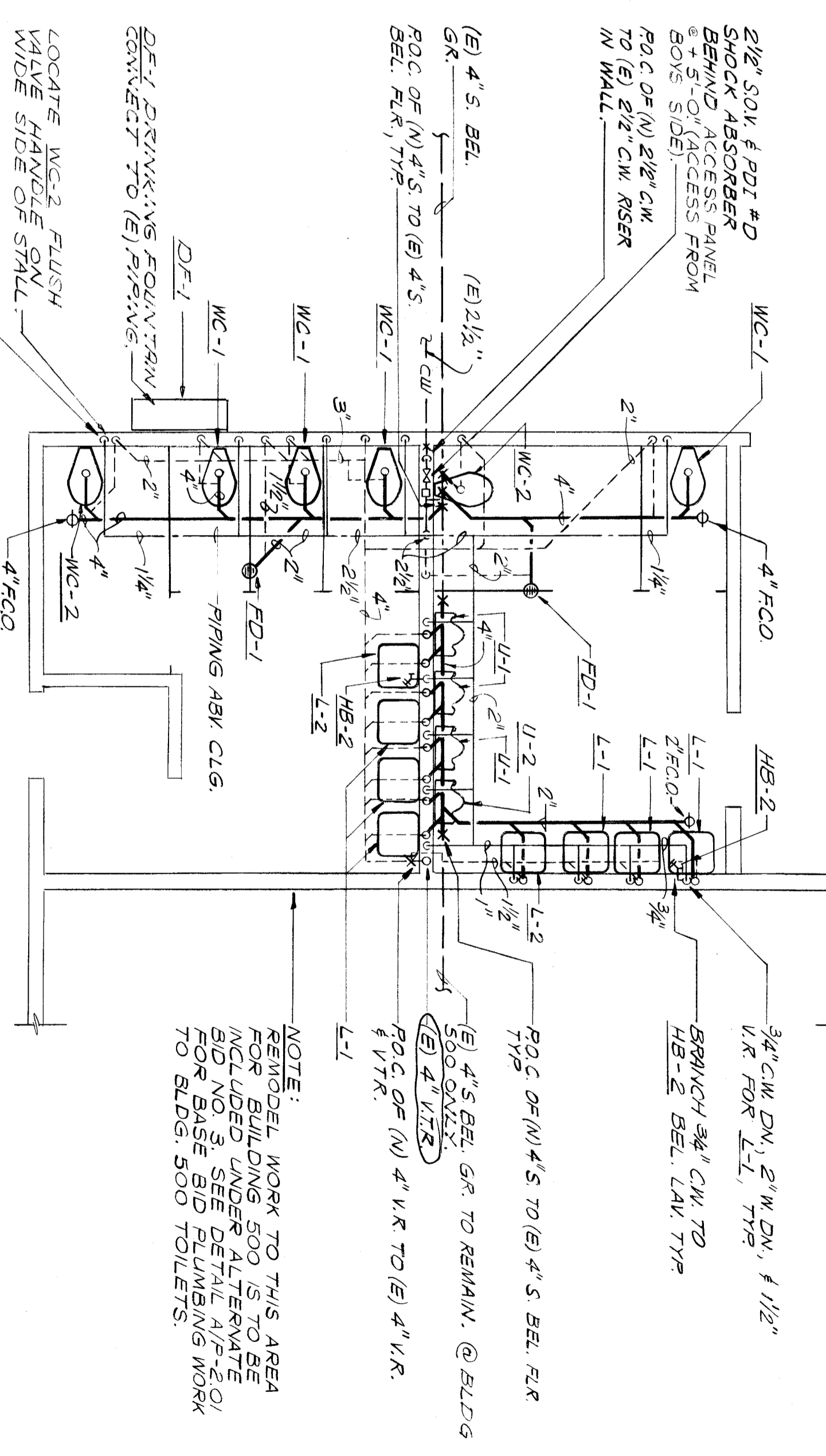
SUMP PUMP DETAIL F
SCALE: NONE



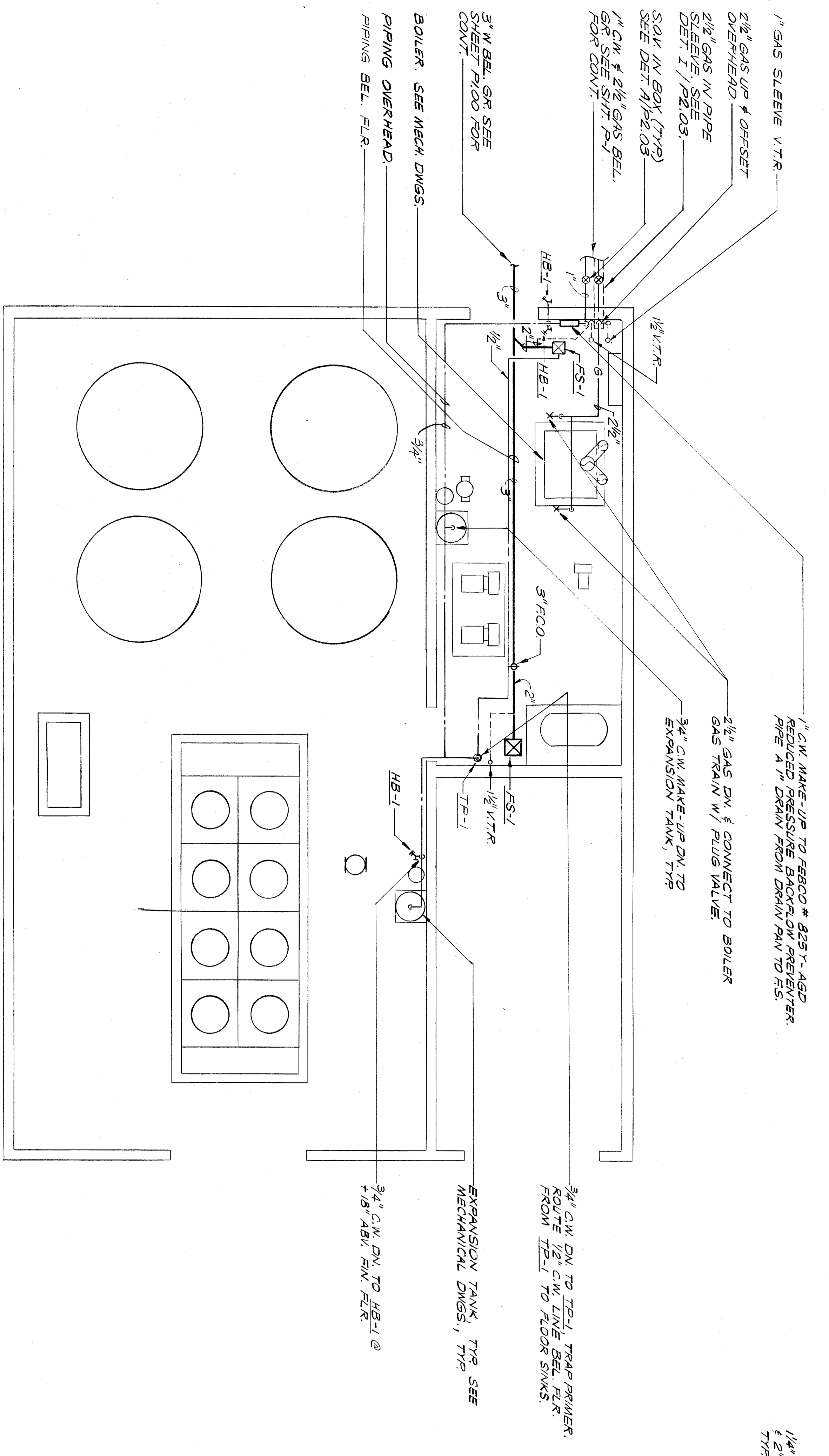
GAS PIPE PLATFORM PENETRATION B
SCALE: NONE



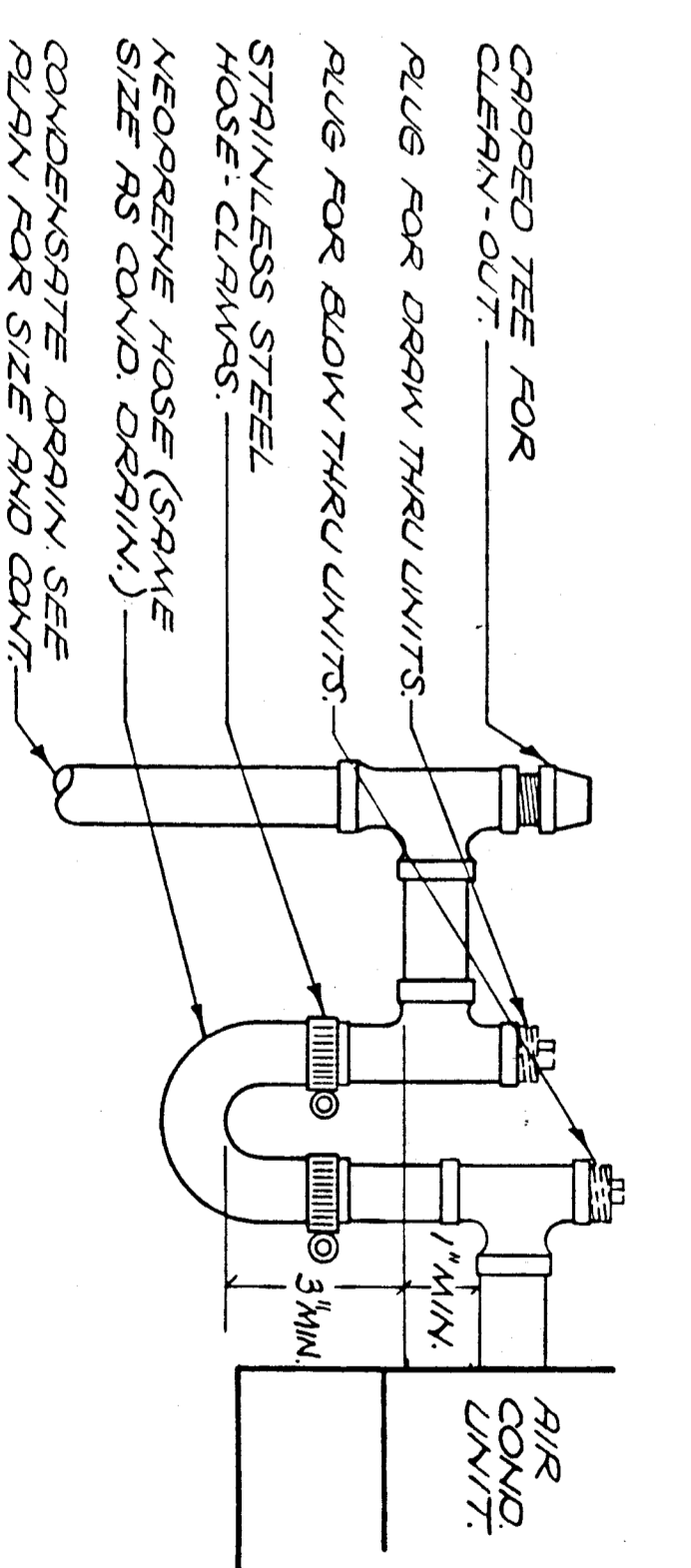
DRYWELL DETAIL E
SCALE: NONE



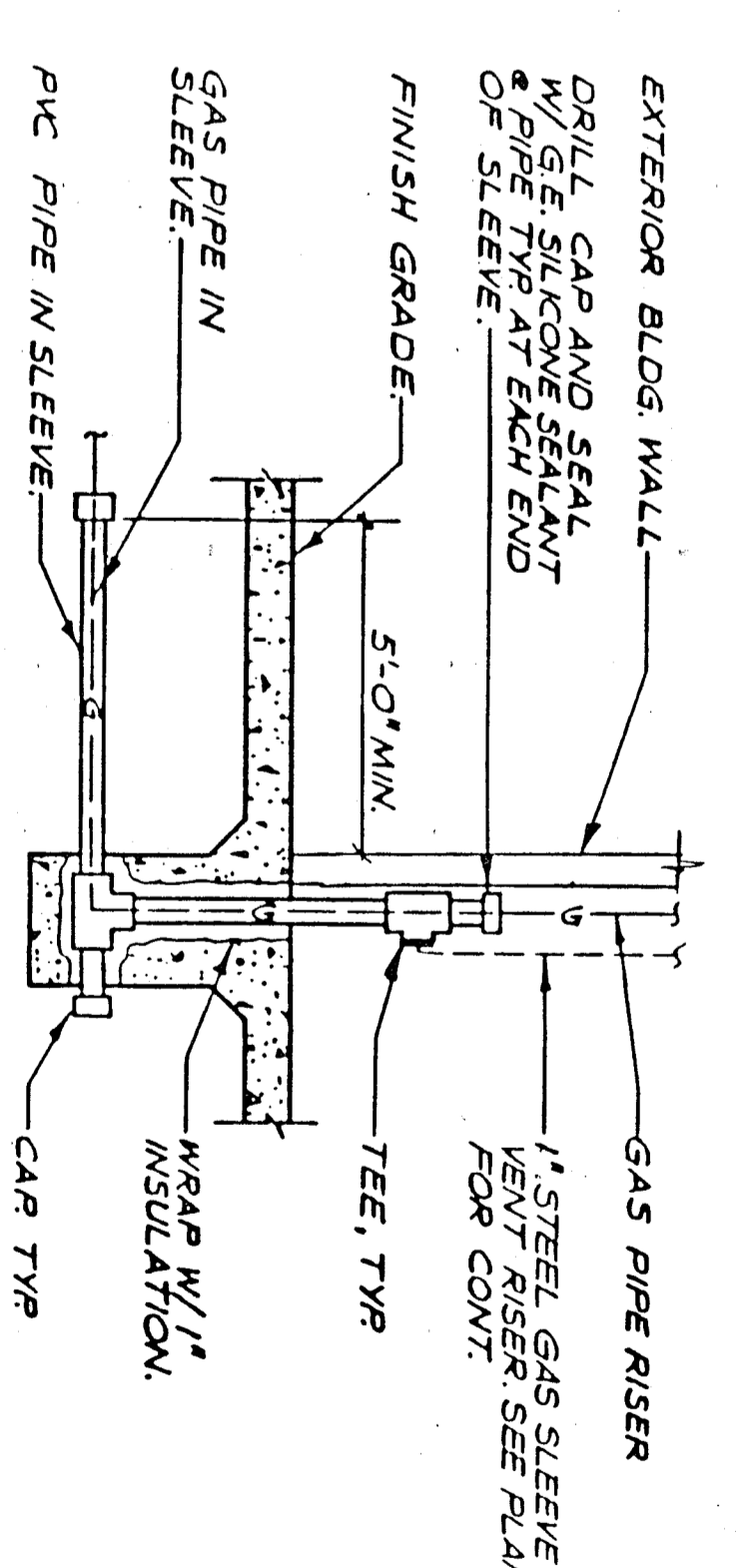
TOILET ROOM REMODEL G
SCALE: 1/4"=1'-0"



CHILLER / ICE STORAGE YARD PLUMBING PLAN C
SCALE: 1/4"=1'-0"



CONDENSATE DRAIN CONNECTION H
SCALE: NONE



GAS PIPE IN SLEEVE DETAIL I
SCALE: NONE

Job no.	
Date	
Drawn by	R. GONZALES
chk'd by	D. OUSTAD
Copyright	

bfgc architects planners inc.
P.O. Box 8698 Bakersfield California 93388-8698
31 south red road 93309 (805) 832 8122

DR. GONZALES

©-3132 *©-8664 ©-8021 ©-8702

CHILLER / ICE STORAGE YARD PLUMBING PLAN AND DETAILS

ROOSEVELT SCHOOL MODERNIZATION

FOR
BAKERSFIELD CITY SCHOOL DISTRICT

Donald R. Lawrence & Associates
CONSULTING MECHANICAL ENGINEERS ARCHITECTS
1007 25th Street
Bakersfield, CA 93311
805-833-4411

W. G. ...