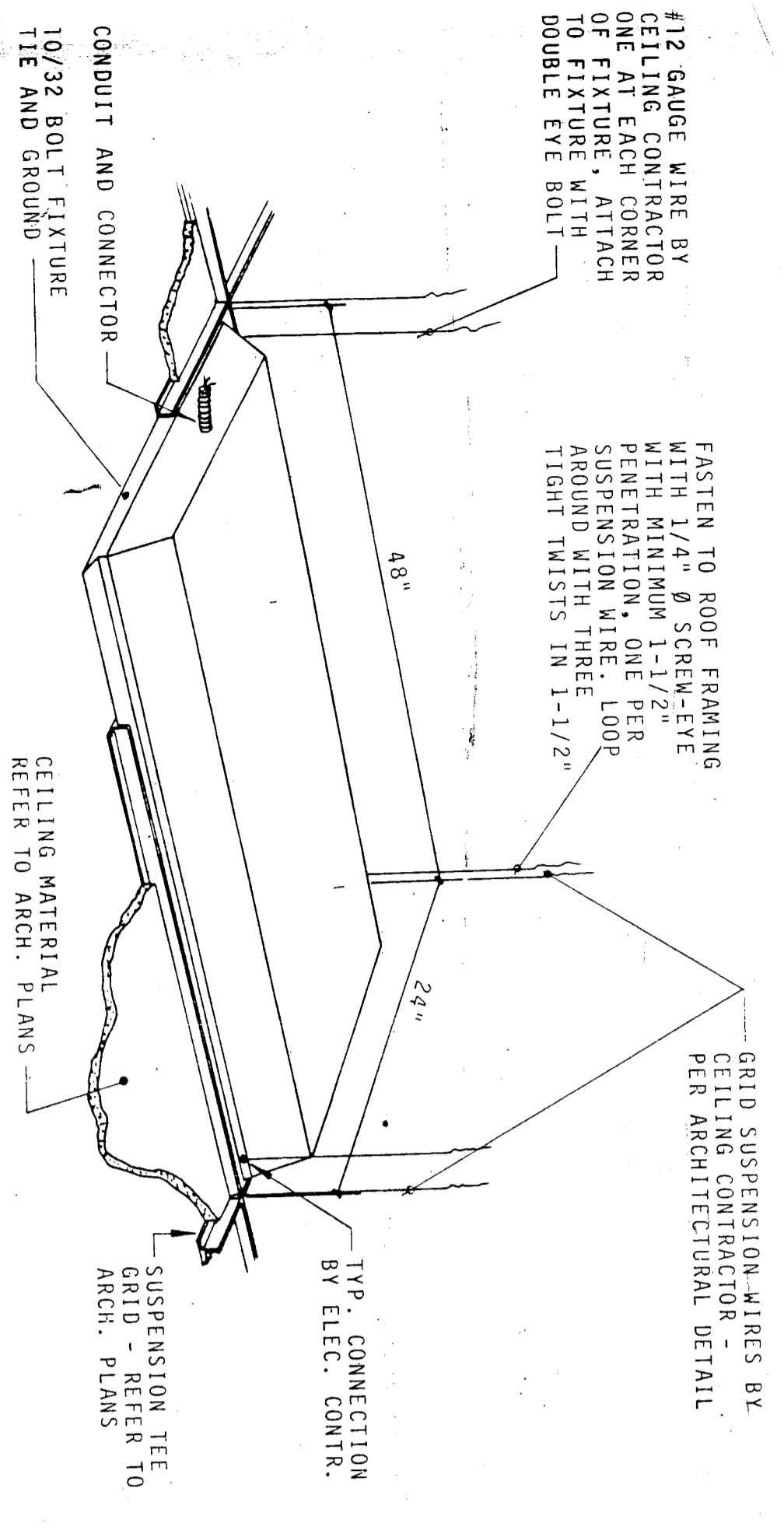
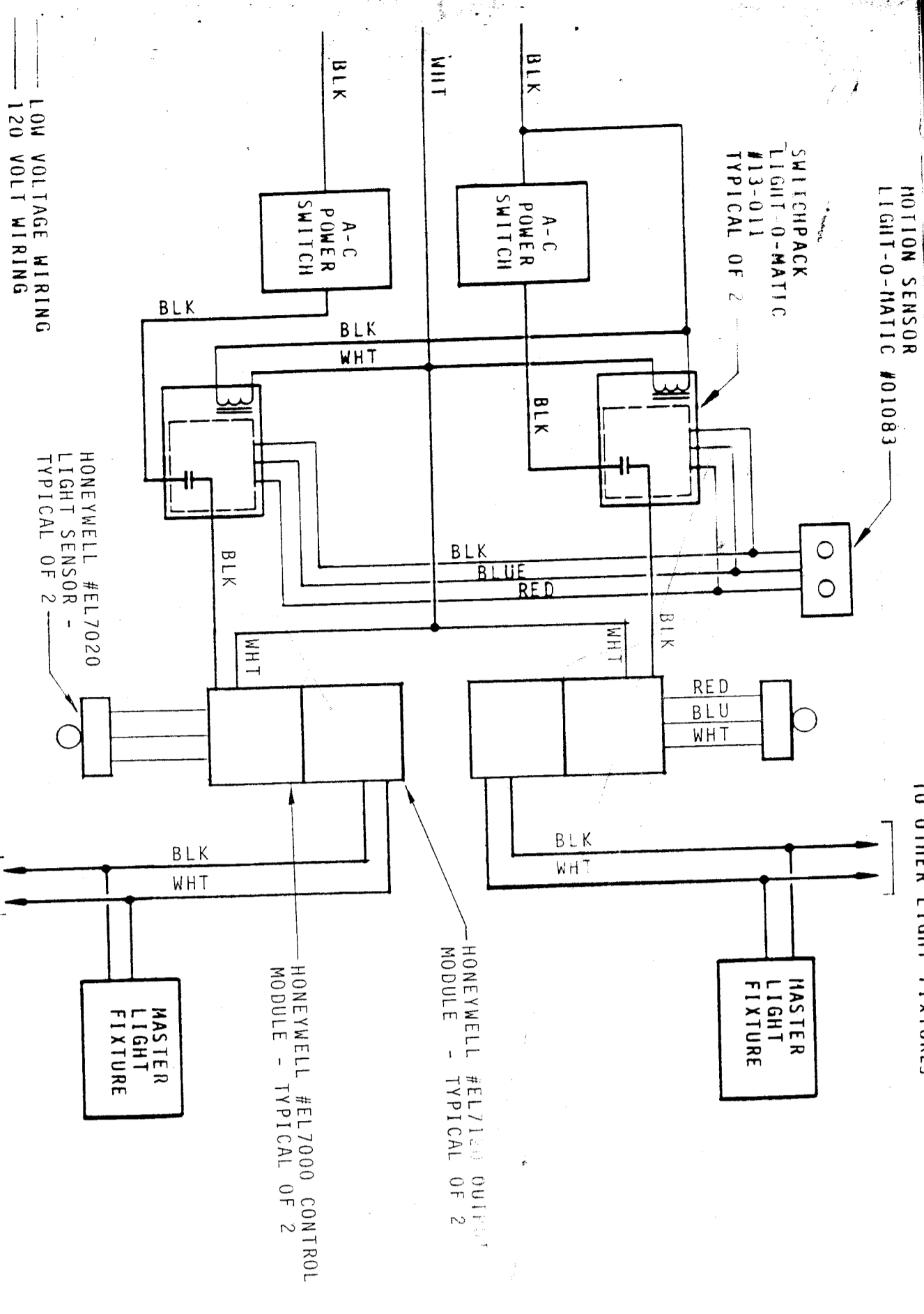


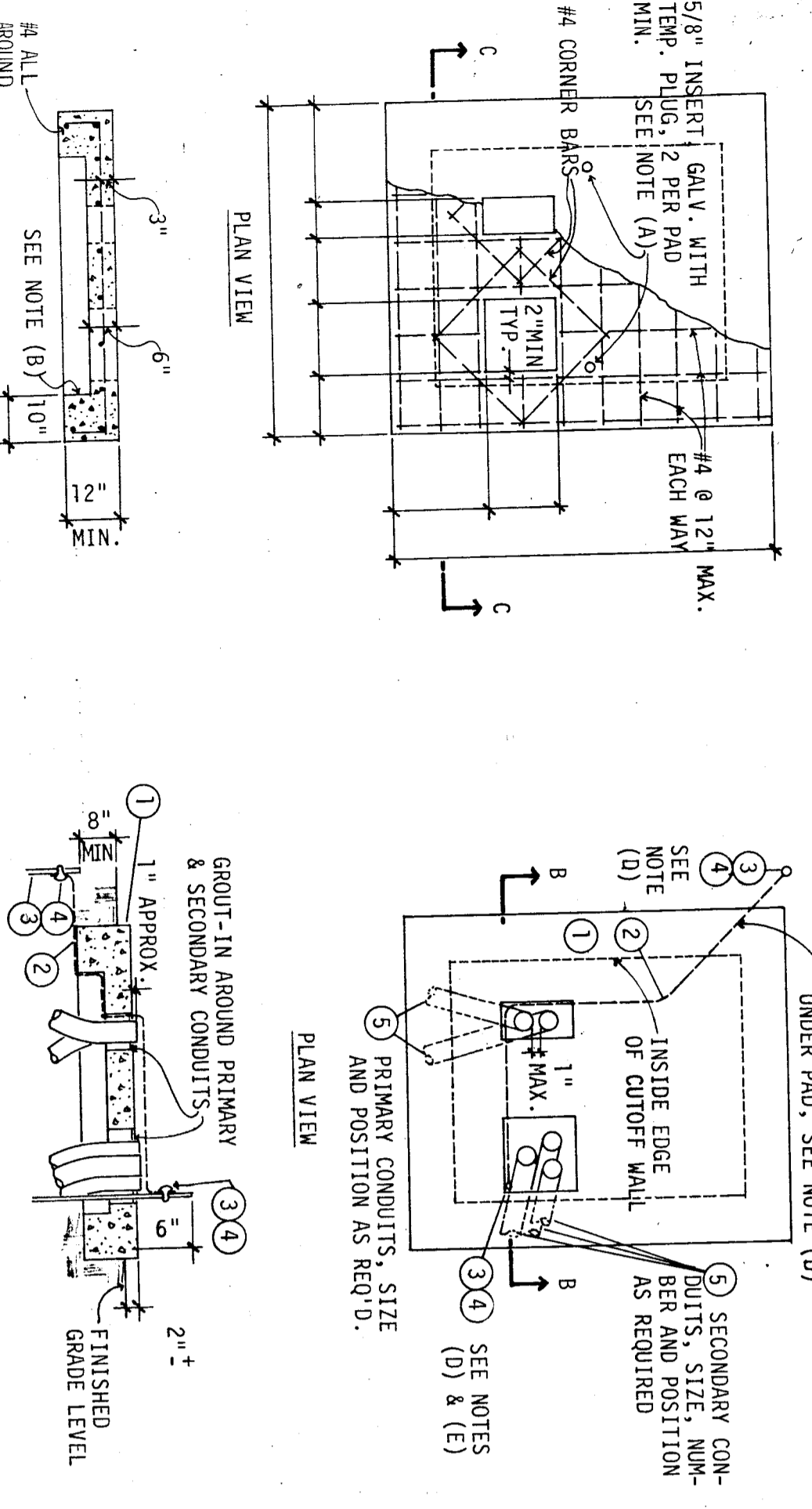
SURFACE FIXTURE MTG. DETAIL



RECESSED FIXTURE MTG. DETAIL

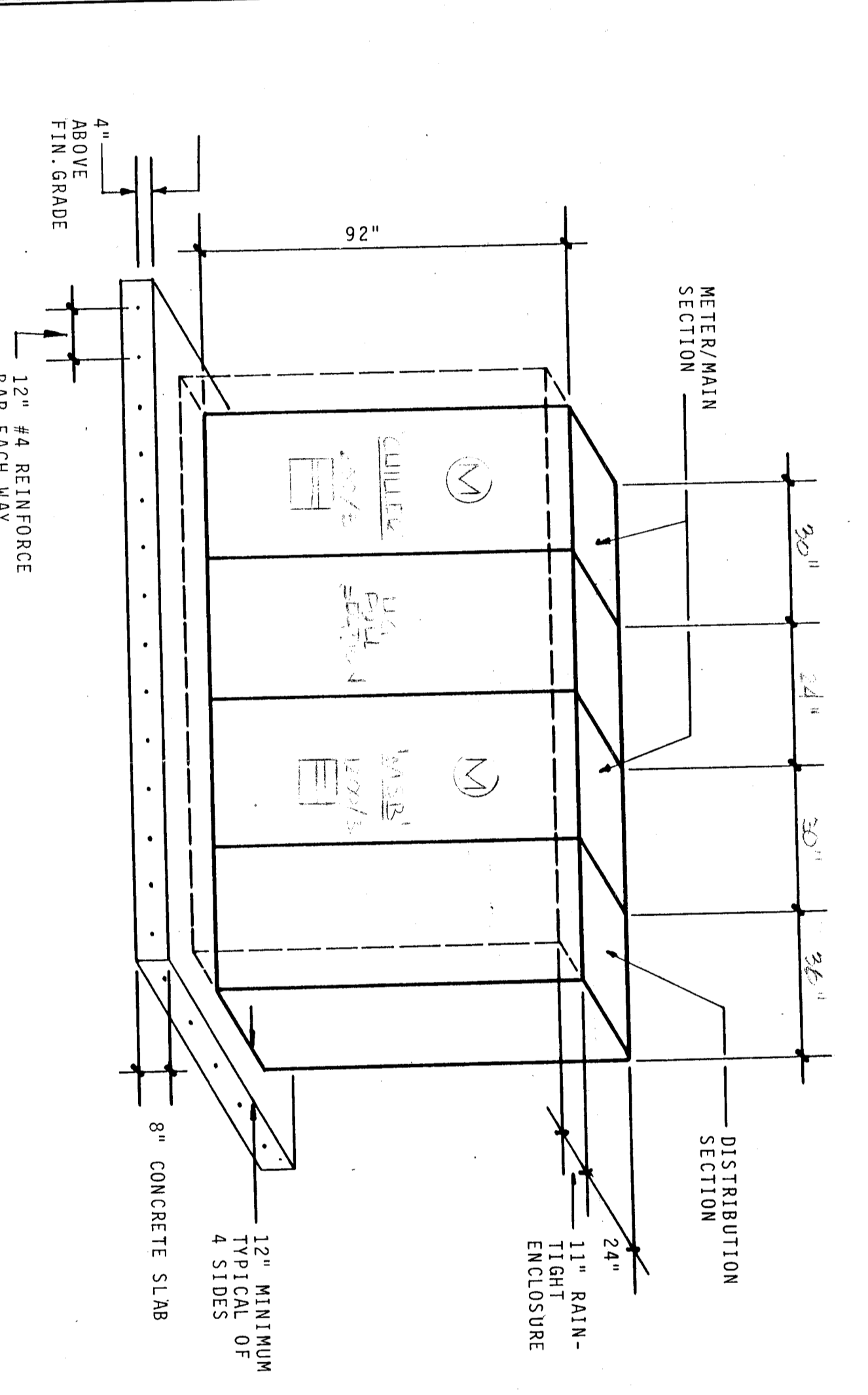


TYPICAL CLASSROOM LTG. CONTROL DIAGRAM

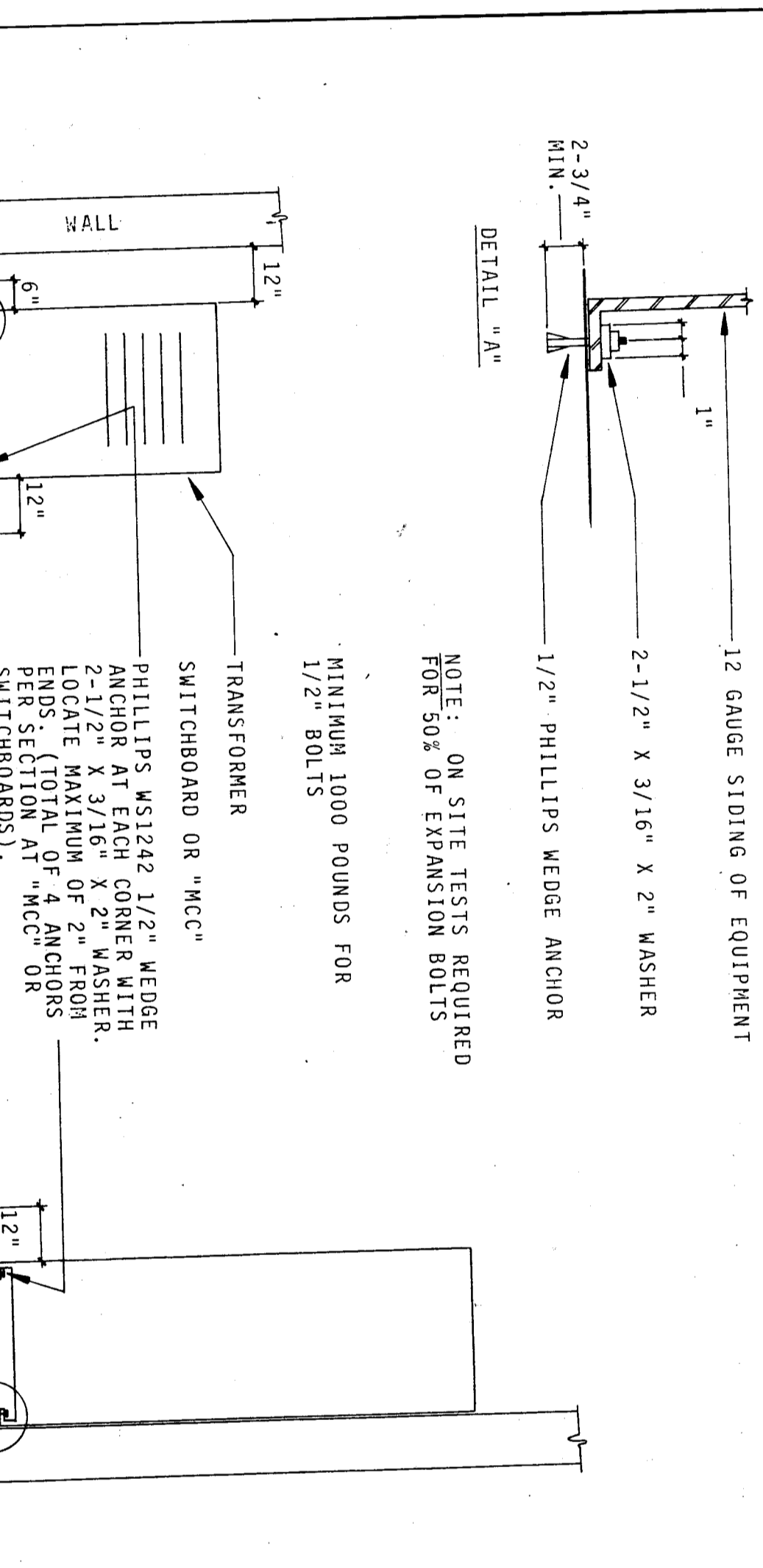


NOTES: (A) INSERTS ARE TO BE USED FOR LIFTING PRECAST PAD, RECESSED EMBEDS MAY BE USED AS AN ALTERNATE. (B) OMIT COVER WELLS ON PRECAST PADS. (C) OMIT CHUTE WELLS ON PRECAST PADS. (D) A 6\"/>

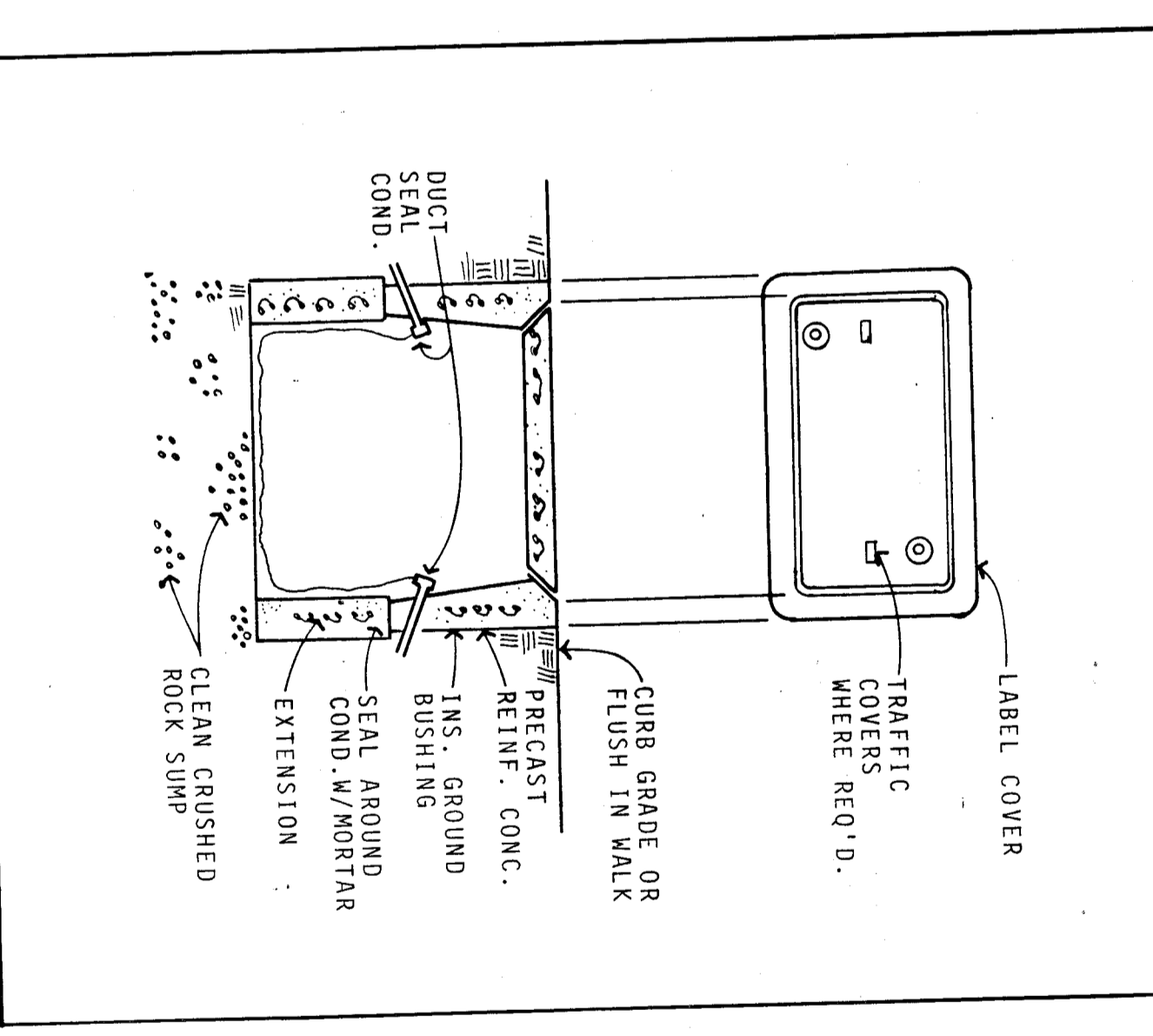
TYPE	DESCRIPTION	QTY	LAMPS	MTG.	VOLTS	REMARKS
A	COLUMBIA #P4-244G-48488-1 LITHONIA #PH1300-32	4	4 F40	REC.	120V	SEE DET 2 THIS SHT
B	COLUMBIA #P4-244G-48488-1 LITHONIA #PH1300-32	4	4 F40	REC.	120V	SEE DET 2 THIS SHT
C	COLUMBIA #P4-244G-48488-1 LITHONIA #PH1300-32	3	3 F40	REC.	120V	SEE DET 1 THIS SHT
D	KEYSTONE #UN200ES-4W-6A LITHONIA #UN200ES-4W-6A	2	2 F40	REC.	120V	SEE DET 1 THIS SHT
F	HOLSTANE #HEU-4-H LITHONIA #HEU-4-H	2	2 F40	REC.	120V	SEE DET 1 THIS SHT
G	#WLT70-700-1N-1-LN4 LITHONIA #WLT70-700-1N-1-LN4	2	2 F40	REC.	120V	SEE DET 1 THIS SHT
H	#WAT-240-LE3 LITHONIA #WAT-240-LE3	2	2 F40	REC.	120V	SEE DET 1 THIS SHT
J	#WAT-240-LE3 LITHONIA #WAT-240-LE3	2	2 F40	REC.	120V	SEE DET 1 THIS SHT
K	KEYSTONE #UN200ES-4W-6A LITHONIA #UN200ES-4W-6A	2	2 F40	REC.	120V	SEE DET 2 THIS SHT
X	HOLSTANE #HEU-4-H LITHONIA #HEU-4-H	2	2 F40	REC.	120V	SEE DET 2 THIS SHT



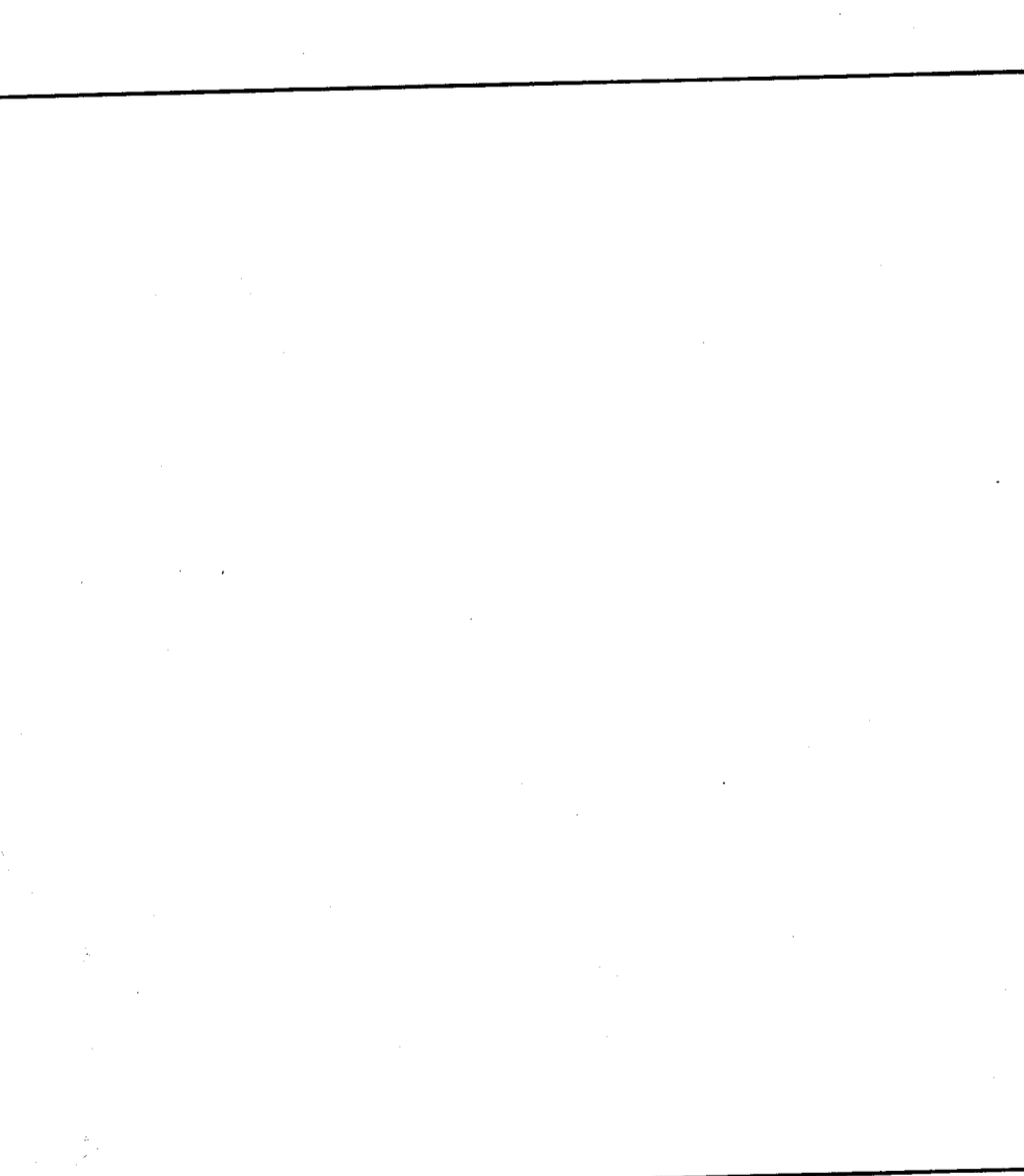
MAIN SWITCHBOARD ELEVATION



NOTE: ON SITE TESTS REQUIRED FOR 50% OF EXPANSION BOLTS MINIMUM 1000 POUNDS FOR 1/2\"/>



PULL BOX DETAIL



SWITCHBOARD / TRANSFORMER FASTENING DETAIL

UTILITY CO. TRANSFORMER PAD DETAIL 4 SWITCHBOARD / TRANSFORMER FASTENING DETAIL 6 PULL BOX DETAIL 7

ROOSEVELT SCHOOL MODERNIZATION

FOR
BAKERSFIELD CITY SCHOOL DISTRICT

DR. ARNOLD

brgc architects planners inc.
P.O. Box 9688 Bakersfield California 93320-9688
31 South Red Road 93308 (805) 832 8122

C-3132 W-0-084 C-8021 C-8702

Job No. 88-142
date 20JAN1988
drawn by EDV/
check by CRT
copy right H/S

4.00

DETAILS, DIAGRAMS, AND FIXTURE SCHEDULE