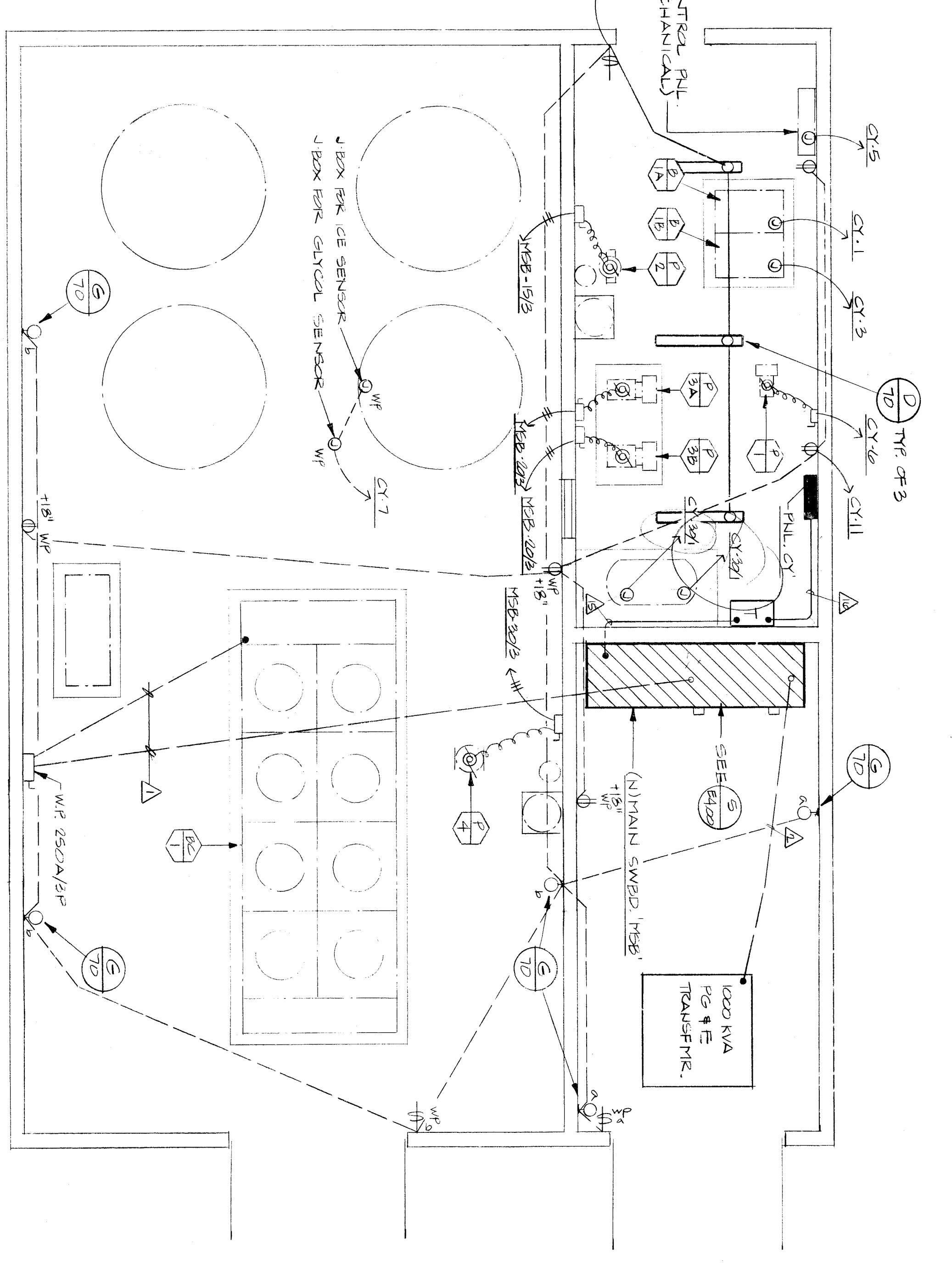
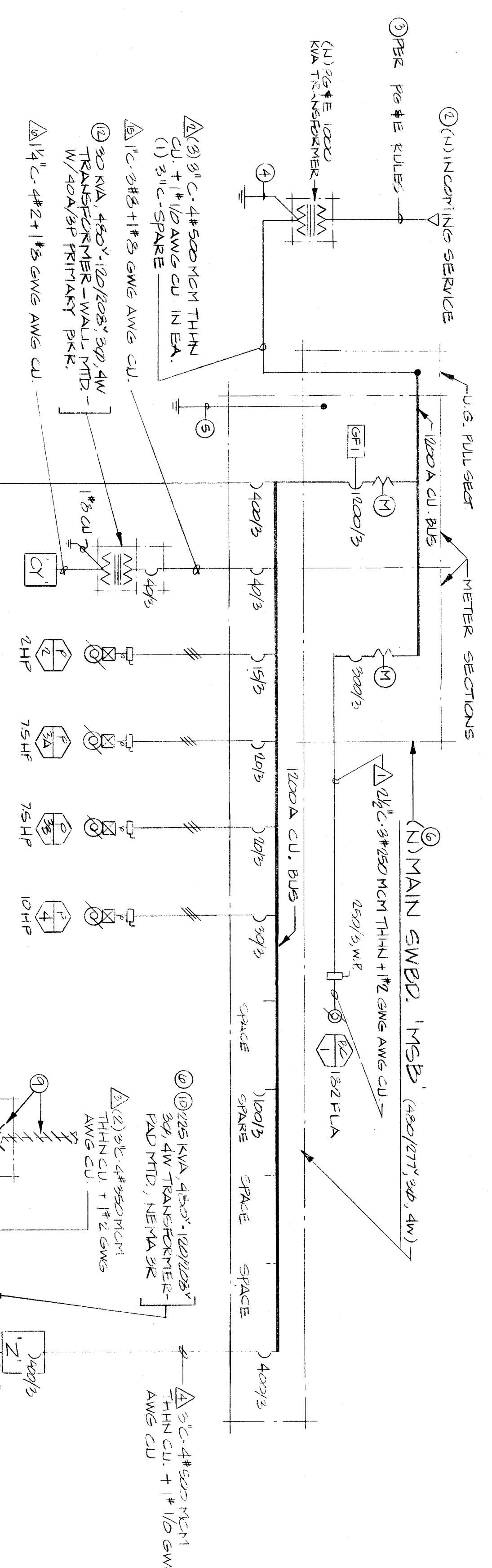
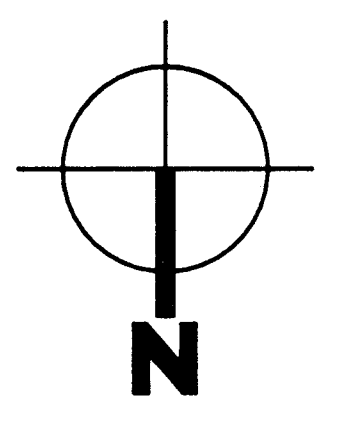


PANEL			TYPE		
CIRCUIT NUMBER	USE	LOAD TYPE	CIRCUIT NUMBER	USE	LOAD TYPE
01	FEEDER	CB	1	FEEDER	CB
02	FEEDER	CB	2	FEEDER	CB
03	FEEDER	CB	3	FEEDER	CB
04	FEEDER	CB	4	FEEDER	CB
05	FEEDER	CB	5	FEEDER	CB
06	FEEDER	CB	6	FEEDER	CB
07	FEEDER	CB	7	FEEDER	CB
08	FEEDER	CB	8	FEEDER	CB
09	FEEDER	CB	9	FEEDER	CB
10	FEEDER	CB	10	FEEDER	CB
11	FEEDER	CB	11	FEEDER	CB
12	FEEDER	CB	12	FEEDER	CB
13	FEEDER	CB	13	FEEDER	CB
14	FEEDER	CB	14	FEEDER	CB
15	FEEDER	CB	15	FEEDER	CB
16	FEEDER	CB	16	FEEDER	CB
17	FEEDER	CB	17	FEEDER	CB
18	FEEDER	CB	18	FEEDER	CB
19	FEEDER	CB	19	FEEDER	CB
20	FEEDER	CB	20	FEEDER	CB
21	FEEDER	CB	21	FEEDER	CB
22	FEEDER	CB	22	FEEDER	CB
23	FEEDER	CB	23	FEEDER	CB
24	FEEDER	CB	24	FEEDER	CB
25	FEEDER	CB	25	FEEDER	CB
26	FEEDER	CB	26	FEEDER	CB
27	FEEDER	CB	27	FEEDER	CB
28	FEEDER	CB	28	FEEDER	CB
29	FEEDER	CB	29	FEEDER	CB
30	FEEDER	CB	30	FEEDER	CB
31	FEEDER	CB	31	FEEDER	CB
32	FEEDER	CB	32	FEEDER	CB
33	FEEDER	CB	33	FEEDER	CB
34	FEEDER	CB	34	FEEDER	CB
35	FEEDER	CB	35	FEEDER	CB
36	FEEDER	CB	36	FEEDER	CB
37	FEEDER	CB	37	FEEDER	CB
38	FEEDER	CB	38	FEEDER	CB
39	FEEDER	CB	39	FEEDER	CB
40	FEEDER	CB	40	FEEDER	CB
41	FEEDER	CB	41	FEEDER	CB
42	FEEDER	CB	42	FEEDER	CB



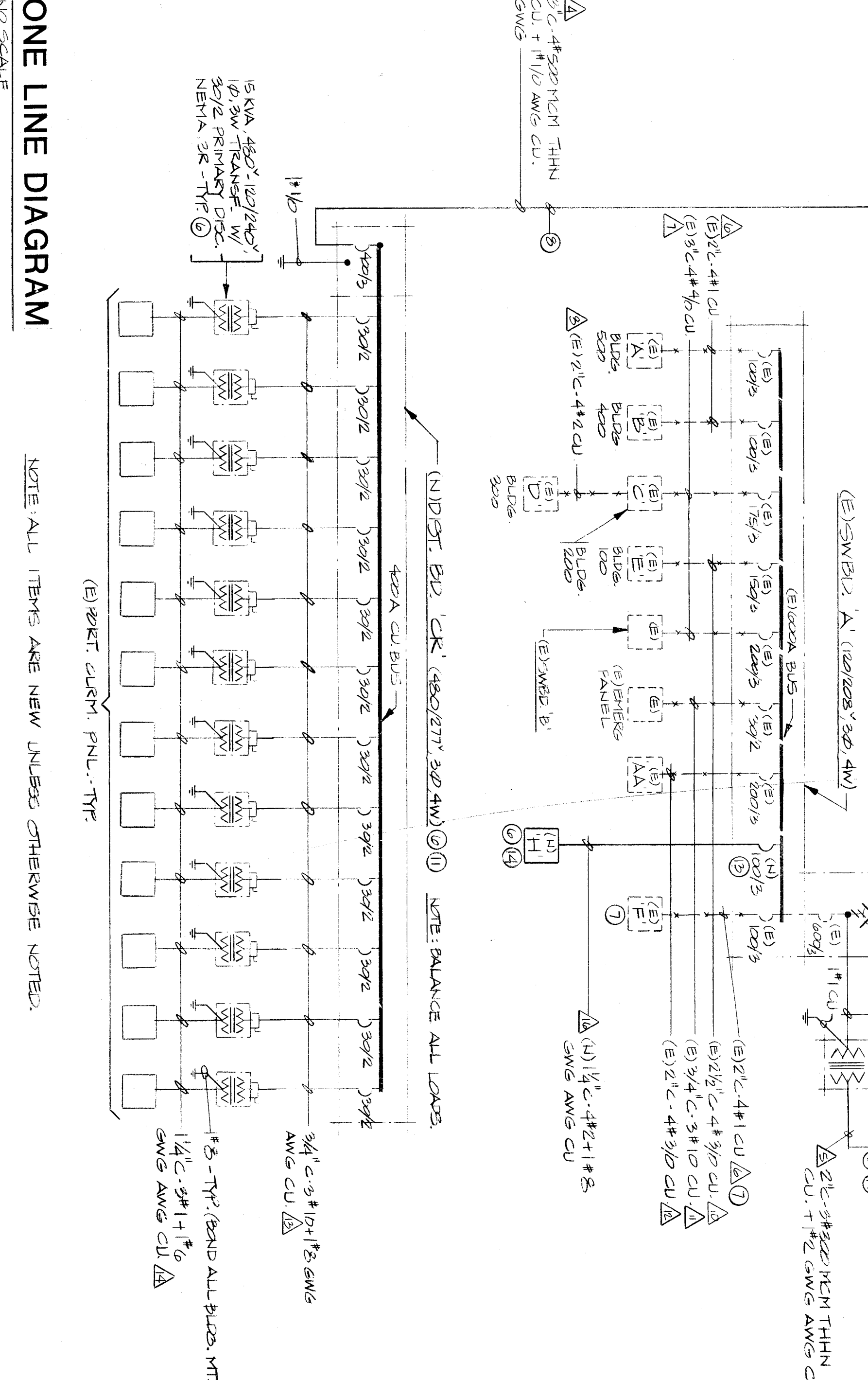
CHILLER YARD ELECTRICAL PLAN  
1/4" = 1'-0"



NOTES:

- SEE MECHANICAL PLANS FOR EXACT LOCATIONS OF MECHANICAL EQUIPMENT.
- CONTRACTOR TO DEFRAY ALL CHARGES FOR NEW P, G & E SERVICE.
- VERIFY CONDUIT SIZE WITH P, G & E PRIOR TO BID.
- GROUND P, G & E TRANSFORMER PER P, G & E RULES.
- COLD WATER PIPE GROUND PLUS UFER GROUND PER NEC ARTICLE 250.
- EXTERIOR ELECTRICAL EQUIPMENT TO BE RAINTIGHT, NEMA 3R.
- EXACT LOCATION OF PANEL, "P", AND SIZE AND LOCATION OF FEEDER TO PANEL "P" SHALL BE DETERMINED IN FIELD PRIOR TO BID.
- VERIFY EXACT LENGTH OF FEEDER PRIOR TO BID.
- EXISTING P, G & E SERVICE TO BE DISCONNECTED AND EXISTING METER BLANKED OFF AFTER NEW POWER IS CONNECTED AND FUNCTIONING.
- CONTRACTOR TO CONSTRUCT A CONCRETE PAD FOR NEW TRANSFORMER PER DETAIL 4/45.00.
- CONTRACTOR TO CONSTRUCT AN 8" (4" ABOVE GRADE, 4" BELOW GRADE) CONCRETE PAD FOR NEW SWITCHBOARD.
- NEW TRANSFORMER TO BE WALL MOUNTED TOP OF TRANSFORMER TO BE AT 6'-6".
- INSTALL NEW 100A/3P BREAKER IN EXISTING SPACE IN EXISTING SWITCHBOARD.
- INSTALL NEW PANELS AT BUILDING 100 - SEE EC-01.

ONE LINE DIAGRAM  
NO SCALE



SYMBOL	DESCRIPTION	REMARKS
☐	FLUORESCENT FIXTURE	SEE PLAN & FIXTURE SCHEDULE
○	RECESSED FIXTURE	SEE PLAN & FIXTURE SCHEDULE
○	MALL BRACKET FIXTURE	SEE PLAN & FIXTURE SCHEDULE
○	EXIT LIGHT FIXTURE	SEE PLAN & FIXTURE SCHEDULE
○	PORCELAIN RECEPTACLE	SEE PLAN & FIXTURE SCHEDULE
○	LOCAL SWITCH MTD. @ 48" MAX.	20 A - AC QUIET 277V
○	3-WAY SWITCH MTD. @ 48" MAX.	20 A - AC QUIET 277V
○	SWITCH WITH PILOT LITE	NEON IN HANDLE MTD. @ 48" MAX.
○	FIXTURE TO LOCAL SWITCH	SEE FIXTURE SCHEDULE
○	FIXTURE TYPE AND MATTAGE	REFER TO MECHANICAL DRAWINGS
○	DEMOTES MECHANICAL EQUIP.	20 A NEMA GROUNDED MTD. @ 12" MIN.
○	DUPLEX CONVENIENCE OUTLET	20 A NEMA GROUNDED MTD. @ 12" MIN.
○	FOURPLEX CONV. OUTLET	45 BOX & FLUSH PLATE MIN.
○	J-BOX AS REQUIRED	AS REQUIRED, MINIMUM 1" CONDUIT
○	TELEPHONE OUTLET	
○	DEMOTES EXISTING ITEM	
○	DEMOTES NEW ITEM	
○	(N) SIGNAL RACEWAY	UNLESS OTHERWISE NOTED
○	(N) WIRING IN CEILING	UNLESS OTHERWISE NOTED
○	(N) WIRING IN FLOOR OR WALL	UNLESS OTHERWISE NOTED
○	LTR. WIRING @ 4' OUTLET MTS.	SEE DETAIL 3/7E-100
○	SWITCHBACK	SEE DETAIL
○	MOTION DETECTOR	SEE DETAIL
○	PHOTOCELL	SEE DETAIL
○	SURFACE MTD. METAL RACEWAY	SEE PLANS & REF. NOTES
○	(E) WIRING	
○	(E) LIGHTING OUTLET	
○	(E) LIGHT SWITCH	
○	(E) DUPLEX OUTLET	
○	(E) THERMOSTAT	
○	DISCONNECT SWITCH	REFER TO MECHANICAL DRAWINGS
○	ELECTRICAL PANEL	REFER TO PANEL SCHEDULE
○	TERMINAL CABINET	
○	GROUND FAULT INTERRUPTING	
○	WEATHERPROOF	
○	FIRE ALARM FLASHING LITE	PACKAGED #55916 CEM # 7155-055101
○	HORN AND FLASHING LITE	PACKAGED #61010/0510 CEM # 7155-055101
○	IONIZATION SMOKE DETECTOR	PACKAGED #94420 CEM # 7267-055110
○	HEAT DETECTOR, FIXED TEMP. IN ATTIC	PACKAGED #93488 CEM # 7210-055115
○	HEAT DETECTOR, FIXED TEMP. IN ATTIC	PACKAGED #7150-0551104 CEM # 7150-0551104
○	MANUAL PULL STATION	
○	ZONE NUMBER - DEVICE NUMBER	
○	END OF LINE DEVICE	
○	HEAT DETECTOR, FIXED TEMP.	
○	FIRE ALARM CONTROL PANEL	PACKAGED #11948 CEM # 7155-055101
○	CLOCK	PACKAGED #11948 CEM # 7155-055101
○	CLOCK MTD. #34"	CONNECT TO (N) MTR. CLK
○	CLOCK MTR.	PACKAGED #2311E/18205 PACKAGED #14201/14202 PACKAGED #4454-AC
○	CLK BELL MTD. #34"	

LOAD SUMMARY	AMPS
PANELS:	
A	23.0 KM
B	285.0 KM
C (INCLUDES "D")	39.0 KM
E	37.0 KM
F	13.0 KM
AA	50.0 KM
EXISTING SWITCHBOARD "B"	50.0 KM
EXISTING EMERGENCY PANEL	5.0 KM
H	25.0 KM
CHL:	18.0 KM
PORTABLE CLASSROOMS: 12K X 12	144.0 KM
PUMPS:	
P-2 (2 HP)	2.0 KM
P-3A (7.5 HP)	6.0 KM
P-3B (7.5 HP)	6.0 KM
P-4 (10 HP)	10.0 KM
CHILLER: 182 FLA	121.0 KM
SUBTOTAL	998.0 KM
+121 KW LARGEST MOTOR	121.0 KM
TOTAL	1119.0 KM
* 959 AMPS AT 480/277V, 3Ø, 4W	

FOR  
ROOSEVELT  
SCHOOL  
MODERNIZATION

BAKERSFIELD CITY SCHOOL  
DISTRICT

DR. ORTEGA

big architects planners inc.  
8400 99th Boulevard California 93309-9908  
(805) 832 8122

Job no. 08-142  
date 20 JAN 1998  
drawn by RCW  
chk'd by CE  
copyright 1998

0.00