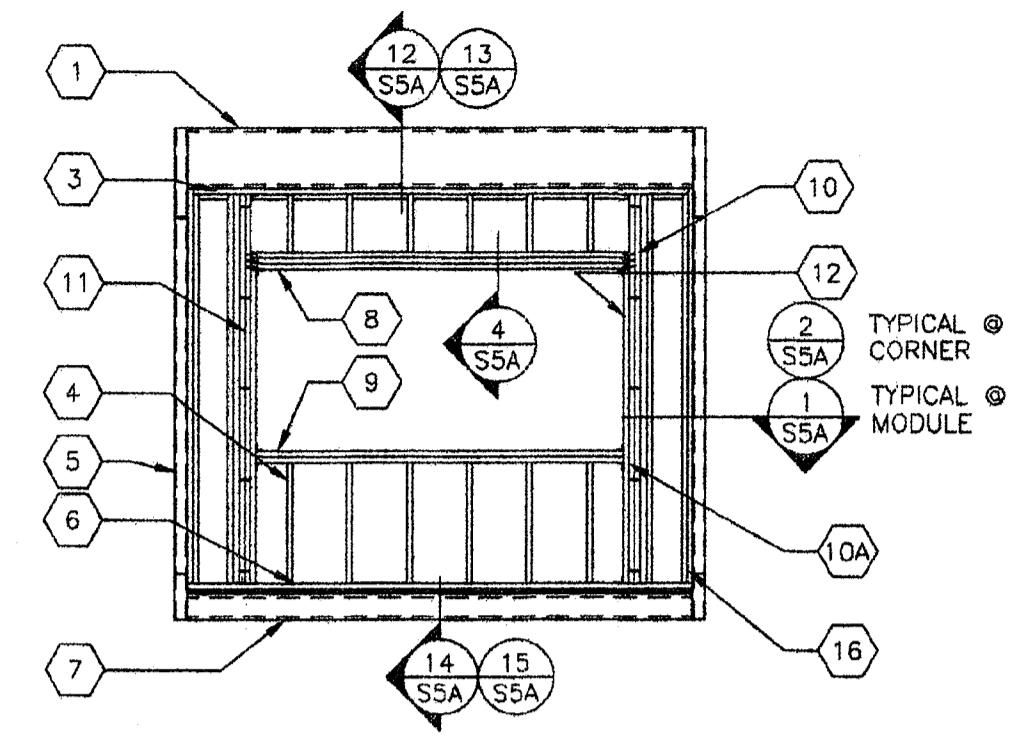
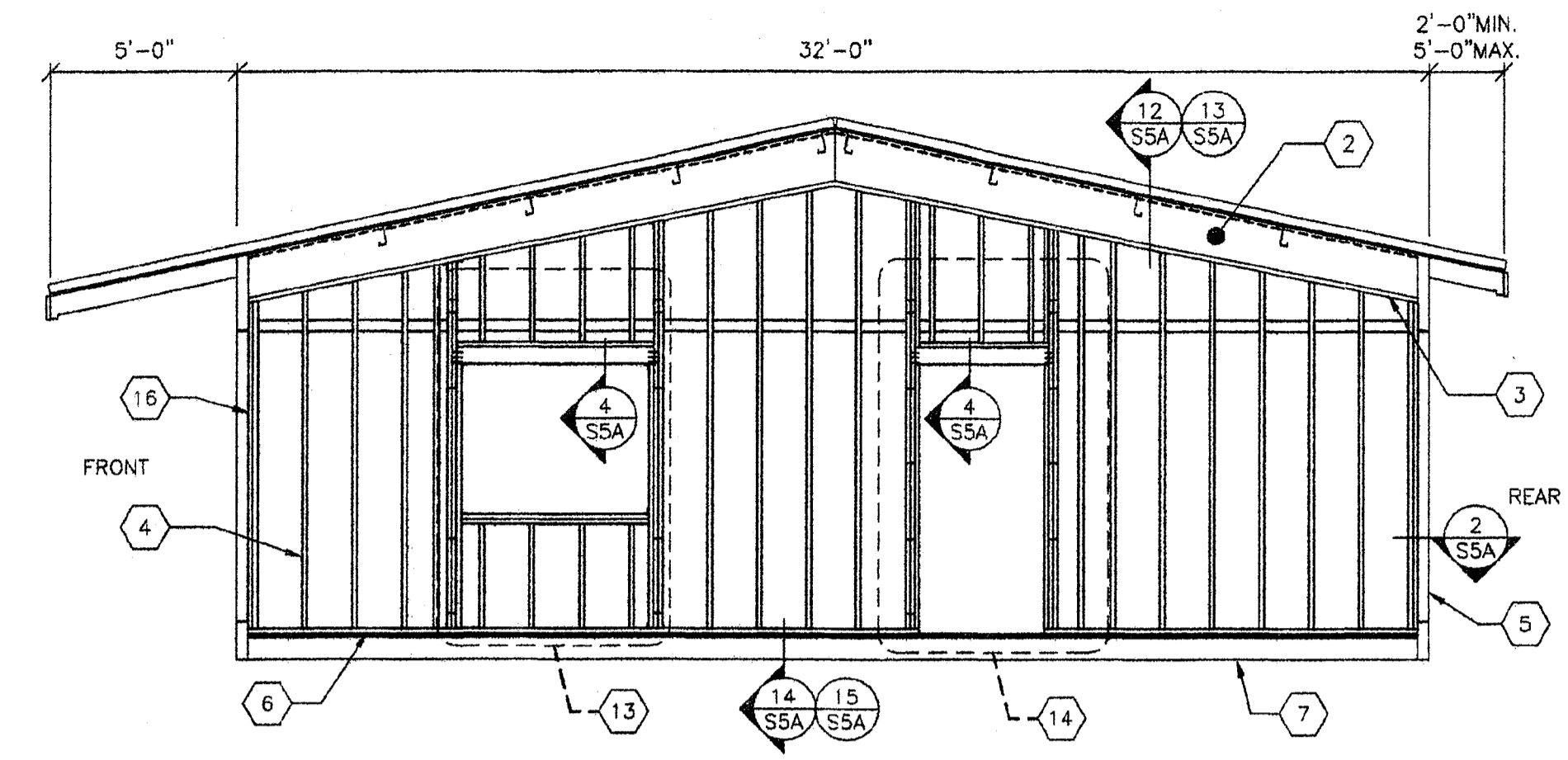


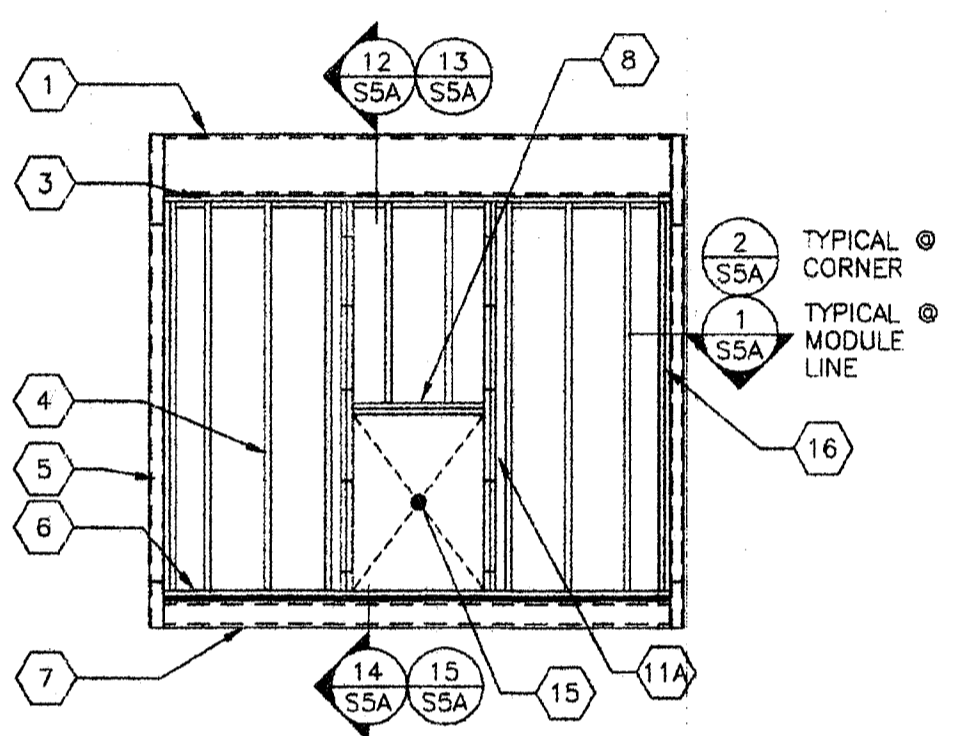
1 TYP END WALL FRAMING W/NO OPENINGS
S5 1/4"=1'-0"



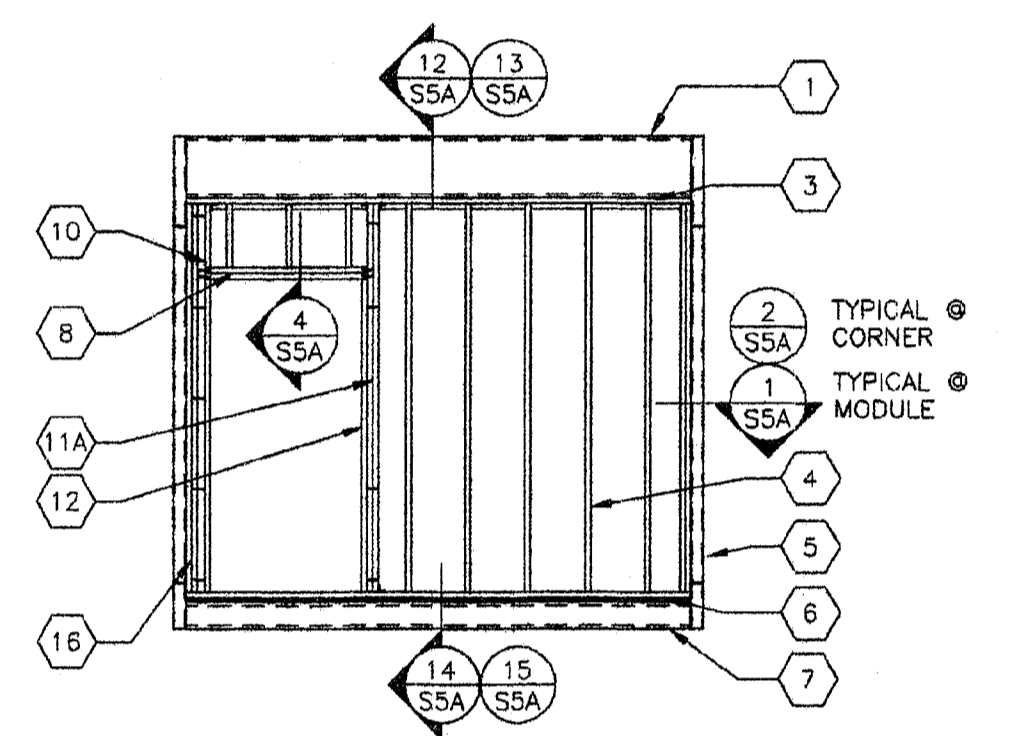
2 TYP END WALL FRAMING W/WINDOW
S5 1/4"=1'-0"



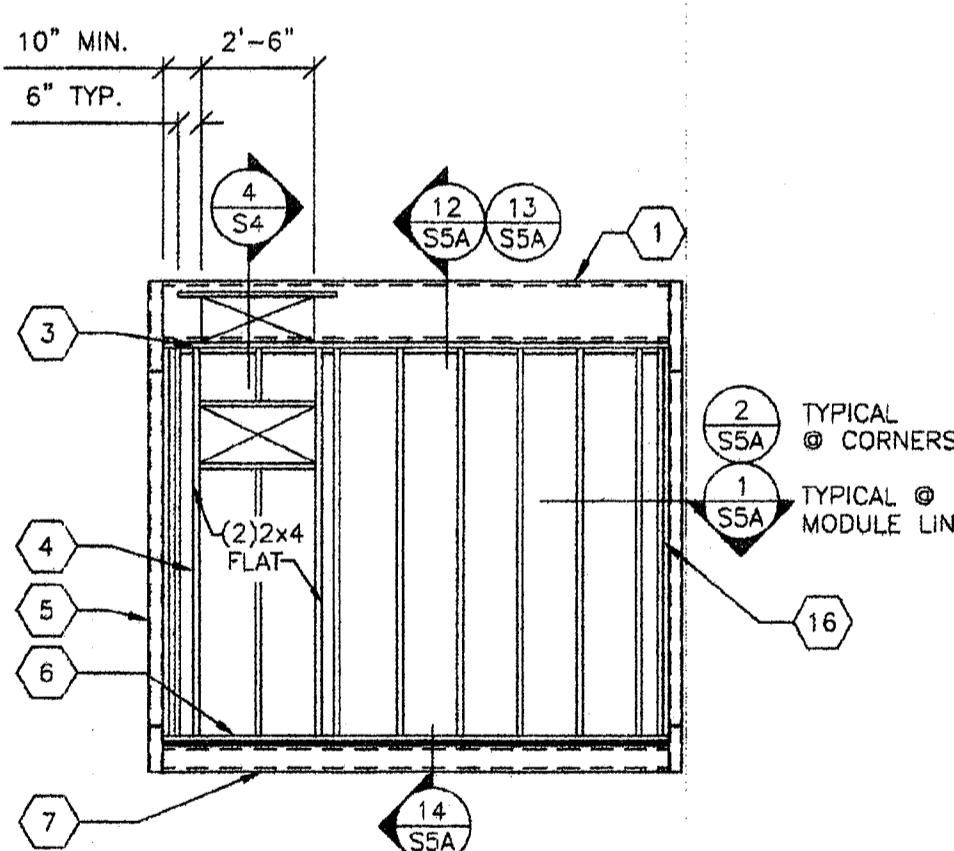
6 TYP SIDE WALL FRAMING
S5 1/4"=1'-0"



3 TYP END WALL FRAMING W/INDOOR HVAC UNIT
S5 1/4"=1'-0" OPTIONAL



4 TYP END WALL FRAMING W/DOOR
S5 1/4"=1'-0"



5 TYP END WALL FRAMING W/WALL HUNG HVAC UNIT
S5 1/4"=1'-0" OPTIONAL

- KEY NOTES -

- 1 TRANSVERSE ROOF BEAM
- 2 LONGITUDINAL ROOF BEAM
- 3 2x HEM FIR #2 TOP PLATE
- 4 2x4 STUDS SPACED PER SCHEDULE W/(3), 1.31x3" NAILS @ EA. END @ TRANSVERSE WALLS. (2) 2x4 5 OR (1) 2x6 STUDS SPACED PER SCHEDULE W/(3), 1.31x3" NAILS @ EACH END @ LONGITUDINAL WALLS
- 5 HSS COLUMN
- 6 2x HEM FIR #2 BOTTOM PLATE
2x PT @ CONCRETE FLOORS
- 7 PERIMETER FLOOR BEAM
- 8 HEADER
PER DETAIL 4/S5A
- 9 (2) 2x HEM FIR #2 WINDOW SILL PLATE
- 10 (7), 1.31x3" END NAILS HEADER TO KING STUDS
- 10A (5), 1.31x3" END NAILS OR
(2) A34 CLIPS WINDOW SILL TO KING STUDS
- 11 (3) 2x HEM FIR #2 KING STUDS W/(2) A34 T&B TO PLATES @ TRANSVERSE WALLS.
(6) 2x HEM FIR #2 KING STUDS W/(2) A34 CLIPS T & B TO PLATES @ LONGITUDINAL WALLS.
INTERNAL KING STUDS WITH .131 X 3" NAILS @ 12" O.C.
- 11A (2) 2x HEM FIR #2 KING STUDS W/(2) A34 CLIPS T & B TO PLATES
INTERNAL KING STUDS WITH .131 X 3" NAILS @ 12" O.C.
- 12 2x HEM FIR #2 TRIMMER
- 13 OPTIONAL WINDOW OPENING
MAX 6'-0" WIDE
(REFER TO 2/SS FOR DETAILS AND FLOOR PLANS FOR LOCATIONS)
- 14 OPTIONAL DOOR OPENING
(REFER TO 4/SS FOR DETAILS AND FLOOR/PLANS FOR LOCATIONS)
- 15 HVAC OPENINGS @ INDOOR UNIT
- 16 2x NAILER

EXTERIOR WALL FINISH/WALL STUD SCHEDULE					
FINISH TYPE	FOUNDATION TYPE	WALL FINISH COMMENTS	STUD TYPE	STUD SPACING TYPICAL	STUD SPACING @ CORNERS
5/8" PLYWOOD SHEATHING 303 CONFORMING TO PS1-95, VERTICAL GROOVES @ 8" OC	WOOD OR CONCRETE	JOINT DETAIL SEE 9/S2B NAILING PER BLDG SECTIONS	HEM FIR #2 DOUG FIR #2	@ 16" OC @ 16" OC	@ 16" OC @ 16" OC
5/16" HARDIBOARD WITH SYNTHETIC STUCCO EXPOSURE 1 WITH 7/8" STUCCO	WOOD OR CONCRETE	JOINT DETAIL AND NAILING PER DETAIL 1 SHEET 2	HEM FIR #2 DOUG FIR #2	@ 16" OC @ 16" OC	@ 16" OC @ 16" OC
1/2" PLYWOOD SHEATHING CONFORMING TO PS1-07, APA RATED, 5 PLY 32/16, EXPOSURE 1 WITH 7/8" STUCCO	CONCRETE ONLY	NAILING PER BLDG SECTIONS	HEM FIR #2 DOUG FIR #2	@ 16" OC @ 16" OC	@ 16" OC @ 16" OC

1. ALL NAILS IN EXTERIOR APPLICATIONS TO BE GALVANIZED.
2. WALL CORNERS ARE DEFINED AS A DISTANCE OF 6'-6" IN BOTH DIRECTIONS FROM EACH CORNER OF THE BUILDING. WALL CORNER STUD SPACING REQUIREMENTS ONLY NEED TO BE MET WHEN THE GROSS FLOOR AREA IS EQUAL TO OR GREATER THAN 2160 SQUARE FEET.

IDENTIFICATION STAMP
DIV. OF THE STATE ARCHITECT
CS 112884
AC FLS SS
DATE 8-18-09

REVISIONS		
NO	DATE	DESCRIPTION

DATE: 02/12/08
SCALE: NOTED
DRAWN BY: DM
SERIAL NO.:

CUSTOMER:
2 1/2:12 PITCHED ROOF 30' x 32' THRU 120' x 32' RELOCATABLE BUILDINGS
WALL FRAMING ELEVATIONS

AMS
American Modular Systems Inc.
787 Sprockels Ave. Manteca, CA 95336
(209)826-1921 Fax: (209)826-7018
americanmodular.com

APPROVALS:
THESE DRAWINGS ARE PRELIMINARY AND NOT FOR CONSTRUCTION UNLESS STAMPED & SIGNED BY THE ENGINEER OF RECORD.
REGISTERED PROFESSIONAL ENGINEER
Kenneth A. Lubert
No. 1419
Exp. 9-31-11
Structural Engineer
STATE OF CALIFORNIA

IDENTIFICATION STAMP
DIV. OF THE STATE ARCHITECT
OFFICE OF REGULATION SERVICES
PC 02-109701
AC FLS SS
DATE 8/19/09
PROJECT No.
S5

THESE DRAWINGS AND SPECIFICATIONS ARE THE PROPERTY OF AMERICAN MODULAR SYSTEMS AND ARE NOT TO BE REPRODUCED, CHANGED OR COPIED IN ANY FORM OR MANNER, NOR ARE THEY TO BE ASSIGNED TO ANY THIRD PARTY WITHOUT THE WRITTEN AUTHORIZATION OF AMERICAN MODULAR SYSTEMS.