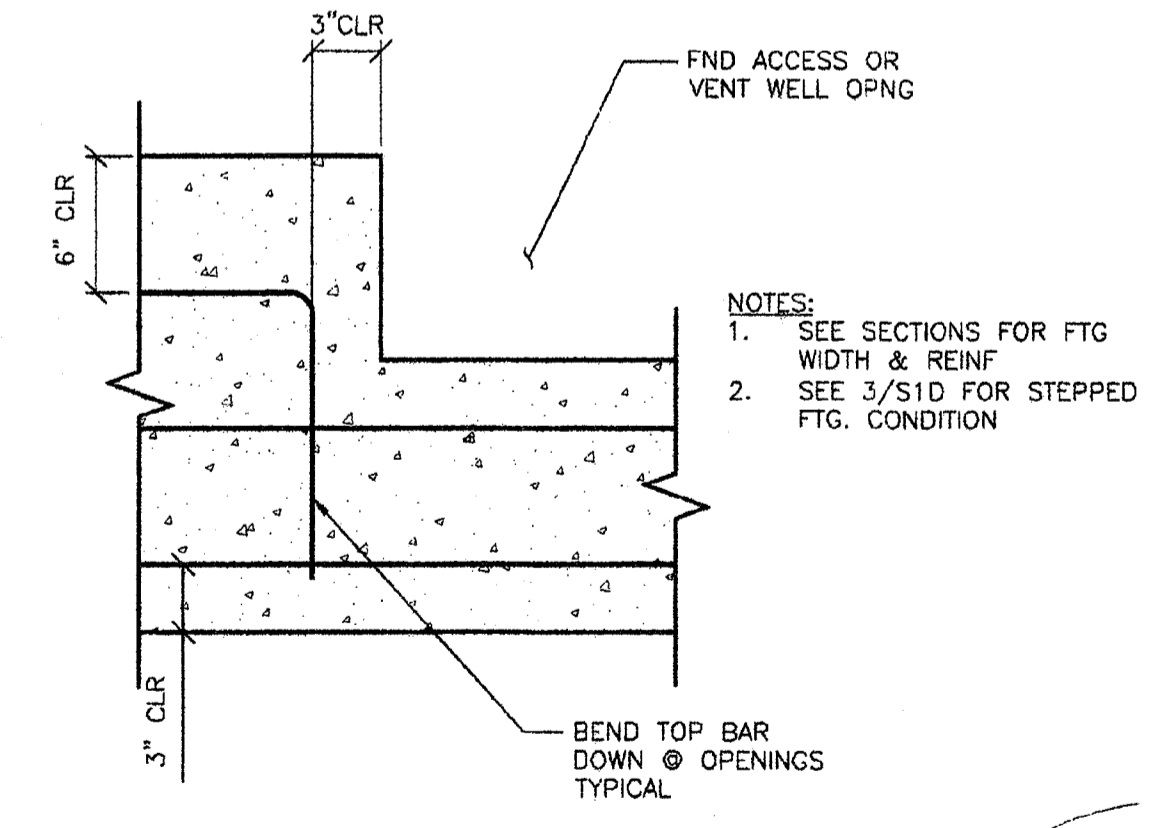
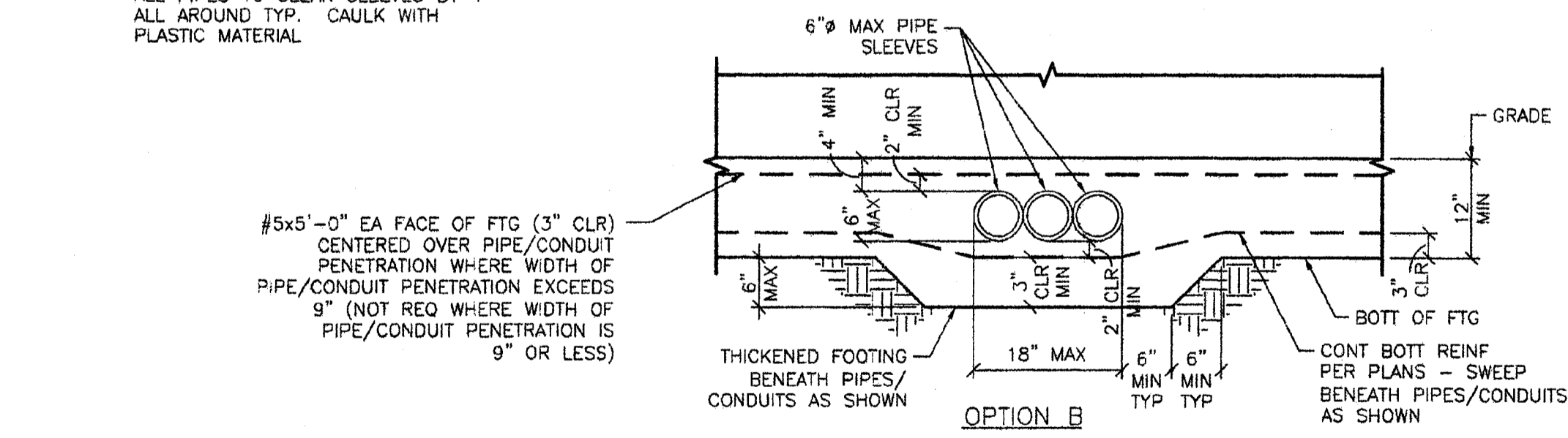
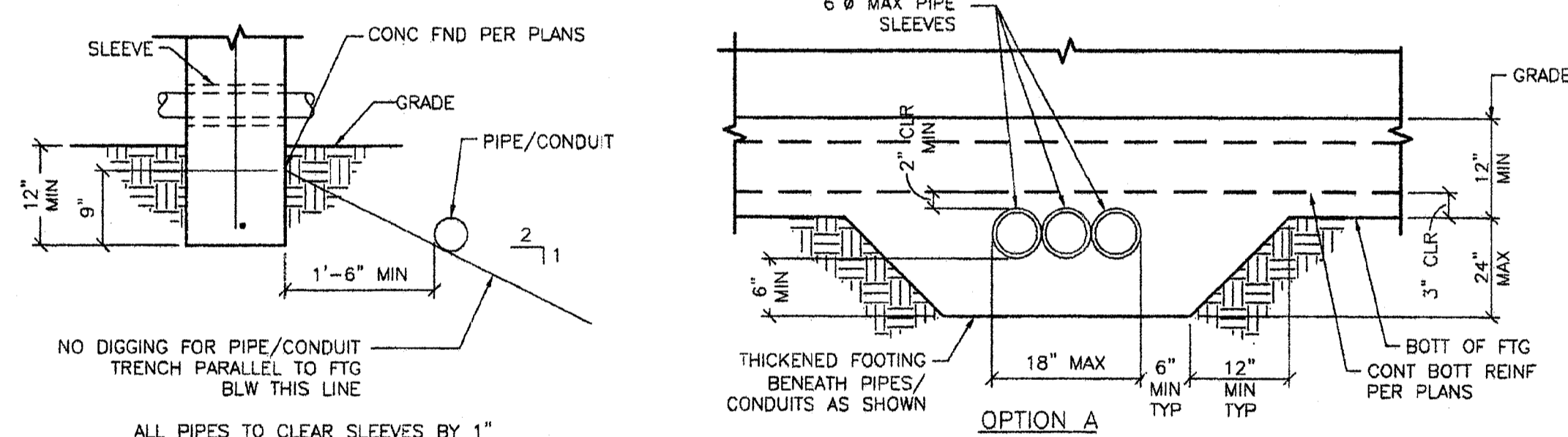


ANCHOR TYPE	HILTI KWIK KB-TZ ICC ESR-1917			SIMPSON STRONG-BOLT ICC ESR-1771		
ANCHOR SIZE (IN)	1/2"	5/8"	3/4"	1/2"	5/8"	3/4"
MIN EMBED (IN)	4"	4 3/4"	5 3/4"	3 7/8"	5 1/8"	5 3/4"
TENSION TEST LBS (SINGLE BOLT)	5121#	7395#	7456#	3826#	6379#	5150#
TENSION TEST LBS (DOUBLE BOLT)	5121#	6174#	5889#	3826#	5102#	4122#
INSTALLATION TORQUE (FT-LB)	40	60	110	50	85	180

- TENSION TEST - 2 x ALLOWABLE TENSION LOAD PER DSA IR 19-1.
- NORMAL WEIGHT CONCRETE WITH $f'_c = 2500$ PSI TO COMPLY WITH 1916A.4 FOR MATERIAL TEST WAIVER.
- MINIMUM EDGE DISTANCE REQUIRED 4 5/8"

4 ANCHOR BOLT SCHEDULE
SID N.T.S.

- NOTES:
- AS AN OPTION TO INDIVIDUAL PIPE SLEEVES THE FOOTING MAY BE BLOCKED OUT FOR MULTIPLE PIPES (8" HIGH x 18" WIDE MAX @ OPTION "A", 6" HIGH x 18" WIDE MAX OPTION "B") PROVIDE 1" MIN CLEARANCE ALL AROUND BTWN PIPES/CONDUITS & BLOCKOUT/SLEEVES & FILL W/ CAULK.
 - CONCRETE SHALL BE WELL CONSOLIDATED AROUND & UNDER PIPES, CONDUITS, SLEEVES, BLOCKOUTS TO PREVENT CONCRETE VOIDS.
 - PROVIDE 2" CLEAR MIN BETWEEN BLOCKOUT/SLEEVES AND REINFORCEMENT.
 - WHERE TOP OF PIPES/CONDUITS ARE 12" OR MORE BELOW THE BOTTOM OF THE FOOTING, THICKENED FOOTING AROUND PIPES/CONDUITS IS NOT REQUIRED. BACKFILL & COMPACT TO 95% OVER PIPES/CONDUITS PRIOR TO PLACING FOOTING.



REVISIONS		
NO	DATE	DESCRIPTION

DATE: 04/27/08
SCALE: NOTED
DRAWN BY: D.M
SERIAL NO.:

CUSTOMER:
2 1/2:12 PITCHED ROOF 30' x 32' THRU 120' x 32' RELOCATABLE BUILDINGS
CONCRETE FOOTING DETAILS

AMS
American Modular Systems Inc.
787 Spreckels Ave, Menlo Park, CA 94035
(209)825-1821 Fax: (209)825-7018
americanmodular.com

APPROVALS:
RESISTED PROFESSIONAL ENGINEER
Kenneth A. Lattell
No. 1418
Exp. 3-31-11
Structural Engineer
STATE OF CALIFORNIA

IDENTIFICATION STAMP
DIV. OF THE STATE ARCHITECT
02 112884
AC FLS SS
DATE 8-18-09

IDENTIFICATION STAMP
DIV. OF THE STATE ARCHITECT
OFFICE OF REGULATION SERVICES
PC 02-109701
AC FLS SS
DATE 8/19/09

PROJECT No.
S1D

THESE DRAWINGS AND SPECIFICATIONS ARE THE PROPERTY OF AMERICAN MODULAR SYSTEMS, INC. AND ARE NOT TO BE REPRODUCED, CHANGED OR COPIED IN ANY FORM OR MANNER, AND ARE TO BE APPROVED, CHANGED OR COPIED BY THE WRITER, AUTHORIZATION OF AMERICAN MODULAR SYSTEMS, INC.