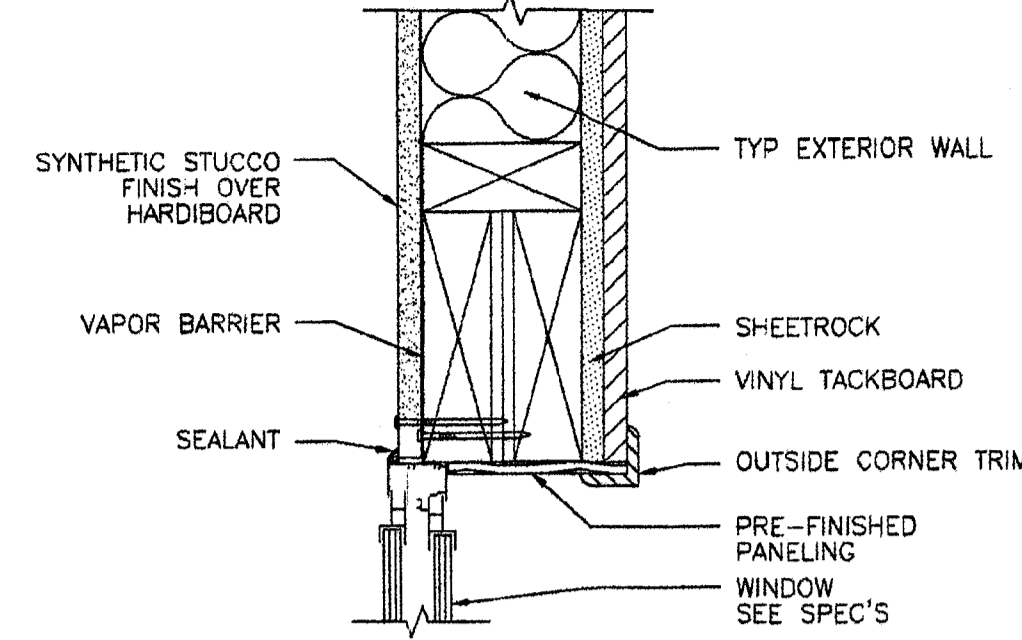
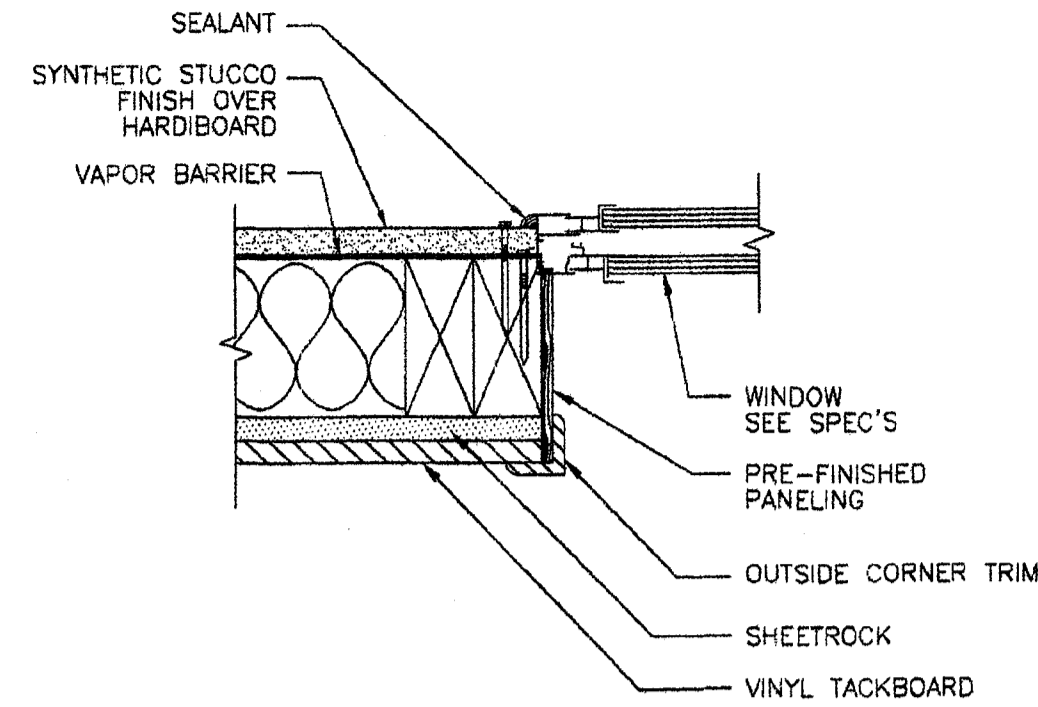


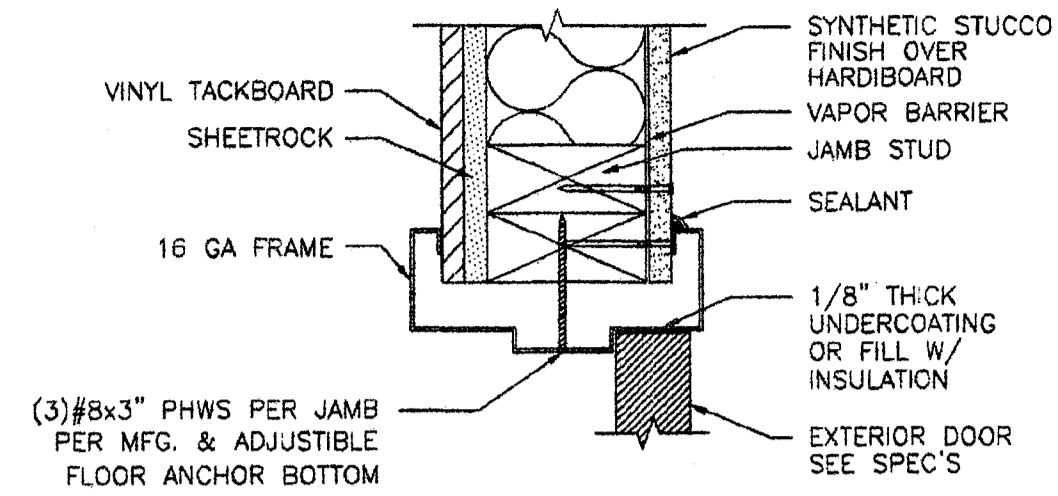
1 TYP WINDOW SILL DETAIL  
ABA 3'-1'-0"



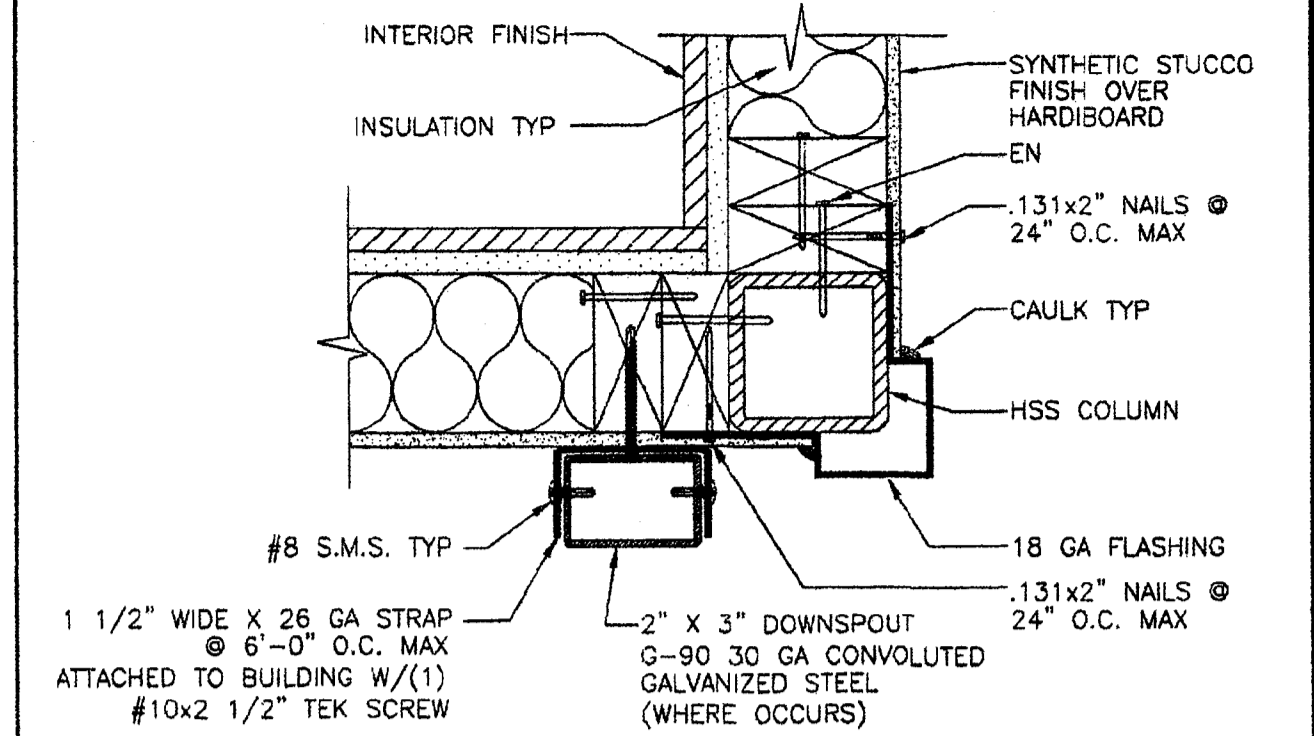
2 TYP WINDOW HEADER DETAIL  
ABA 3'-1'-0"



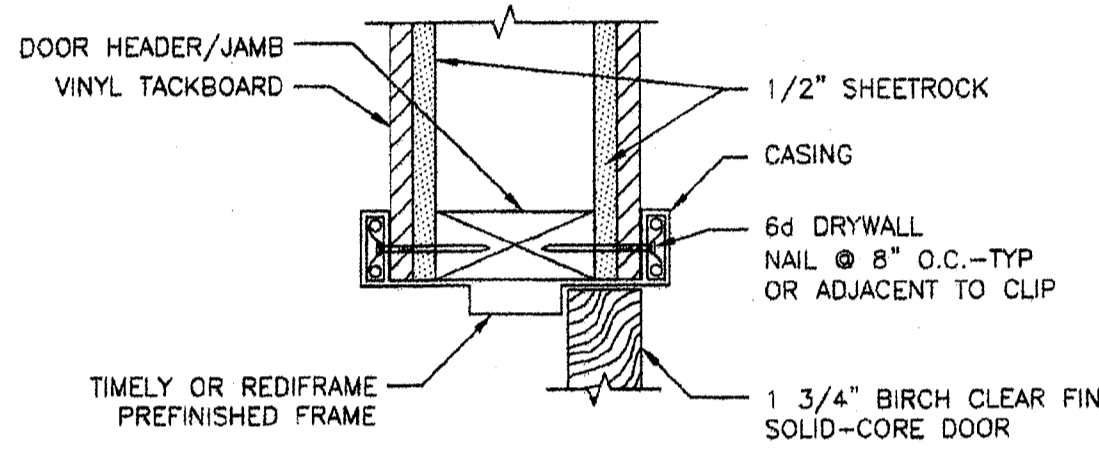
3 TYP WINDOW JAMB DETAIL  
ABA 3'-1'-0"



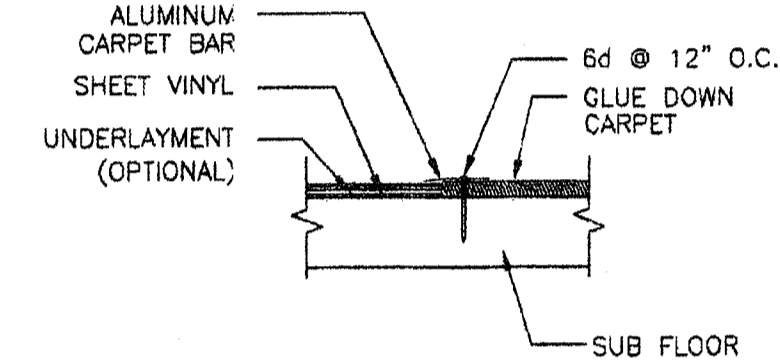
4 TYP DOOR JAMB DETAIL  
ABA 3'-1'-0"



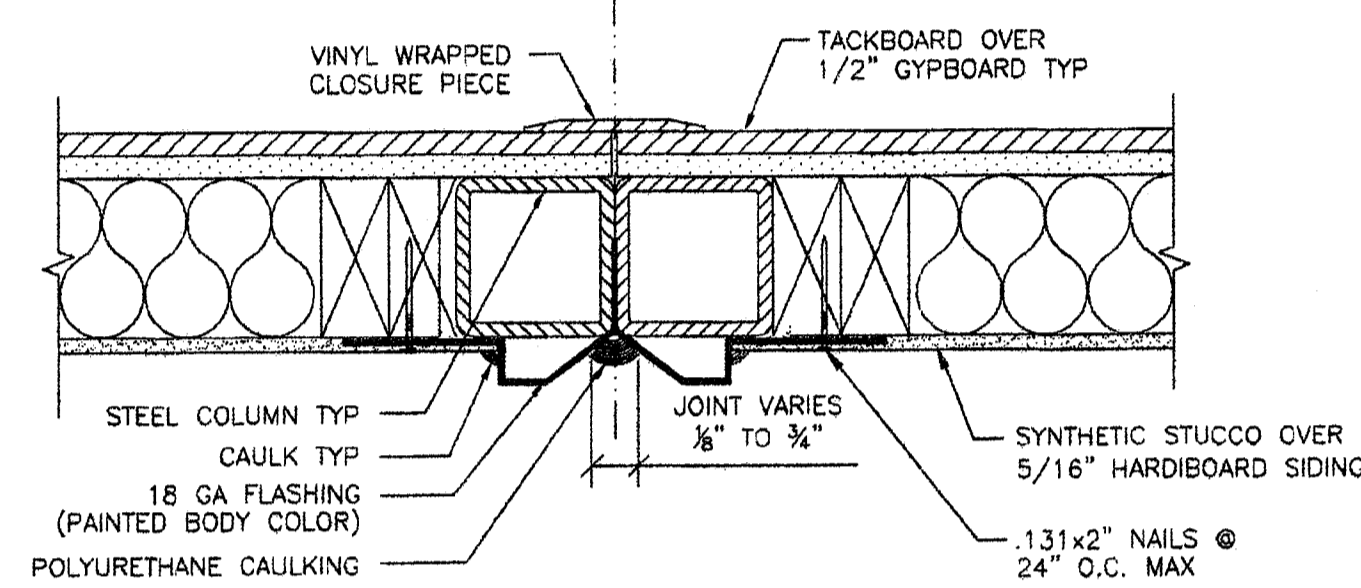
5 DOWNSPOUT ATTACHMENT DETAIL  
ABA 3'-1'-0"



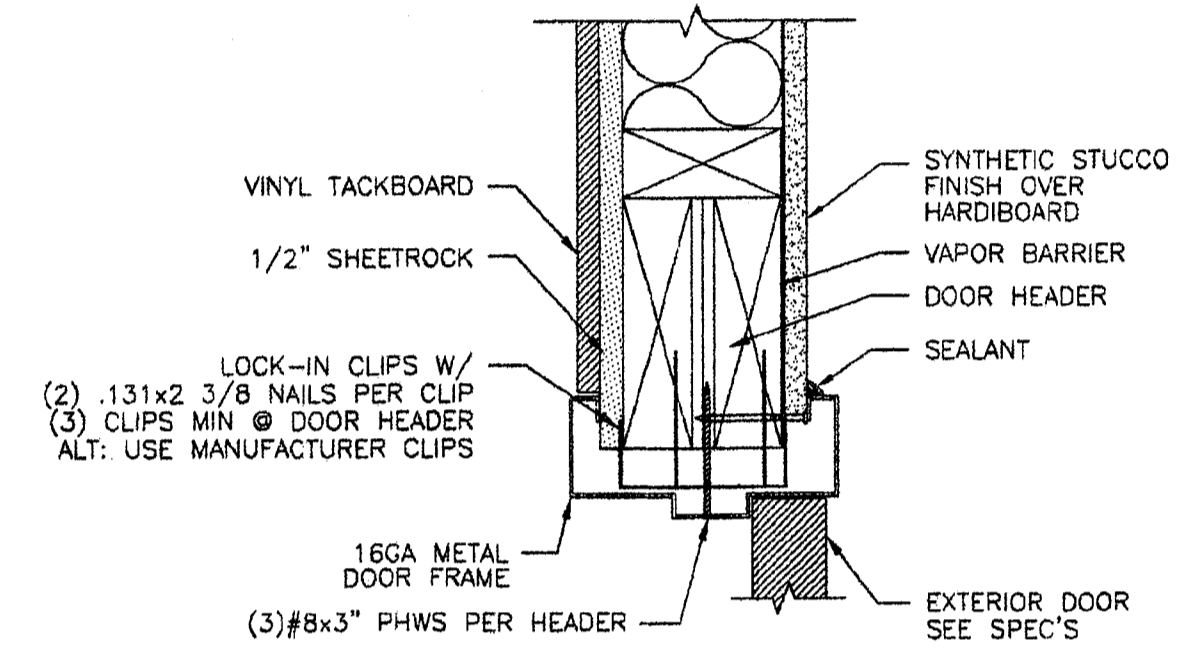
6 TYP INTERIOR DOOR HEADER DETAIL  
ABA 3'-1'-0"



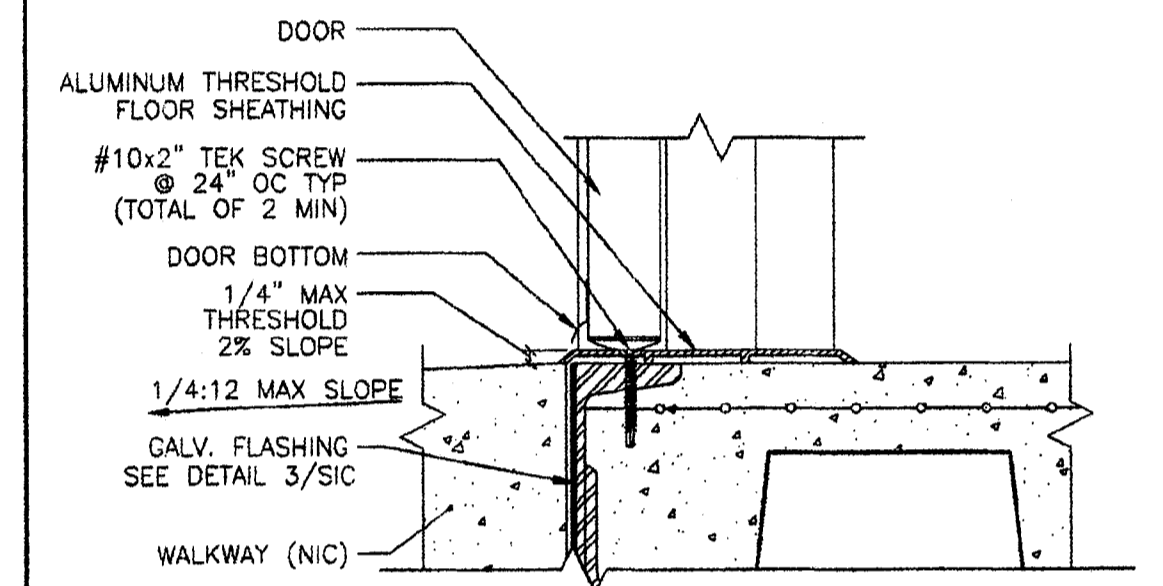
7 FLOORING DETAIL  
ABA 3'-1'-0"



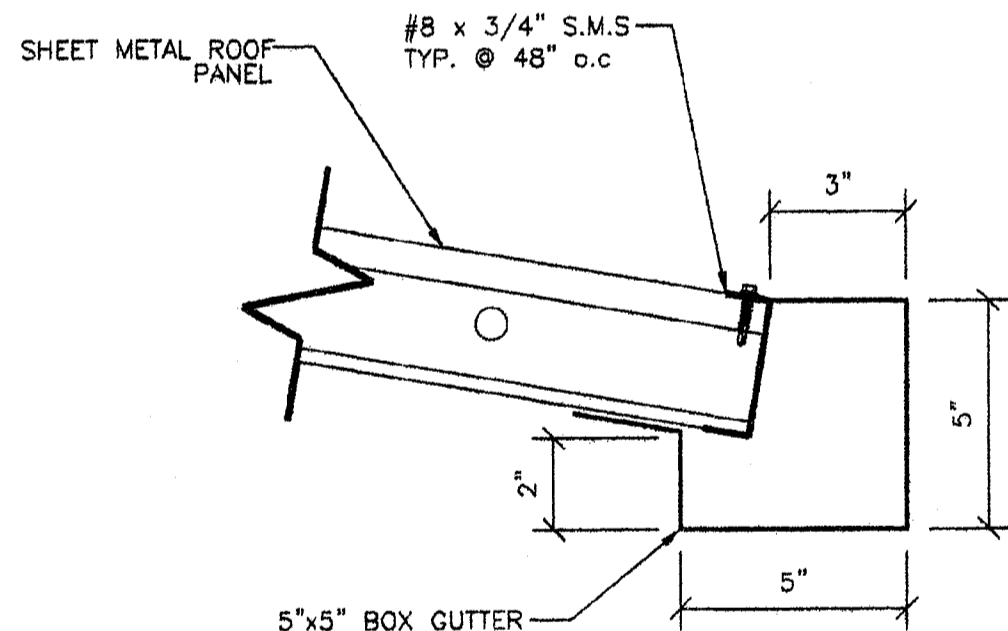
8 TYP MODLINE CLOSURE DETAIL  
ABA 3'-1'-0"



9 TYP DOOR HEADER DETAIL  
ABA 3'-1'-0"



10 THRESHOLD DETAIL  
ABA 1'-1/2'-1'-0"



11 TYP GUTTER ATTACHMENT DETAIL  
ABA 3'-1'-0"

REVISIONS		
NO	DATE	DESCRIPTION

DATE: 3/10/09  
SCALE: NOTED  
DRAWN BY: DM  
SERIAL NO.:

CUSTOMER:  
2 1/2:12 PITCHED ROOF 30' x 32' THRU 120' x 32' RELOCATABLE BUILDINGS  
ARCHITECTURAL DETAILS (SYNTHETIC STUCCO OPTION)



APPROVALS:



IDENTIFICATION STAMP  
DIV. OF THE STATE ARCHITECT  
OFFICE OF REGULATION SERVICES  
No. C12631  
Ren. 2.9.11  
AC 18 FLG SS  
DATE 2-18-09

IDENTIFICATION STAMP  
DIV. OF THE STATE ARCHITECT  
OFFICE OF REGULATION SERVICES  
PC 02-109701  
AC 18 FLG TH SS  
DATE 6/19/09

PROJECT No.  
A5A

THESE DRAWINGS AND SPECIFICATIONS ARE THE PROPERTY OF AMERICAN MODULAR SYSTEMS, INC. AND ARE NOT TO BE REPRODUCED, CHANGED OR COPIED IN ANY FORM OR MANNER, NOR ARE THEY TO BE ASSIGNED TO ANY THIRD PARTY WITHOUT THE WRITTEN APPROVAL OF AMERICAN MODULAR SYSTEMS, INC.