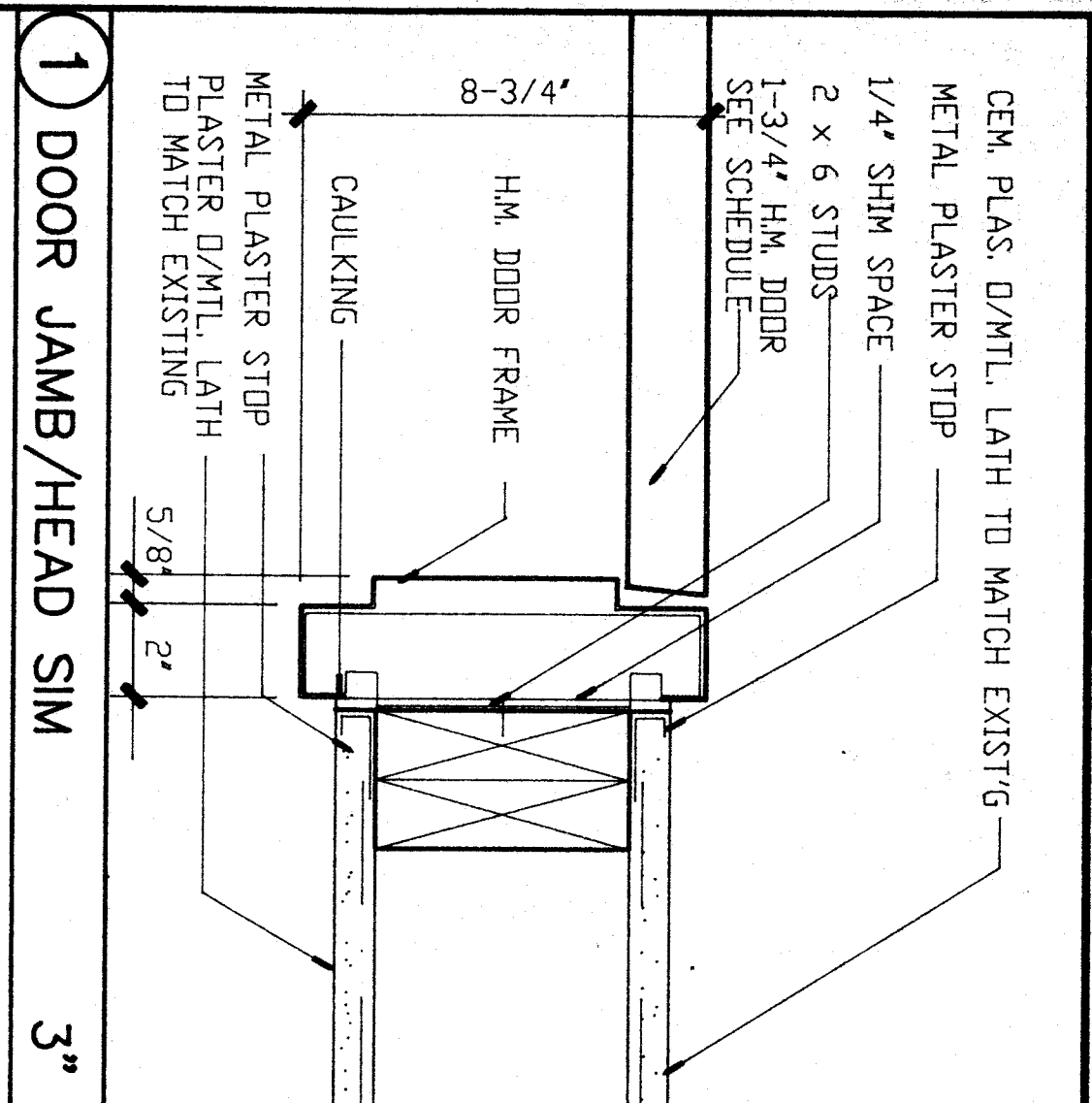


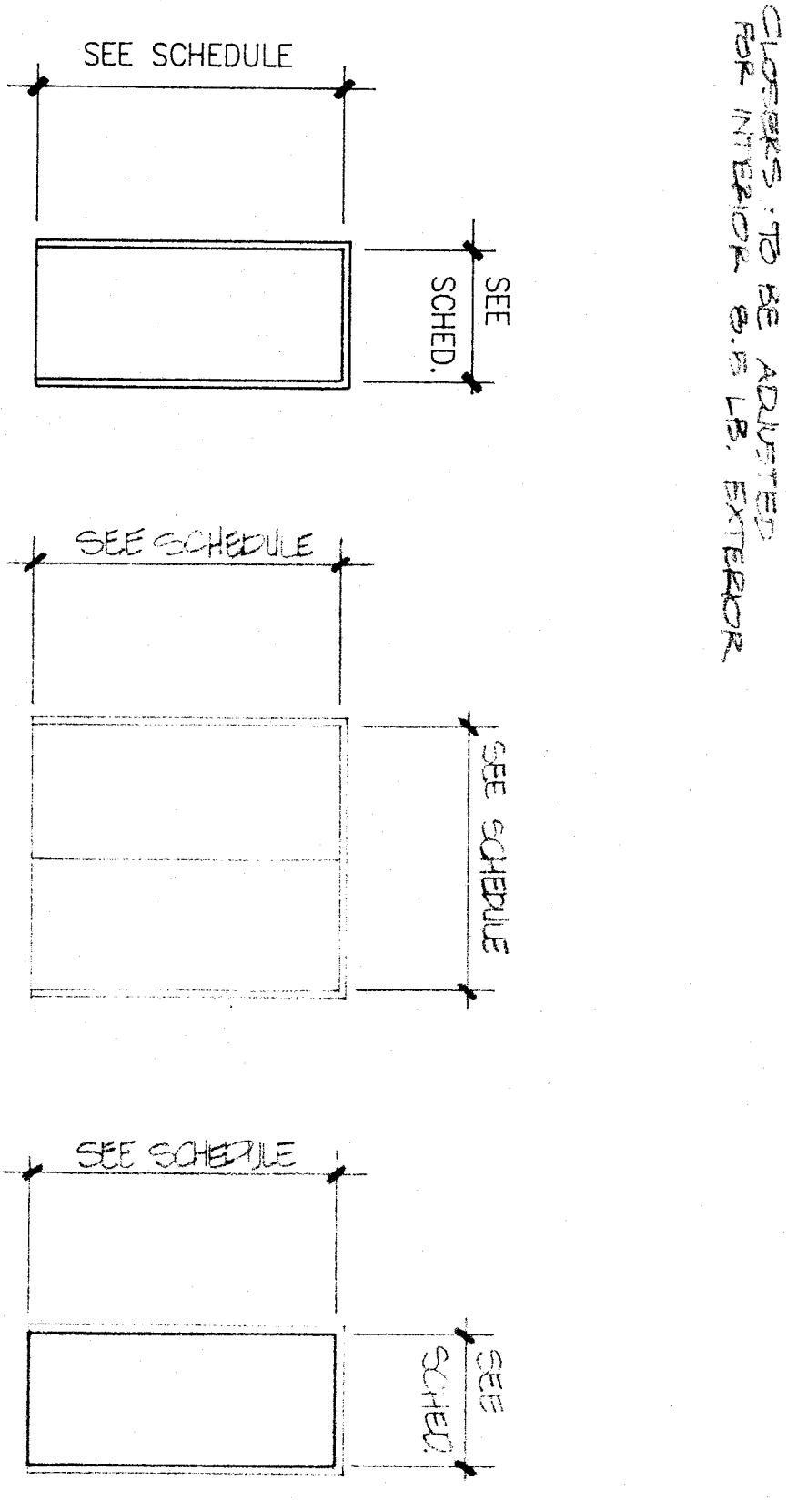
DOOR SCHEDULE



NUMBER	SIGNAGE	SIZE	TYPE	DOOR				HARDWARE				DETAILS				NOTES			
				MATERIAL	FINISH	FRM	FL. CLOSER	EXIT DEVICE	LOCK	KEY SLOT	PUSH PULL	KICK PLT.	MOP. PLT.	S. & HOLD	MISC.		FILL. PLT.	THRES.	W/S
A1		3'-0\"/>																	

NUMBER	SIGNAGE	SIZE	TYPE	DOOR				HARDWARE				DETAILS				NOTES			
				MATERIAL	FINISH	FRM	FL. CLOSER	EXIT DIV.	LOCK	KEY SLOT	PUSH PULL	KICK PLT.	MOP. PLT.	S. & HOLD	MISC.		FILL. PLT.	THRES.	W/S
E1		3'-0\"/>																	

DOOR TYPES



- (A) H.M. DOOR
- (B) EXISTING FRAME
- (C) WOOD DOOR INTO EXISTING WOOD FRAME

DOOR SCHEDULE KEYNOTES

- 1 REMOVE EXISTING DOOR & FRAME
- 2 REFER TO DTL. 1A-5 FOR DETAILS.
- 3 REMOVE (C) DOOR & FRAME, PROVIDE & INSTALL METAL DOOR FRAME & HARDWARE AS NOTED.
- 4 REMOVE (B) DOOR PROVIDE & INSTALL DOOR & HARDWARE AS NOTED.
- 5 (C) DOOR @ THIS LOCATION HAS BEEN PREVIOUSLY REVISED.
- 6 REMOVE (A) DOOR & HARDWARE.

BAKERSFIELD CITY SCHOOL DISTRICT BOARD OF EDUCATION

DATE: 9-3-91

ISSUED FOR: BIDDING

DATE: 9-3-91

APPROVED: [Signature]

APPROVED ARCHITECT

Checked: TWP

Drawn by: R.S.S.

Project No: 86-716FM

Sheet Number: A-9

86160A8296

KEY PLAN

PROJECT

BAKERSFIELD CITY SCHOOL DISTRICT

FREMONT ELEMENTARY SCHOOL MODERNIZATION

CONSULTANTS

Renfro-Russell & Associates, Inc.

4800 Rockwood Highway, Suite 300, Bakersfield, California 93309-3700

Donald W. Renfro, AIA (CI288)

Mark E. Russell, AIA (CI278)

Carl G. Eidel, AIA (CI281)

K. Benjamin Hoffman, AIA (CI780)

Kenneth A. Keller, AIA (CI884)

Jeffrey P. Keusse, AIA (CI283)

Tommy W. Preston, AIA (CI283)

Larry G. Wiggins, AIA (CI284)

