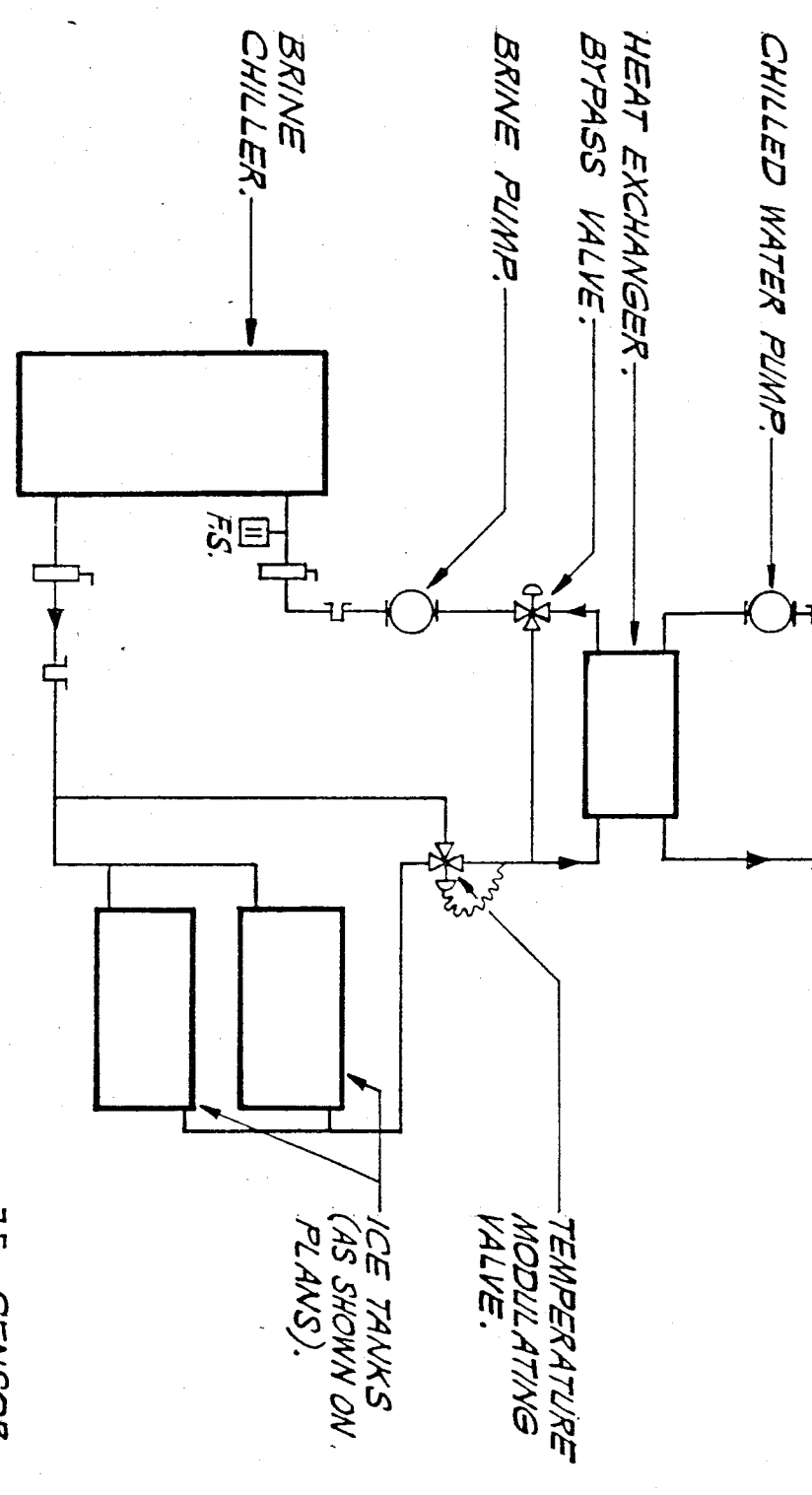
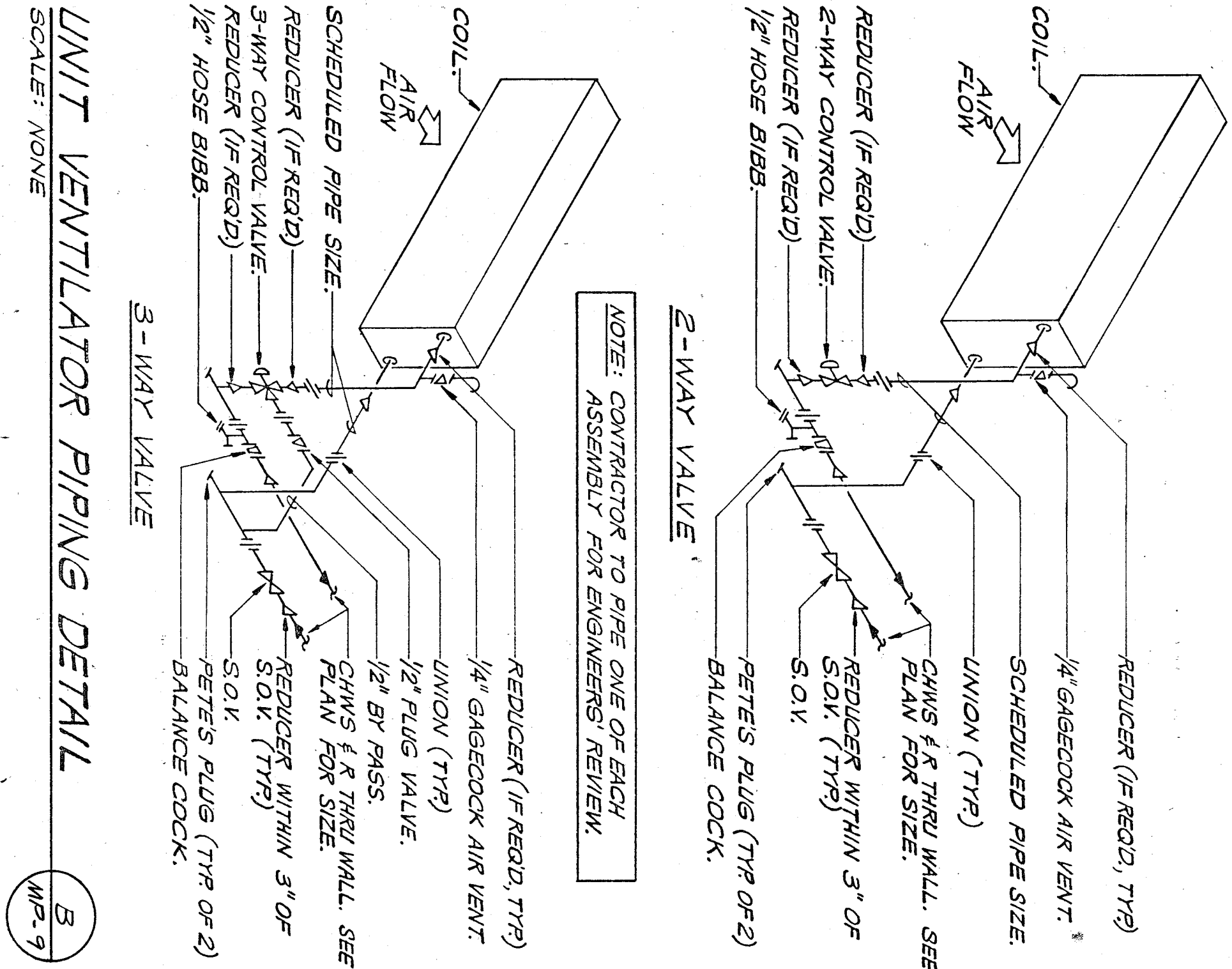


EVAPORATIVE COOLER SCHEDULE	
DESIGNATION	100% (100%)
CFM	3811
E.S.P. (IN WC)	3
FAN HP	3/4
FAN VOLTS/PHASE	115/1/1
PUMP HP	1/20
PUMP VOLTS/PHASE	115/1/1
MANUFACTURER	TRACERWINDS
TYPE	DOWN DRAFT
MODEL NUMBER	TC 571-41/42
OPER. WT. (LBS)	MULTI-USE
ACCESSORIES	295 B.D.D.



CENTRAL PLANT PIPING SCHEMATIC
SCALE: NONE
A
1/2" = 9'

BOILER STACK ECONOMIZER SCHEDULE	
DESIGNATION	100% (100%)
NAME PLATE AMPS	2.2
VOLTS/PHASE	115/1/1
PUMP HP	1/6
BTU RATING	110,500
GN/P/D (FT)	24 / 2.4
ENT/L/RT (°F)	130 / 139.2
TR. (°F)	9.2
FLUE DILATE TEMP	16 / 250
MANUFACTURER	TRACERWINDS
TYPE	ANK-JT
MODEL NUMBER	MECHANICAL ROOM
LOCATION	180
OPER. WT. (LBS)	SEE SPECS
ACCESSORIES	SEE SPECS



UNIT VENTILATOR PIPING DETAIL
SCALE: NONE
B
1/2" = 9'

PACKAGE AIR CONDITIONING UNIT SCHEDULE	
DESIGNATION	100% (100%)
NOMER LATE AMPS	16.8
VOLTS/PHASE	208-230/1
CFM	9.5
SEER AT AIR	1000
DUCT SP. (IN WC)	4
MIN. OSA (CFM)	100
HP/SPEED	1/3.5
DRIVE	DIRECT
MAX. RISE SIZE	30
SENSIBLE (MMH)	21.9
TOTAL (MMH)	23.6
EMB/ENAB (°F)	80 / 64
AMB AIR (°F)	105
COOLING	40.0
OUTPUT (MMH)	32.0
FUEL	NATURAL GAS
HEATING	40.0
QUANTITY/SIZE	1) 25" x 20" x 2"
TYPE	PARK 30/30
MANUFACTURER	PATYNE
TYPE	GAS/ELECTRIC
MODEL NUMBER	590A/230040
LOCATION	MISC./MECHANICAL ROOM
OPER. WT. (LBS)	470
ACCESSORIES	1)

FAN COIL SCHEDULE	
DESIGNATION	100% (100%)
CFM	400
ESP (IN WC)	-
MIN. OSA	25
HP	1/5
VOLTS/PHASE	115/1/1
MOTOR TYPE	PSC
SENSIBLE (MMH)	8.8
TOTAL (MMH)	11.6
EMB/ENAB (°F)	80 / 67
GN/P/D (FT)	2.4 / 9.5
ENT. (°F)	45
BRANCH SIZE	3/4"
VALVE TYPE	2-WAY
CAPACITY (MMH)	12.0
GN/P/D (FT)	2.4
ENT/ENT (°F)	120 / 64
BRANCH SIZE	3/4"
VALVE TYPE	2-WAY
HEATING	12.0
QUANTITY/SIZE	1) 8" x 22" x 1"
TYPE	DISPOSABLE
MANUFACTURER	M-CALWAY
TYPE	FLOOR MOUNT
MODEL NO.	TSF 241D
LOCATION	BUILDING 800
OPER. WT. (LBS)	105
ACCESSORIES	3" x 3" DRAINAGE W/ DRAINER

EXHAUST FAN SCHEDULE	
DESIGNATION	100% (100%)
CFM	230
ESP (IN WC)	1.23
HP/AMPS	- / 1/25
VOLTS/PHASE	115/1/1
RPM	1050
TTP SPEED/SIZES	- / 2.5
DRIVE	DIRECT
MOUNTING	CEILING
MANUFACTURER	PSAW
TYPE	ZERBYK
MODEL NUMBER	Z-8
CONTROL	MERCK LIGHTS
LOCATION	TOILET ROOMS
OPER. WT. (LBS)	22
ACCESSORIES	B.D.D.

GRILLE SCHEDULE		
MARK	DUTY	DESCRIPTION
A	CEILING SUPPLY	TITUS TDC-3 LOWER FACE SQUARE OR RECTANGULAR NECK DIFFUSER FOR STD. LAN-TR CEILING, WITH 0.8" O.D., FLAT BLACK INTERIOR, AND NO. 25 OFF-WHITE FINISH.
B	CEILING RETURN	TITUS TAR (TYPE C) PERFORATED FACE SQUARE OR RECTANGULAR NECK DIFFUSER FOR STD. CEILING, WITH 0.8" O.D., FLAT BLACK INTERIOR AND NO. 25 OFF-WHITE FINISH.
C	WALL RETURN	TITUS CORE 25-RL-5 STEEL RETURN REGISTER, WITH 0.8" O.D. AND NO. 25 OFF-WHITE FINISH.
D	RELIEF GRILLE	TITUS CORE 25-RL-5 STEEL GRILLE, NO. 25 OFF-WHITE FINISH.
E	LOWER	SNIP FABRICATED OF 20 GA. GALVANIZED SHEET METAL WITH 1/2" MESH SCREEN ON INSIDE FACE, 50% FREE AREA, PAINT FOR PAINT.

HEAT EXCHANGER SCHEDULE	
DESIGNATION	100% (100%)
CFM (BRINE)	224
ENT/L/RT (°F)	40 / 49.5
TR. (°F)	4.6
CAPACITY (MMH)	4.52
GN (WATER)	230
ENT/L/RT (°F)	54 / 44
TR. (°F)	3.2
GN/P/D (FT)	3.2
NUMBER OF PLATES	197
TYPE	PLATE & FRAME
MANUFACTURER	BEAL & GOSSETT
MODEL NUMBER	GNX-228
LOCATION	CHILLER TANK
OPER. WT. (LBS)	1500
ACCESSORIES	SEE SPECS

UNIT VENTILATOR SCHEDULE	
DESIGNATION	100% (100%)
CFM	1500
MIN. OSA (CFM)	200
AMPS / HP	4.1 / 1/2
VOLTS/PHASE	115 / 1
TYPE	-
SENSIBLE (MMH)	41.1
TOTAL (MMH)	47.1
EMB/ENAB (°F)	80 / 64
GN/P/D (FT)	12 / 13.2
ENT (°F)	45
P-F. SIZE	1"
VALVE TYPE	2-WAY *
HEATING CAP (MMH)	47.0
EMB (°F)	64
GN/P/D (FT)	12 / 13.2
ENT (°F)	120
P-F. SIZE	1"
VALVE TYPE	2-WAY *
TYPE	-
HEATING COIL	47.0
QUANTITY/SIZE	2) 25" x 9" x 1"
TYPE	DISPOSABLE
MANUFACTURER	MIS
MODEL NO.	7505 / 500
OPER. WT. (LBS)	700
ACCESSORIES	SEE SPECS.

PUMP SCHEDULE	
DESIGNATION	100% (100%)
HP	460 / 3
VOLTS/PHASE	460 / 3
RPM	1750
GN/TH (FT)	230 / 45
EFFICIENCY (%)	69
MANUFACTURER	BEAL & GOSSETT
TYPE	IN-LINE
MODEL NUMBER	SERIES 80 244
LOCATION	MECH ROOM
OPER. WT. (LBS)	275
ACCESSORIES	FACTORY BASE
DESIGNATION	100% (100%)
HP	460 / 3
VOLTS/PHASE	460 / 3
RPM	1750
GN/TH (FT)	127 / 57
EFFICIENCY (%)	71
MANUFACTURER	BEAL & GOSSETT
TYPE	IN-LINE
MODEL NUMBER	SERIES 80 244
LOCATION	MECH ROOM
OPER. WT. (LBS)	245
ACCESSORIES	FACTORY BASE

BOILER SCHEDULE	
DESIGNATION	100% (100%)
NAME PLATE AMPS	115/1/1
VOLTS/PHASE	115/1/1
INPUT (MMH)	1500
OUTPUT (MMH)	1200
GN/P/D (FT)	60 / 7.5
ENT/L/RT (°F)	130 / 170
FUEL	NATURAL GAS
MANUFACTURER	ALUX
TYPE	WATER TUBE
MODEL NUMBER	W3-1500
LOCATION	MECHANICAL ROOM
OPER. WT. (LBS)	3150
ACCESSORIES	SEE SPECS.

BRINE CHILLER SCHEDULE	
DESIGNATION	100% (100%)
MODE	ICE MAKING
CAPACITY (TONS)	43.2
UNIT FLA	132
VOLTS/PHASE	460 / 3
TEER	9.4
MAX FUSE	250
QUANTITY	2
MANUFACTURER	BEAL & GOSSETT
MODEL NUMBER	GNX-228
LOCATION	CHILLER TANK
OPER. WT. (LBS)	959
ACCESSORIES	SEE SPECS.

ICE STORAGE TANK SCHEDULE	
DESIGNATION	100% (100%)
AMAL STORAGE (TON-HR)	134
FLK RATE (GPM)	44.7
HEAD (FT. HG.)	12.7
AVE. LOAD (TONS)	13.9
PEAK LOAD (TONS)	16.0
TIME OF DRAW (HRS)	8
CHARGE RATE (TONS)	10.5
CHARGE TIME (HRS)	11.0
PIPE CONNECTION (IN.)	2 1/2
MANUFACTURER	CALMAC
MODEL	1190
WT FILLED (LBS)	10,750
ACCESSORIES	SEE SPECS.

SCHEDULES	
37-127	37-127
115-24	115-24
MP-9	MP-9

Donald R. Langford & Associates
CONSULTING ARCHITECTS/PLANNERS/ENGINEERS
1000 23RD STREET, SUITE 1000, BERKELEY, CA 94710
PH: 415-841-1100 FAX: 415-841-1101

DR. GERTH
C-2889
C-3132
* C-6884
© copyrighted 1997

bjgc inc.
architects/planners
31 south main road, box 9808
davenport, iowa 52009
563-322-8122

HORACE MANN MODERNIZATION
BAKERSFIELD CITY SCHOOL DISTRICT
2710 NILES AVENUE
BAKERSFIELD, CALIFORNIA 93307

37-127

MP-9