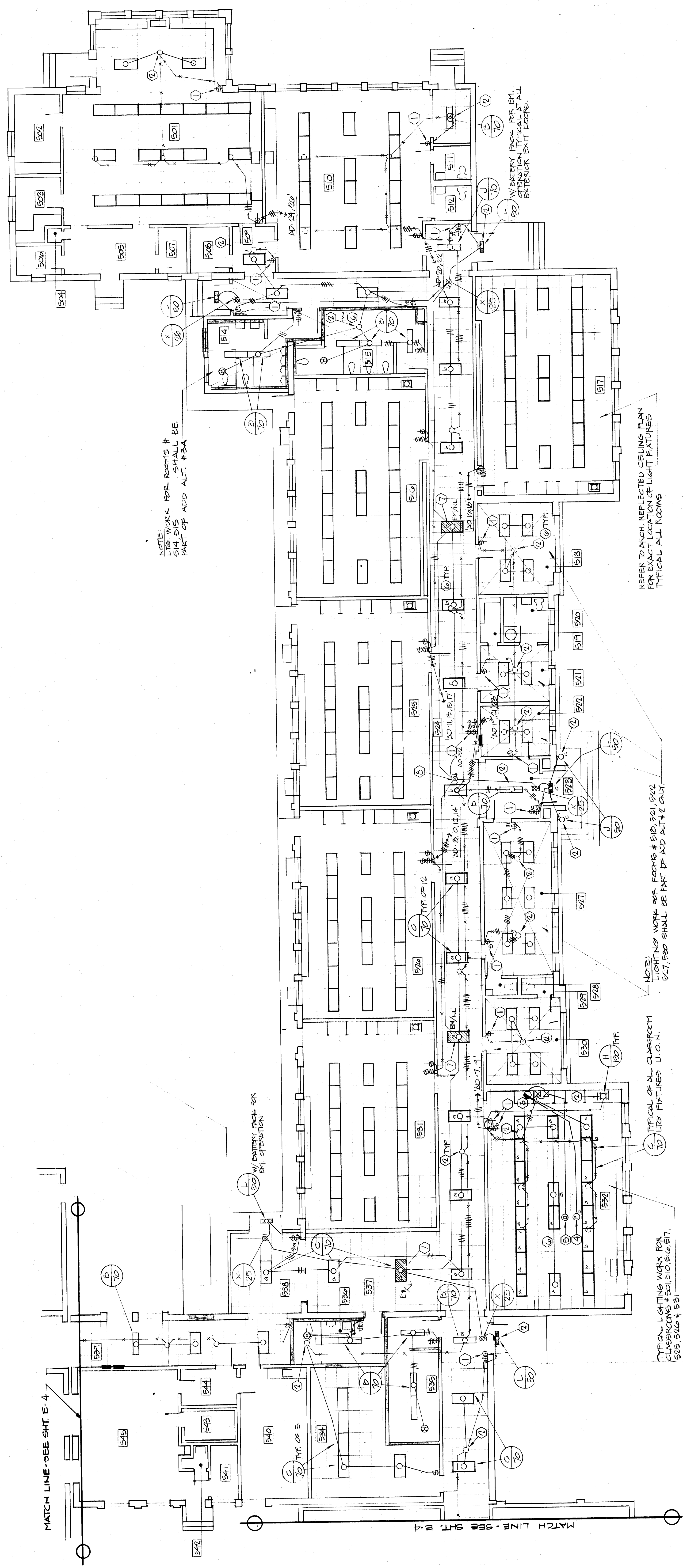


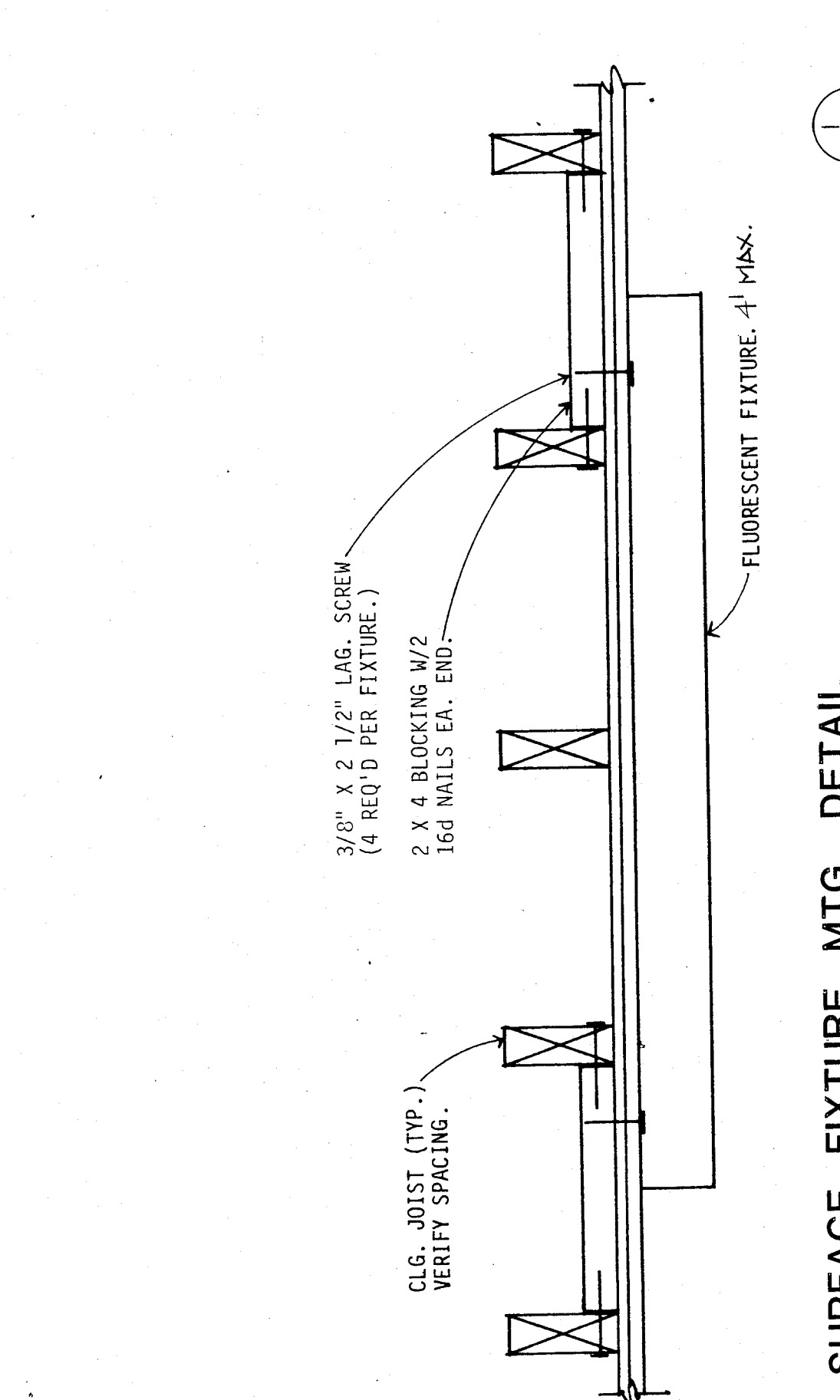
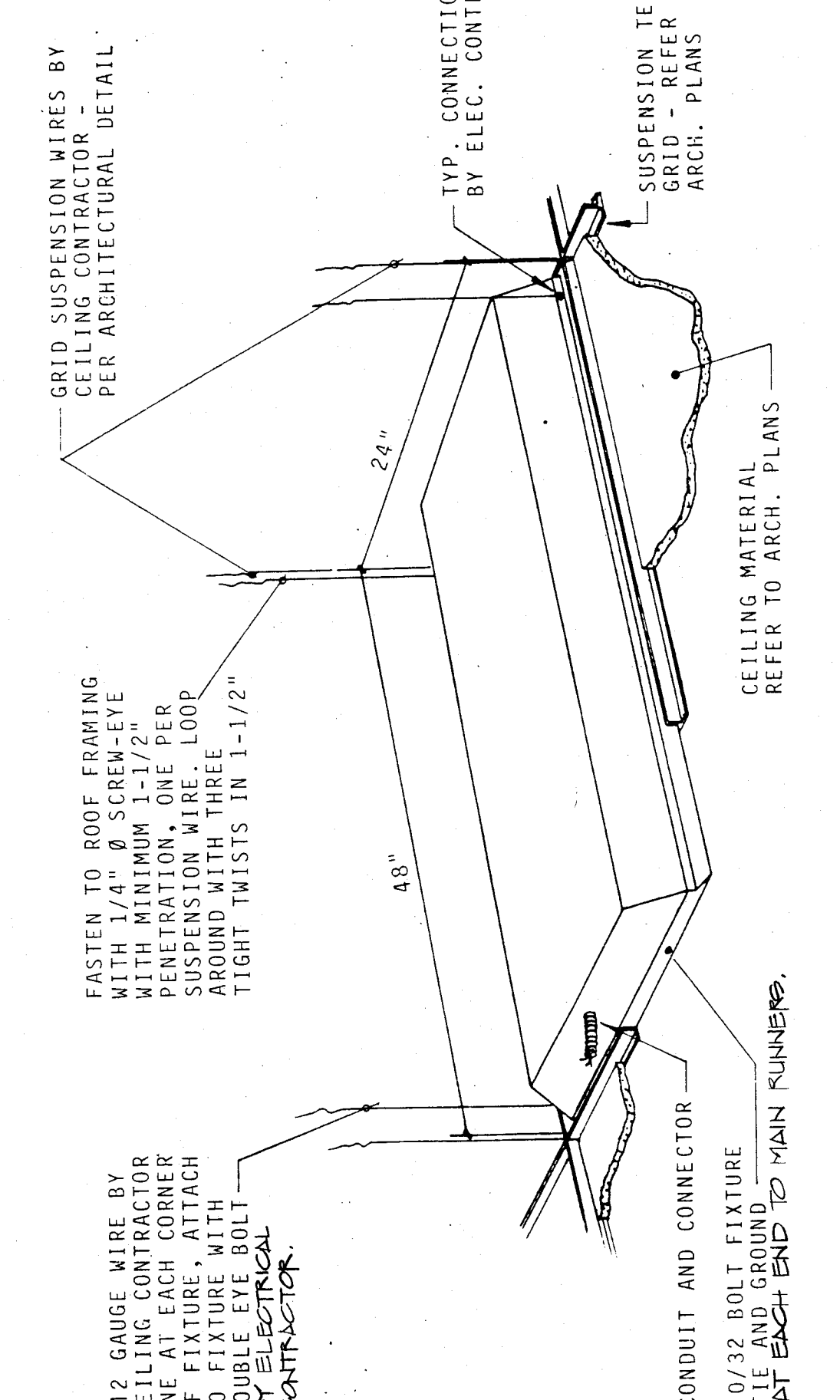
MATCH LINE - SEE SHT. E-2



1/8" = 1'-0"

**BUILDING 500 FLOOR PLAN - LIGHTING**

- REFERENCE NOTES (THIS SHEET ONLY):
- 1 REPLACE EXISTING WALL SWITCHES AND PLATE.
  - 2 CONNECT NEW FIXTURES TO EXISTING CIRCUITS.
  - 3 AUTOMATIC TUNING CONTROL MOUNTED ABOVE CEILING SUSPENSION WIRE LOOP. SEE WIRING DIAGRAM ON SHEET E-4.
  - 4 PHOTO ELECTRIC CELL MOUNTED ON CEILING MINIMUM 12" FROM WALL OR WINDOW. SEE WIRING DIAGRAM ON SHEET E-4.
  - 5 MOTION SENSOR MOUNTED ON CEILING APPROXIMATELY 8' FROM WALL. SEE WIRING DIAGRAM ON SHEET E-4.
  - 6 REMOVE ALL EXISTING LIGHT FIXTURES IN CLASSROOMS AND OFFICES. COORDINATE WITH NOTES E-2.
  - 7 LIGHT FIXTURE SIMILAR TO TYPE C BUT EQUIPPED WITH BATTERY PACK FOR EMERGENCY OPERATION.
  - 8 EXIST LIGHT FIXTURE SIMILAR TO TYPE X BUT DOUBLE END WITH ARROWS AS SHOWN.



RECESSED FIXTURE MTG. DETAIL  
N.T.S.

SURFACE FIXTURE MTG. DETAIL  
N.T.S.

NOTE:  
LIG WORK FOR ROOMS # 510, 511, 512, 513, 514, 515, 516, 517, 518, 519, 520, 521, 522, 523, 524, 525, 526, 527, 528, 529, 530, 531, 532, 533, 534, 535, 536, 537, 538, 539, 540, 541, 542, 543, 544, 545, 546, 547, 548, 549, 550, 551, 552, 553, 554, 555, 556, 557, 558, 559, 560, 561, 562, 563, 564, 565, 566, 567, 568, 569, 570, 571, 572, 573, 574, 575, 576, 577, 578, 579, 580, 581, 582, 583, 584, 585, 586, 587, 588, 589, 590, 591, 592, 593, 594, 595, 596, 597, 598, 599, 600 SHALL BE PART OF ADD ALT #3A

REFER TO ARCH. REFLECTED CEILING PLAN FOR EXACT LOCATION OF LIGHT FIXTURES TYPICAL ALL ROOMS

NOTE:  
LIGHTING WORK FOR ROOMS # 510, 511, 512, 513, 514, 515, 516, 517, 518, 519, 520, 521, 522, 523, 524, 525, 526, 527, 528, 529, 530, 531, 532, 533, 534, 535, 536, 537, 538, 539, 540, 541, 542, 543, 544, 545, 546, 547, 548, 549, 550, 551, 552, 553, 554, 555, 556, 557, 558, 559, 560, 561, 562, 563, 564, 565, 566, 567, 568, 569, 570, 571, 572, 573, 574, 575, 576, 577, 578, 579, 580, 581, 582, 583, 584, 585, 586, 587, 588, 589, 590, 591, 592, 593, 594, 595, 596, 597, 598, 599, 600 SHALL BE PART OF ADD ALT #2 ONLY

TYPICAL OF ALL CLASSROOM LIG FIXTURES U.O.N.

TYPICAL LIGHTING WORK FOR ROOMS # 501, 502, 503, 504, 505, 506, 507, 508, 509, 510, 511, 512, 513, 514, 515, 516, 517, 518, 519, 520, 521, 522, 523, 524, 525, 526, 527, 528, 529, 530, 531, 532, 533, 534, 535, 536, 537, 538, 539, 540, 541, 542, 543, 544, 545, 546, 547, 548, 549, 550, 551, 552, 553, 554, 555, 556, 557, 558, 559, 560, 561, 562, 563, 564, 565, 566, 567, 568, 569, 570, 571, 572, 573, 574, 575, 576, 577, 578, 579, 580, 581, 582, 583, 584, 585, 586, 587, 588, 589, 590, 591, 592, 593, 594, 595, 596, 597, 598, 599, 600

MATCH LINE - SEE SHT. E-4

MATCH LINE - SEE SHT. E-1

approved